

4

3

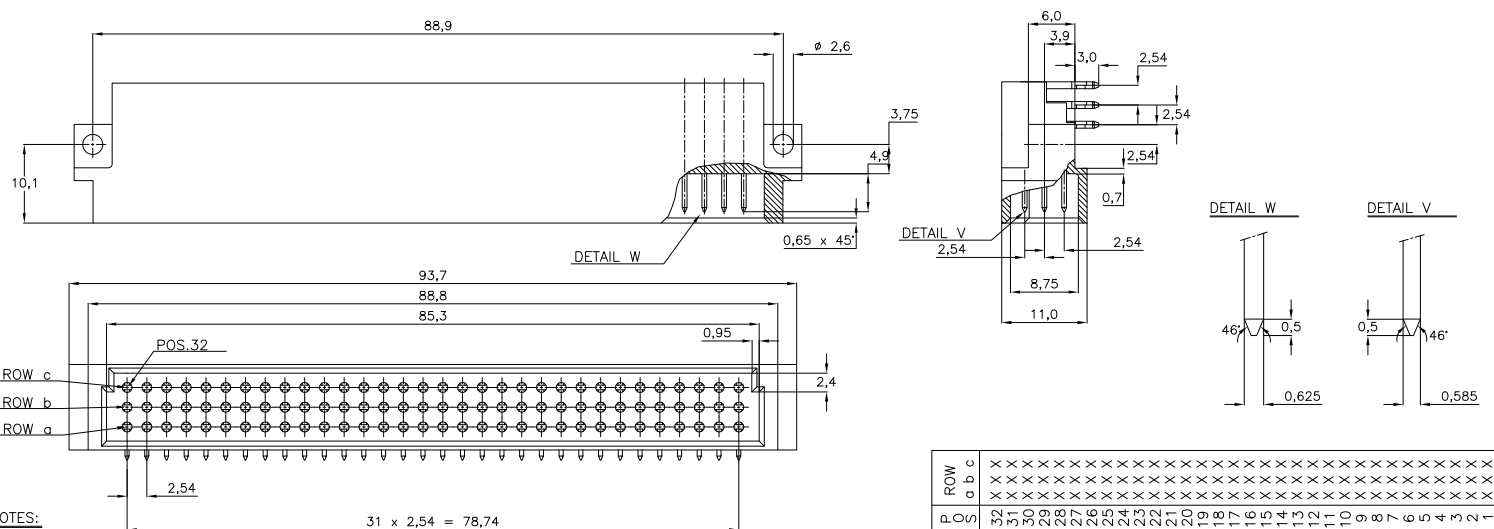
2

1

THIS DRAWING IS UNPUBLISHED. RELEASED FOR PUBLICATION
 © COPYRIGHT - By - ALL RIGHTS RESERVED.

LOC	DIST	REVISIONS					
		P	LTR	DESCRIPTION	DATE	DWN	APVD
H	-	C		EH-0927-95	03-08-95	JG	-
		D		EH-1254-96	13-06-97	JG	-
		E		ECR-07-011431	05-06-07	BSV	MKO
		E1		ECR-11-010165	16JUN11	RK	MKO

P.C.B. HOLE DIM. ACTION PIN
 DRILLED HOLE :1,15 ±0,025 mm
 FIN. HOLE :0,94 to 1,09 mm
 AFTER REFLOW :0,91 to 1,09 mm
 Cu-thks :0,025 to 0,075 mm
 Sn-thks :0,004 to 0,010 mm



- NOTES:
- MATERIAL:
 - HOUSING: THERMOPL.POLYESTER COLOUR : GREY
 - CONTACTS: PHOSPHORBRONZE
 - PLATING CONTACT :
 - 1 : 1,25 µm Au OVER 1,25 µm Ni AT CONNECTOR MATING SIDE. 2,54 µm Sn OVER 1,25 µm Ni AT ACTION-PIN AREA.
 - 4 : 0,8µm Au OVER 1,25 µm Ni AT CONTACT AREA. 2,54 µm Sn OVER 1,25 µm Ni AT ACTION-PIN AREA.
 - 7 : 2,0 µm Au OVER 1,25 µm Ni AT CONNECTOR MATING SIDE. 2,54 µm Sn OVER 1,25 µm Ni AT ACTION-PIN AREA.
 - 8 : 0,4µm Au OVER 1,25 µm Ni AT CONNECTOR MATING SIDE. 2,54 µm Sn OVER 1,25 µm Ni AT ACTION-PIN AREA.
 - 9 : SAME AS -4 EXCEPT WITHOUT Sn

AN ASTERISK „X” DENOTES A CONTACT.

OBSOLETE	SEE NOTE	SEE NOTE	215605-0
OBSOLETE	SEE NOTE	SEE NOTE	215605-8
OBSOLETE	SEE NOTE	SEE NOTE	215605-7
	SEE NOTE	SEE NOTE	215605-4
	SEE NOTE	SEE NOTE	215605-1
		MATERIAL	PARTNUMBER

THIS DRAWING IS A CONTROLLED DOCUMENT.

DIMENSIONS: mm	TOLERANCES UNLESS OTHERWISE SPECIFIED:	DWN R.V.LOKVEN 16DEC86	 TE Connectivity
		CHK J.GIBBELS	
		APVD -	
		NAME -	
		PRODUCT SPEC -	96 POS. DIN 41612 TYPE C-MALE CONN. WITH ACTION PIN FOR 1,6 P.C.B. THK'S
		APPLICATION SPEC -	
MATERIAL -	FINISH -	WEIGHT -	RESTRICTED TO -
		SIZE A3	CAGE CODE 00779
			DRAWING NO C-215605
		CUSTOMER DRAWING	SCALE NTS SHEET 1 of 1 REV E1