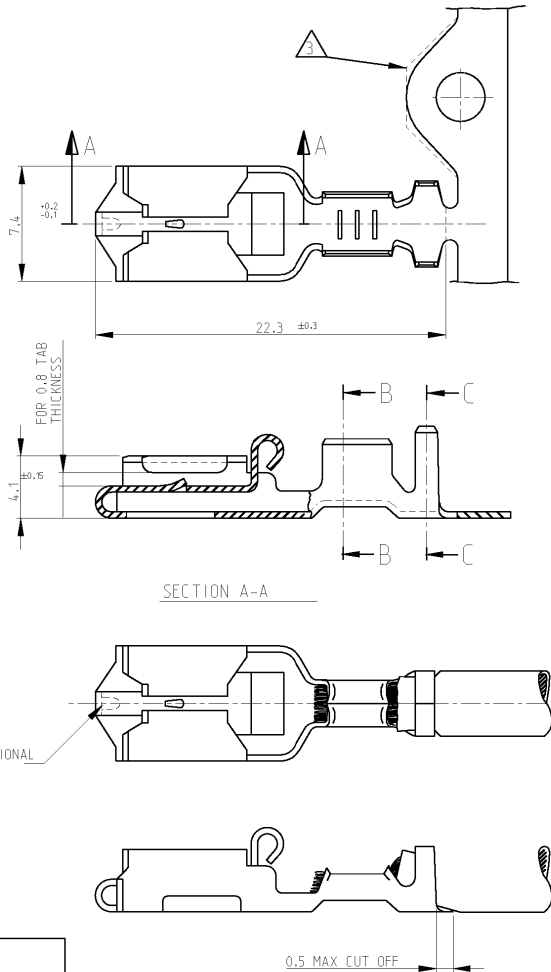
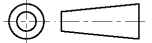


DO NOT SCALE
DIMENSIONS IN mm

METRIC

THIRD ANGLE
PROJECTION



WIRE RANGE :	1.0-2.5 mm ²
INSULATION RANGE :	3.0-4.3mm DIA.

NOTES:

- 1 FOR USE ON MINIATURE APPLICATOR (LEFT-RIGHT FEED)
- 2 REELED WITH PAPER.
- 3 CONFIGURATION OF CARRIER-STRIP OPTIONAL.
- 4 FOR USE ON MINIATURE APPLICATOR (LEFT-RIGHT FEED) AMP-O-MATOR APPLICATION.
- 5 OBSOLETE PARTS: OBSOLETE CIS STREAMLINING PER D.RENAUD/D.SINISI

FINISH	MATERIAL	PART NUMBER
OBSOLETE	PRE-TIN PLATED PH.BRONZE	0-160831-8
	PRE-TIN PLATED BRASS	0-160831-7
OBSOLETE	TIN PLATED PH.BRONZE	0-160831-2
	UNPLATED BRASS	0-160831-1
OBSOLETE	TIN PLATED BRASS	0-160831-6
	UNPLATED NICKEL-SILVER	0-160831-9
OBSOLETE	SILVERPLATED PH.BRONZE	0-160831-8
	SILVERPLATED BRASS	0-160831-7
OBSOLETE	UNPLATED BRASS	0-160831-6
	UNPLATED PH.BRONZE	0-160831-5
TIN PLATED	PH.BRONZE	0-160831-4
TIN PLATED	BRASS	0-160831-3
UNPLATED	PH.BRONZE	0-160831-2
UNPLATED	BRASS	0-160831-1

M2 ECO-11-005294				RK	HMR 19APR11	CUSTOMER DRAWING		FOR REFERENCE ONLY WILL NOT BE UPDATED	
LTR. REVISION RECORD						THIS DRAWING IS UNPUBLISHED RELEASED FOR PUBLICATION			
DR. J.v.LIEMPT DATE: 07 FEB 97						TE Connectivity			
CHK. M.vORIEL DATE: 18 FEB 02						NAME			
APP. M.v.DRIEL DATE: 18 FEB 02						POSITIVE LOCK RECEPTACLE .250 (6.35) SERIES			
DWG.No. C-160831						REV.LTR. M2			
SHEET 1 OF 1									