

4

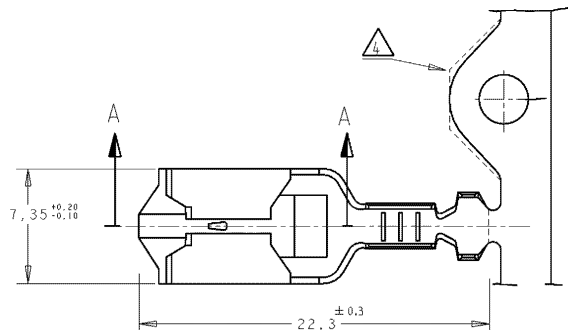
3

2

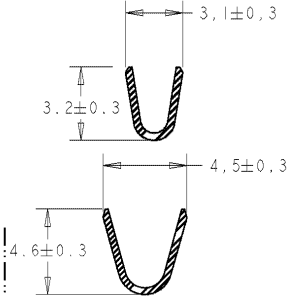
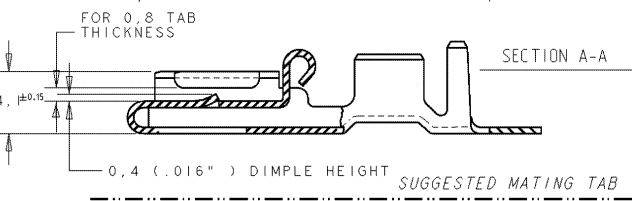
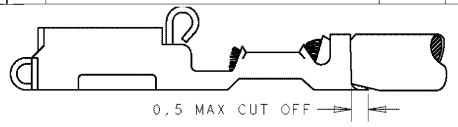
1

THIS DRAWING IS UNPUBLISHED. RELEASED FOR PUBLICATION
 © COPYRIGHT 20 BY TYCO ELECTRONICS CORPORATION. ALL RIGHTS RESERVED.

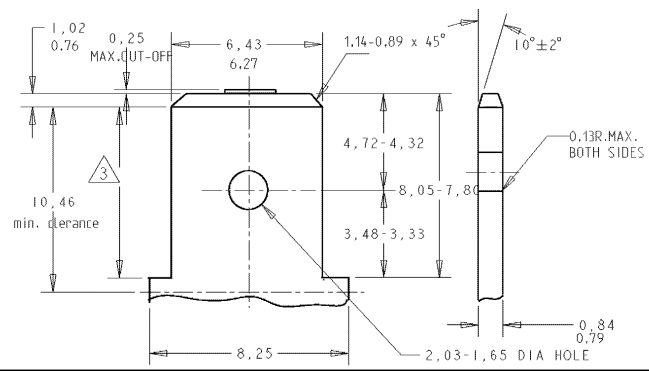
LOC AL DIST 2 REVISIONS



- NOTES:
- 1 FOR USE ON STANDARD APPLICATOR (RIGHT-LEFT FEED)
 - 2 FOR USE ON MINIATURE APPLICATOR (LEFT-RIGHT FEED)
 - 3 FOR USE ON MINIATURE APPLICATOR (LEFT-RIGHT FEED) AMPOMATOR APPLICATION.
 - 4 CONFIGURATION OF CARRIER-STRIP OPTIONAL
 - 5 OBSOLETE PARTS: OBSOLETE CIS STREAMLINING PER D.RENAUD/D.SINISI



- 1- MATL. 1/2H BRASS OR NICKEL PL. STEEL.
- 2- NO BURRS PERMISSIBLE AT HOLE
- 3- MUST BE FLAT WITHIN 0.076 OVER THIS LENG.
- 4- TIN PLATING IS REQUIRED ON BRASS WHEN TERMINAL TEM. IS OVER 225°F
- 5- HOLE MUST BE SYMETRICAL ABOUT TAB ϕ WITHIN 0.076



P	LTR	DESCRIPTION	DATE	BY	APVD
AC		REVISED BY ES00-0040-02	02APR02	J.L	J.L
AD		REVISED BY ES00-05-0095	14/DEC/05	J.L	JL
AD1		REVISED PER ECO-10-000444	09JAN10	KK	AEQ
AD2		ECR-10-009742	29JUN10	RK	SRE
AD3		ADDED NEW DASH 3-160759-4	22MAR11	J.S.	L.B.
AD4		UPDATED TE CONNECTIVITY LOGO	04APR2011	J.S.	L.B.

OB SOLETE	UNPLATED & DEGREASED	NICKEL SILVER	3-160759-4
	UNPLATED	NICKEL SILVER	3-160759-3
	UNPLATED	NICKEL SILVER	3-160759-3
	TIN PLATED	PH.BRONZE	3-160759-0
	UNPLATED	NICKEL SILVER	2-160759-9
	HOT DIP PRETIN.	PH.BRONZE	2-160759-0
	TIN-LEAD	PH.BRONZE	2-160759-7
	SILVERPLATED	BRASS	2-160759-4
	UNPLATED	BRASS	2-160759-5
	HOT DIP PRETIN.	BRASS	2-160759-4
	TIN PLATED	BRASS	2-160759-3
	NICKEL PLATED	PH.BRONZE	2-160759-2
	NICKEL PLATED	PH.BRONZE	2-160759-1
	SILVERPLATED	PH.BRONZE	1-160759-9
	HOT DIP PRETIN.	PH.BRONZE	1-160759-4
	HOT DIP PRETIN.	BRASS	1-160759-3
	HOT DIP PRETIN.	PH.BRONZE	1-160759-2
	HOT DIP PRETIN.	BRASS	1-160759-1
	PRETINNED	PH.BRONZE	1-160759-0
	TIN PLATED	PH.BRONZE	0-160759-9
	TIN PLATED	BRASS	0-160759-8
	UNPLATED	PH.BRONZE	0-160759-7
	UNPLATED	BRASS	0-160759-6
	PRETINNED	PH.BRONZE	0-160759-5
	TIN PLATED	PH.BRONZE	0-160759-4
	TIN PLATED	BRASS	0-160759-3
	UNPLATED	PH.BRONZE	0-160759-2
	UNPLATED	BRASS	0-160759-1
	FINISH	MATERIAL	PARTNUMBER

DIMENSIONS: mm TOLERANCES UNLESS OTHERWISE SPECIFIED: 0 PLC ± 1 PLC ± 2 PLC ±0,3 GENERAL 3 PLC ± 4 PLC ± ANGLES ±		OWN J.7 16-11-95 CHK A. BLJNEN 17-11-95 APVD - NAME - PRODUCT SPEC 108-3017 APPLICATION SPEC - WEIGHT - MATERIAL SEE TABLE FINISH SEE TABLE	16-11-95 NAME - PRODUCT SPEC 108-3017 APPLICATION SPEC - WEIGHT - MATERIAL SEE TABLE FINISH SEE TABLE	TE TE Connectivity POSITIVE LOCK REC. .250 (6,35) SERIES SIZE CAGE CODE DRAWING NO. RESTRICTED TO A3 100779 C-160759 CUSTOMER DRAWING SCALE SHEET OF REV AD4
--	--	---	---	---

AMP 1470-19 REV 31MAR2000

Proj/ENGINEER DRAWING