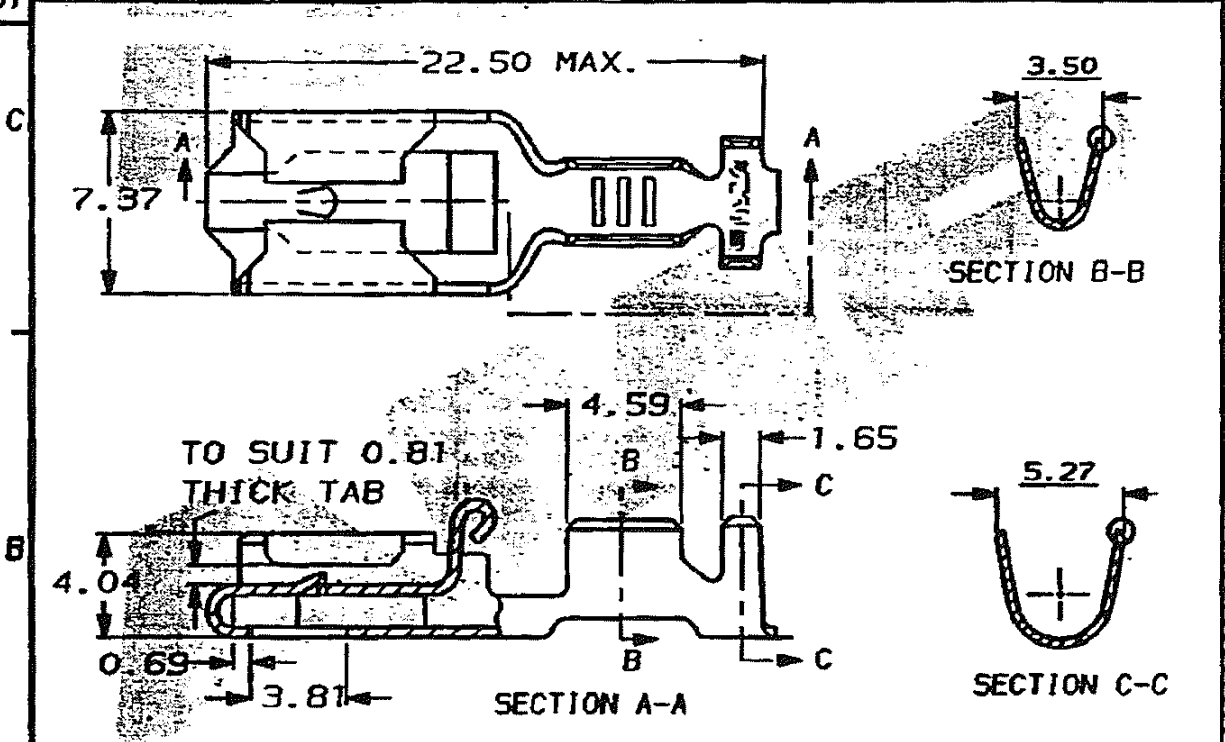


1 OBSOLETE PARTS: OBSOLETE CIS STREAMLINING PER D.RENAUD/D.SINISI
 2 OBSOLETE

G.A.D. FILE CODE
S. C154718.AD

DO NOT SCALE		DIMENSIONS IN MM.		
PART NUMBER	MATERIAL	FINISH	REELING	LOOSE PIECE QTY. ONLY
154718-1	BRASS	NONE	STANDARD	341002-1
154718-2	PHOS. BRONZE	NONE	STANDARD	341002-2
154718-3	BRASS	TIN	STANDARD	341002-3
154718-4	PHOS. BRONZE	TIN	STANDARD	341002-4 2
154718-5	PHOS. BRONZE	NONE	STANDARD	341002-5
154718-6	BRASS	PRE-TIN	STANDARD	341002-6
154718-7	PHOS. BRONZE	PRE-TIN	STANDARD	341002-7
154718-8	BRASS	SILVER	STANDARD	341002-8
154718-9	BRASS	SILVER	STANDARD	341002-9
1-154718-0	BRASS	PRE-TIN	STANDARD	---
1-154718-1	BRASS	NONE	REV. REEL VERSION-1	---
1-154718-2	PHOS. BRONZE	NONE	REV. REEL VERSION-2	---
1-154718-3	PHOS. BRONZE	PRE-TIN	STANDARD	---
1-154718-4	BRASS	TIN	REV. REEL VERSION-3	---
1-154718-5	PHOS. BRONZE	TIN	REV. REEL VERSION-1	---



WIRE RANGE 0.7 TO 2.0mm² INSULATION RANGE 2.4 TO 3.2mm DIA.

CUSTOMER DWG FOR REFERENCE ONLY RELEASED FOR PUBLICATION ORIGINAL 1974

TOLERANCES UNLESS OTHERWISE STATED:
 DEC ± 0.5
 ANGLES ± 1°

DR. D.A. BARRATT 27.11.91
 OR. D. TERRY APP. D.A. BARRATT

TE TE Connectivity

NAME POSITIVE LOCK RECEPTACLE

AD2	REVISED PER ECO-11-005150	RK/HMR	28MAR11	SCALE	LOC	SIZE	DWG. No.	REV	SHEET
REV	ECN	APPROVED	DATE	4/1	E	A4	C154718	AD2	1/1