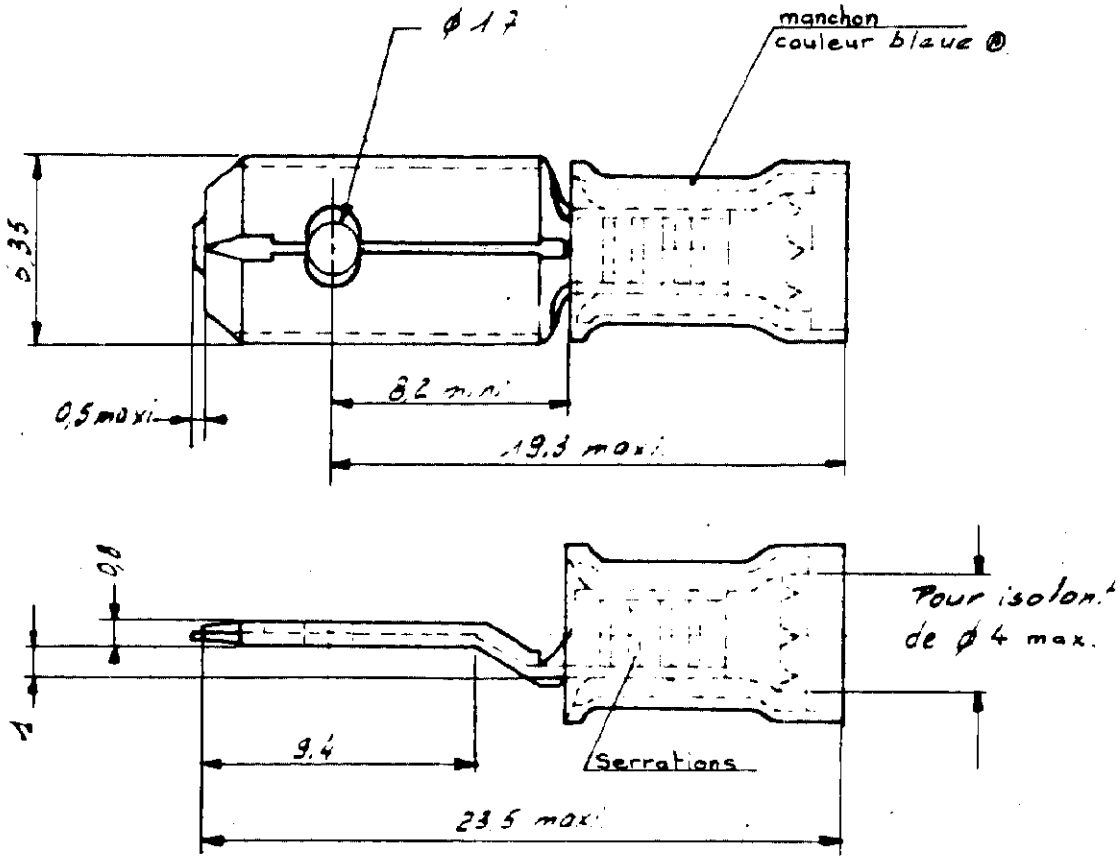



NUMERO
C. 140971



△ OBSOLETE PARTS: OBSOLETE CIS STREAMLINING PER D.RENAUD/D.SINISI

REF. VRAC : 140 971 - 2

REF. BANDE : ~~140 971 - 3~~ OBSOLETE △ 1

D2	REVISED PER ECO-09-026346	KK	AEG	26NOV 09	PROTECTED BY AMP IN THE UNITED STATES AND IN OTHER COUNTRIES WHERE PATENT RIGHTS ARE RESERVED. AMP PRODUCTS COVERED BY PATENTS AND/OR PATENTS PENDING.	DESSIN CLIENT UNIQUEMENT POUR REFERENCE
D ₁	Ajouté PN's	GR		10/95	MATIERE ET FINITION Laiton	 AMP DE FRANCE SA MONTAUBAN CLASSE 6.35 Serie
D	Ajouté matière manchon	JD		11/10/91	manchons: nylon	
C	Revisé	FB		2/2/93	2 : étame	TYPE P I D.G
B	Revisé			20.65	DIMENSIONS 1,3 à 2,6 mm ø 4 Maxi	TOLERANCES SAUF INDICATION E01 0.10
A	Revisé			26.X.86	ISOLANT ø 4 Maxi	REV D2
INC	CHANGEMENT	DES	VER	DATE	F A N° C.140971 LANGUETTE FASTON	
DESSINE	KY 17 III 66	APPROUVE	PETS N° 110097			
VERIFIE	MB 18 III 66					

713