

4

3

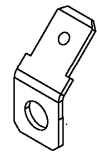
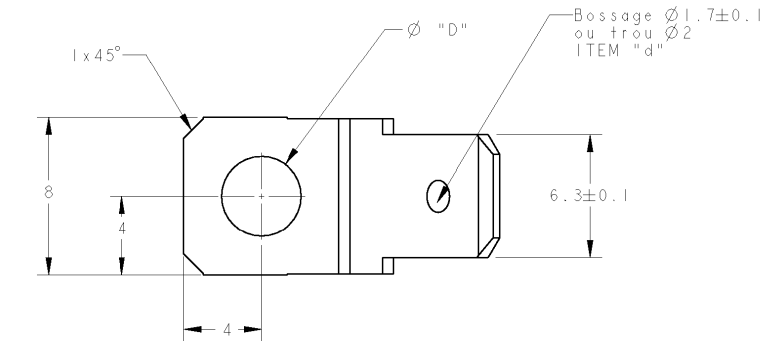
2

1

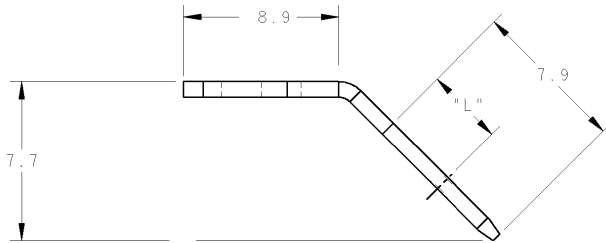
THIS DRAWING IS UNPUBLISHED.
DIFFUSION RESTREINTE. AMP
COPYRIGHT BY

RELEASED FOR PUBLICATION
LIBRE À LA DIFFUSION
ALL RIGHTS RESERVED.
Tous droits réservés

LOC	DIST	REVISIONS			
P	LFR	DESCRIPTION	DATE	DWN	APVD
REV		MODIFICATIONS		BESS.	APP.
M1		REVISED PER ECO-11-005140	29APR11	RK	HMR



ECHELLE 2:1



141158-1	dore	4.1	3	bossage
141036-1	brut	3.4	5.2	trou
140829-2	etame	3.4	3	trou
140829-1	brut	3.4	3	trou
140814-2	etame	3.4	4.1	trou
140814-1	brut	3.4	4.1	trou
140856-2	etame	4.1	3.7	bossage
140856-1	brut	4.1	3.7	bossage
140759-1	nickele	4.1	5.2	bossage
140759-0	etame	4.1	5.2	bossage
140665-0	brut	4.1	5.2	bossage
140660-0	etame	4.1	3	bossage
140659-0	brut	4.1	3	bossage
140598-0	etame	4.1	4.1	bossage
140597-0	brut	4.1	4.1	bossage
Reference	Finition	"L"	"D"	"d"

DIMENSIONS: mm		TOLERANCES UNLESS OTHERWISE SPECIFIED (TOLERANCES NON SPECIFIEES S'ILY A DES DECIMALES): 0. PLC/DEC: ± 1. PLC/DEC: ±0.2 2. PLC/DEC: ± 3. PLC/DEC: ± 4. PLC/DEC: ± ANGLES ±30°		DWN/DESIGNE O. LEMPEREUR CHR/VERIFIE G. ROBERT APVD/APPROUVE Y. PETRONIN		NAME TITRE		RESTRICTED TO RESERVE A	
MATERIAL (MATIERE) LAITON		FINISH (FINITION) Voir tableau		PRODUCT SPEC SPEC. PRODUIT		APPLICATION SPEC SPEC. APPLICATION		SIZE FORMAT A3	
CAGE CODE 00779		DRAWING NO H-PLAN C-140597		WEIGHT MASSE APPROX.		UNDOUMENT POUR REFERENCE		SCALE ECHELLE 5:1	
CUSTOMER DRAWING		/PLAN CLIENT		UNDOUMENT POUR REFERENCE		SCALE ECHELLE 5:1		SHEET FEUILLE 1 OF DE 1	
								REV M1	

STE TE Connectivity
FASTON TABS BENT 45 .250 series
LANGUETTE POUR CLIPS