

4

3

2

1

THIS DRAWING IS UNPUBLISHED.

RELEASED FOR PUBLICATION 2011

© COPYRIGHT 2011 BY -

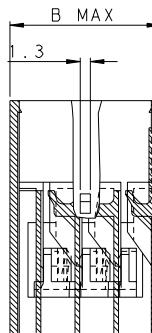
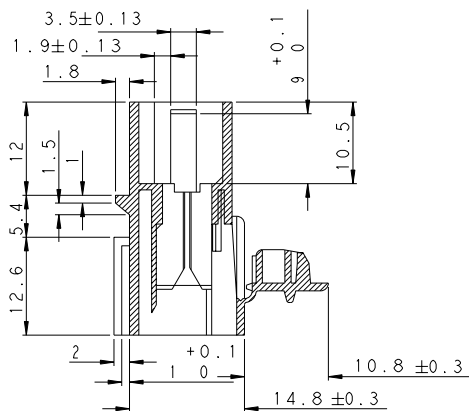
ALL RIGHTS RESERVED.

LOC AI DIST -

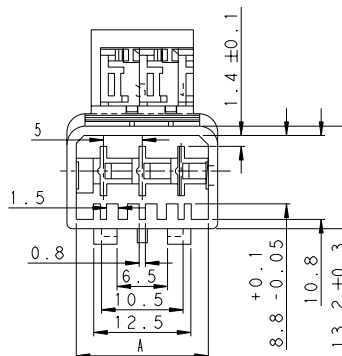
REVISIONS

P	LTR	DESCRIPTION	DATE	DWN	APVD
C		CHANGE COTES 3.5 ET 1.9	18AUG2011	PB	JPP

COUPE B-B



△ OBSOLETE PARTS: OBSOLETE CIS STREAMLINING PER D.RENAUD/D.SINISI



KEYING (DETROMPAGES)

2 POSITIONS		3 POSITIONS	
	BLACK (NOIR) 0-144835-2		BLACK (NOIR) 0-144835-3
	BROWN (MARRON) 1-144835-2		BROWN (MARRON) 1-144835-3
	RED (ROUGE) 2-144835-2		RED (ROUGE) 2-144835-3
	ORANGE 3-144835-2		ORANGE 3-144835-3
	YELLOW (JAUNE) 4-144835-2		YELLOW (JAUNE) 4-144835-3
	GREEN (VERT) 5-144835-2		GREEN (VERT) 5-144835-3
	BLUE (BLEU) 6-144835-2		BLUE (BLEU) 6-144835-3
	VIOLET 7-144835-2		VIOLET 7-144835-3
	GREY (GREY) 8-144835-2		GREY (GREY) 8-144835-3
	WHITE (BLANC) 9-144835-2		WHITE (BLANC) 9-144835-3

19.7	17	3	144835-3
14.7	12	2	144835-2
B	A	Nb de VOIES (Nb. of WAYS)	REFERENCES

△ OBSOLETE

THIS DRAWING IS A CONTROLLED DOCUMENT.

DIMENSIONS: mm	TOLERANCES UNLESS OTHERWISE SPECIFIED: 0-PLC ± - 1-PLC ± - 2-PLC ± - 3-PLC ± 0.2 4-PLC ± - ANGLES ± 2°	OWN P. BACHELOT 18AUG2011 CHK JP. PICAUD 18AUG2011 APVD J. REVIL 18AUG2011	NAME BOITIER PORTE -LANG 5MM DOUBLE VERROU (housing for tab 5 mm double locking)
MATERIAL PA 6.6	FINISH -	PRODUCT SPEC - APPLICATION SPEC - WEIGHT -	SIZE A3 CAGE CODE 00779 DRAWING NO. 144835 RESTRICTED TO -
		CUSTOMER DRAWING / PLAN CLIENT	UNTOURNEMENT POUR REFERENCE SCALE - SHEET 1 OF 1 REV C

STE TE Connectivity