

## Preliminary Product Specification

### 4Gbps Long-Reach DWDM SFP Transceiver

#### FWLF1634Ryxx

#### PRODUCT FEATURES

- Up to 4.25 Gb/s bi-directional links
- Hot-pluggable SFP footprint
- Temperature-stabilized DWDM-rated DFB laser transmitter
- 100GHz ITU Grid, C-Band
- Low dispersion DFB laser
- Extended operating range: -5°C to 70°C case temperature
- Wavelength controlled within  $\pm 0.1$  nm over life and temperature
- Extended link budget with APD receiver technology
- 4x FC compliant
- 1x/2x, GbE compliant\*
- OC-48 LR-2 compliant\*



#### APPLICATIONS

- Amplified DWDM networks
- Bandwidth aggregation
- Ring topologies with fixed and reconfigurable OADMs

Finisar's Dense Wavelength-Division Multiplexing (DWDM) transceivers offer DWDM transport with dramatically lower power and cost in a standard pluggable Small Form Factor Pluggable (SFP) package<sup>1</sup>. The FWLF1634R is designed expressly for service providers deploying DWDM networking equipment in metropolitan access and core networks.

Basic digital diagnostic features for the FWLF1634R are implemented as described in Finisar Application Note AN-2030, "Digital Diagnostic Monitoring Interface for Optical Transceivers"<sup>4</sup>. Enhanced diagnostic features are available as described in the DWDM SFP MSA<sup>6</sup>.

(\*when ordered with rate selection option, and used in low rate mode)

## PRODUCT SELECTION

<b>FWLF1634Ryxx</b>
---------------------

y	L	Non Rate Selectable - 4x Fibre Channel
	V	Rate Selectable - 1x, 2x, Fibre Channel, Gigabit Ethernet
xx		DWDM Wavelength (see table below)

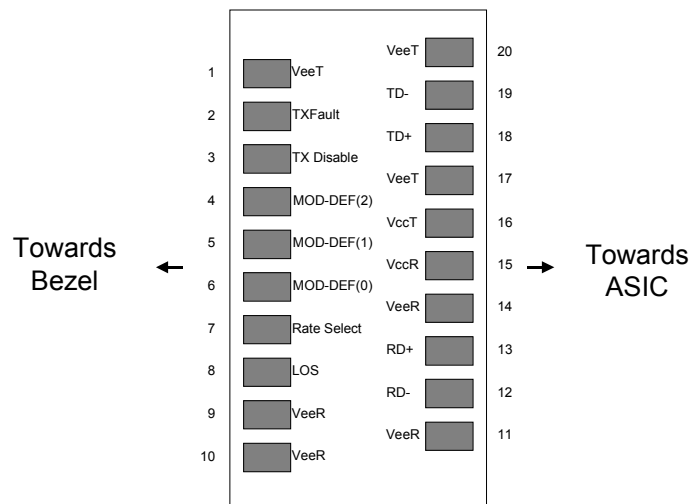
Product Code	Frequency (THz)	Center Wavelength (nm)
FWLF1634Ry17	191.7	1563.86
FWLF1634Ry18	191.8	1563.05
FWLF1634Ry19	191.9	1562.23
FWLF1634Ry20	192.0	1561.42
FWLF1634Ry21	192.1	1560.61
FWLF1634Ry22	192.2	1559.79
FWLF1634Ry23	192.3	1558.98
FWLF1634Ry24	192.4	1558.17
FWLF1634Ry25	192.5	1557.36
FWLF1634Ry26	192.6	1556.55
FWLF1634Ry27	192.7	1555.75
FWLF1634Ry28	192.8	1554.94
FWLF1634Ry29	192.9	1554.13
FWLF1634Ry30	193.0	1553.33
FWLF1634Ry31	193.1	1552.52
FWLF1634Ry32	193.2	1551.72
FWLF1634Ry33	193.3	1550.92
FWLF1634Ry34	193.4	1550.12
FWLF1634Ry35	193.5	1549.32
FWLF1634Ry36	193.6	1548.51
FWLF1634Ry37	193.7	1547.72
FWLF1634Ry38	193.8	1546.92
FWLF1634Ry39	193.9	1546.12
FWLF1634Ry40	194.0	1545.32
FWLF1634Ry41	194.1	1544.53
FWLF1634Ry42	194.2	1543.73
FWLF1634Ry43	194.3	1542.94
FWLF1634Ry44	194.4	1542.14
FWLF1634Ry45	194.5	1541.35
FWLF1634Ry46	194.6	1540.56
FWLF1634Ry47	194.7	1539.77
FWLF1634Ry48	194.8	1538.98
FWLF1634Ry49	194.9	1538.19
FWLF1634Ry50	195.0	1537.40
FWLF1634Ry51	195.1	1536.61
FWLF1634Ry52	195.2	1535.82
FWLF1634Ry53	195.3	1535.04
FWLF1634Ry54	195.4	1534.25
FWLF1634Ry55	195.5	1533.47
FWLF1634Ry56	195.6	1532.68
FWLF1634Ry57	195.7	1531.90
FWLF1634Ry58	195.8	1531.12
FWLF1634Ry59	195.9	1530.33
FWLF1634Ry60	196.0	1529.55
FWLF1634Ry61	196.1	1528.77

**I. Pin Descriptions**

Pin	Symbol	Name/Description	Ref.
1	V <sub>EET</sub>	Transmitter Ground (Common with Receiver Ground)	1
2	T <sub>FAULT</sub>	Transmitter Fault	
3	T <sub>DIS</sub>	Transmitter Disable. Laser output disabled on high or open	2
4	MOD_DEF(2)	Module Definition 2. Data line for Serial ID	3
5	MOD_DEF(1)	Module Definition 1. Clock line for Serial ID	3
6	MOD_DEF(0)	Module Definition 0. Grounded within the module	3
7	Rate Select	No connection required	4
8	LOS	Loss of Signal indication. Logic 0 indicates normal operation	5
9	V <sub>EER</sub>	Receiver Ground (Common with Transmitter Ground)	1
10	V <sub>EER</sub>	Receiver Ground (Common with Transmitter Ground)	1
11	V <sub>EER</sub>	Receiver Ground (Common with Transmitter Ground)	1
12	RD-	Receiver Inverted DATA out. AC Coupled	
13	RD+	Receiver Non-inverted DATA out. AC Coupled	
14	V <sub>EER</sub>	Receiver Ground (Common with Transmitter Ground)	1
15	V <sub>CCR</sub>	Receiver Power Supply	
16	V <sub>CCT</sub>	Transmitter Power Supply	
17	V <sub>EET</sub>	Transmitter Ground (Common with Receiver Ground)	1
18	TD+	Transmitter Non-Inverted DATA in. 100 ohm termination between TD+ and TD-, AC Coupled thereafter	
19	TD-	Transmitter Inverted DATA in. See TD+	
20	V <sub>EET</sub>	Transmitter Ground (Common with Receiver Ground)	1

Notes:

- Circuit ground is internally isolated from chassis ground.**
- Laser output disabled on T<sub>DIS</sub> >2.0V or open, enabled on T<sub>DIS</sub> <0.8V.
- Should be pulled up with 4.7k – 10kohms on host board to a voltage between 2.0V and 5.5V. MOD\_DEF(0) pulls line low to indicate module is plugged in.
- Receiver achieves multi-rate operation without active control.
- LOS is open collector output. Should be pulled up with 4.7k – 10kohms on host board to a voltage between 2.0V and 5.5V. Logic 0 indicates normal operation; logic 1 indicates loss of signal.

**Diagram of Host Board Connector Block Pin Numbers and Names**

**II. Absolute Maximum Ratings**

Parameter	Symbol	Min	Typ	Max	Unit
Maximum Supply Voltage	V <sub>cc</sub>	-0.5		4.7	V
Storage Temperature	T <sub>S</sub>	-10		85	°C
Case Operating Temperature	T <sub>OP</sub>	-5		70	°C

**III. Electrical Characteristics (T<sub>OP</sub> = -5 to 70 °C, V<sub>CC</sub> = 3.13 to 3.50 Volts)**

Parameter	Symbol	Min	Typ	Max	Unit	Ref.
Supply Voltage	V <sub>cc</sub>	3.13	3.30	3.50	V	
Supply Current	I <sub>cc</sub>			325	mA	BOL
Inrush Current	I <sub>surge</sub>			I <sub>cc</sub> +30	mA	BOL
Maximum Power	P <sub>max</sub>			1.25	W	
<b>TRANSMITTER</b>						
Input differential impedance	R <sub>in</sub>		100		Ω	1
Single ended data input swing	V <sub>in,pp</sub>	250		1200	mV	
Transmit Disable Voltage	V <sub>D</sub>	V <sub>cc</sub> – 1.3		V <sub>cc</sub>	V	
Transmit Enable Voltage	V <sub>EN</sub>	V <sub>ee</sub>		V <sub>ee</sub> + 0.8	V	2
<b>RECEIVER</b>						
Single ended data output swing	V <sub>out,pp</sub>	175		1000	mV	3
Data output rise time	t <sub>r</sub>			120	ps	4
Data output fall time	t <sub>f</sub>			120	ps	4
LOS Fault	V <sub>LOS fault</sub>	V <sub>cc</sub> – 0.5		V <sub>cc</sub> <sub>HOST</sub>	V	5
LOS Normal	V <sub>LOS norm</sub>	V <sub>ee</sub>		V <sub>ee</sub> +0.5	V	5
Power Supply Rejection	PSR	100			mVpp	6

Notes:

1. Connected directly to TX data input pins. AC coupled thereafter.
2. Or open circuit.
3. Into 100 ohms differential termination.
4. 20 – 80 %
5. Loss of signal (LOS) is LVTTTL. Logic 0 indicates normal operation; logic 1 indicates no signal detected.
6. Receiver sensitivity is compliant with power supply sinusoidal modulation of 20 Hz to 1.5 MHz up to specified value applied through the recommended power supply filtering network.

**IV. Low Speed Signals**

Parameter	Symbol	Min	Typ	Max	Units	Notes/Conditions
RX_LOS Assert Level		-42	-36		dBm	
RX_LOS De-assert Level			-34	-28	dBm	
RX_LOS Hysteresis		0.5	2		dB	
RX_LOS Assert Delay	t_loss_on			100	μsec	From detection of loss of signal to assertion of RX_LOS
RX_LOS Negate Delay	t_loss_off			100	μsec	From detection of presence of signal to negation of RX_LOS
TX_DISABLE Assert Time	t_off			10	μsec	Rising edge of TX_DISABLE to fall of output signal below 10% of nominal
TX_DISABLE Negate Time	t_on			1000	μsec	Falling edge of TX_DISABLE to rise of output signal above 90% of nominal. Time indicated is under steady-state temperature conditions.
TX_DISABLE Reset Time	t_reset	10			μsec	TX_DISABLE HIGH before TX_DISABLE set LOW
TX_FAULT Assert		-0.2		+0.2	nm	TX_Fault will assert before the device is outside of specified wavelength range

**V. Optical Parameters<sup>1</sup>**

Parameter	Symbol	Min	Typ	Max	Units	Notes/Conditions
<b>TRANSMITTER CHARACTERISTICS</b>						
Center Wavelength Spacing			100		GHz	Corresponds to approximately 0.8 nm
Modulated Spectral Width	$\Delta\lambda_{20}$		0.2	0.3	nm	Full width, -20dB from max. See note 3
Center Wavelength – End of Life	$\lambda_c$	X - 100	X	X + 100	pm	X = specified center wavelength
Center Wavelength – BOL Offset	$\lambda_c$	Y - 25	Y	Y + 25	pm	Y = specified center wavelength
Side Mode Suppression Ratio	SMSR	30			dB	Modulated
Optical Rise/Fall Time	$t_r / t_f$			120	ps	Unfiltered, 80% -20%
Optical Output Power	$P_{out}$	+2		+5	dBm	Avg. power coupled into SMF-28; see note 4
Extinction Ratio, (<=4.25G)	OMI	6.0			dB	EOL
Extinction Ratio, SONET	OMI	8.2			dB	EOL, Rate Select Option Only
Eye Opening		10			%	
Jitter Generation, SONET				75	mUI	Parameters per GR-253 <sup>2</sup> section 5.6 for OC-48 B
Total Jitter				59.8	ps	(p-to-p)
Deterministic Jitter				28.2	ps	(p-to-p)
Reflectance	$R_{TX}$			-27	dB	
Tolerable Back Reflection	BR			-14	dB	See note 5
Relative Intensity Noise	RIN			-120	dB/Hz	
Dispersion Power Penalty	DPP			3.0	dB	At 1600 ps/nm. See Note 6
<b>RECEIVER CHARACTERISTICS</b>						
Optical Input Wavelength	$P_{in}$	1520		1570	nm	
Jitter Generation, SONET				75	mUI	Parameters per GR-253 <sup>2</sup> section 5.6 for OC-48 B
Total Jitter				61.8	ps	(p-to-p)
Deterministic Jitter				25.9	ps	(p-to-p)
Optical Input Power (BER < 10 <sup>-12</sup> )	$P_{in}$	-28		-9	dBm	2.5 Gb/s w/ PRBS 2 <sup>23</sup> -1 EOL, & rate select low option implemented
Optical Input Power (BER < 10 <sup>-12</sup> )	$P_{in}$	-23		-9	dBm	4.25 Gb/s w/ PRBS 2 <sup>7</sup> -1 EOL
Optical Input Power – Receiver Damage Threshold				+6	dBm	
Receiver Reflectance	$R_{RX}$			-27	dB	
Min-Required OSNR 0ps/nm	OSNR <sub>bb</sub>	22			dB	See Note 7
Min-Required OSNR 1600ps/nm	OSNR <sub>t</sub>	25			dB	See Note 7

**Notes:**

- Parameters are specified over temperature and voltage, at end of life, and for non-rate select option unless otherwise noted.
- All parameters are measured on a Finisar SFP Evaluation Card unless otherwise noted.
- For accurate  $\Delta\lambda_{20}$  measurements, an OSA with a resolution band width of  $\leq 20$ pm is recommended.
- Output power of +3 to +7dBm is also supported; please contact your local Finisar sales representatives for details.
- Tolerable back reflection is the max back reflection level at which the power penalty will be <1dB. Power penalty is measured over fiber (1600ps/nm) at BER = 10<sup>-12</sup> with OSNR set at 24dB.
- Dispersion power penalty is measured in loop back with OSNR set to 30 dB. Data rate and pattern used same as specified for Optical Input Power. Dispersion power penalty is the difference in Rx power at a BER of 10<sup>-12</sup> for 0ps/nm & 1600ps/nm
- Rx power set between -9dBm and -18dBm. Data rate and pattern used same as specified for Optical Input Power. Measured as the Minimum OSNR to achieve a BER of 10<sup>-12</sup>. Optical filter bandwidth of 0.1nm is used in OSNR measurement.

**VI. Wavelength Stabilization**

The laser transmitter will not be turned on until its temperature is adjusted to ensure operation within the specified channel ( $X \pm 300\text{pm}$ ). This temperature stabilization time is dependent on the ambient temperature conditions, but will typically occur within 5 seconds of powering the device. The module will transmit within the specified wavelength tolerance ( $X \pm 100\text{pm}$ ) within 10 ms of transmitter operation.

**VII. General Specifications**

Parameter	Symbol	Min	Typ	Max	Units	Notes/Conditions
Data Rate	BR	0.155		4.25	Gb/sec	SONET OC-3/12/48 compatible
Total Link Budget		26	30		dB	@ 4.25 Gb/s, BER $<10^{-12}$ w/ PRBS $2^7-1$ . See Note 1
Total Link Budget		31	34		dB	@ 2.5 Gb/s, BER $<10^{-12}$ w/ PRBS $2^{23}-1$ . See Note 1

Note 1: Total link budget is defined as  $P_{\text{out}} - P_{\text{in}}$  – typical connector losses. Operating in low rate mode

**VIII. Environmental Specifications**

Parameter	Symbol	Min	Typ	Max	Units	Notes/Conditions
Operating Temp	$T_{\text{op}}$	-5		70	$^{\circ}\text{C}$	Case temperature measured on top-side of device
Storage Temp	$T_{\text{sto}}$	-40		85	$^{\circ}\text{C}$	Ambient temperature
Eye Safety						CDRH and IEC-825 Class 1 Laser Product. See Note 1

Note 1: Complies with FDA performance standards for laser products except for deviations pursuant to Laser Notice No. 50, dated July 26, 2001.

**IX. Serial Communication Protocol**

All Finisar SFPs support the 2-wire serial communication protocol to provide module ID information as outlined in the SFP MSA<sup>1</sup>. These SFPs use an Atmel AT24C01A 128 byte E<sup>2</sup>PROM with an address of A0h. For details on interfacing with the E<sup>2</sup>PROM, see the Atmel data sheet titled “AT24C01A/02/04/08/16 2-Wire Serial CMOS E<sup>2</sup>PROM.”<sup>3</sup>

Finisar SFPs also support diagnostic features as described in Finisar Applications Note AN-2030<sup>4</sup> and SFF-8472<sup>5</sup>, “Digital Diagnostic Monitoring Interface for Optical Transceivers”. A controller IC that monitors system parameters such as laser current, module temperature, transmitter power, and received power is accessible at address A2H. In addition, Finisar’s DWDM SFPs provide extended set of ID information and diagnostic features as described in the DWDM SFP MSA<sup>6</sup>.

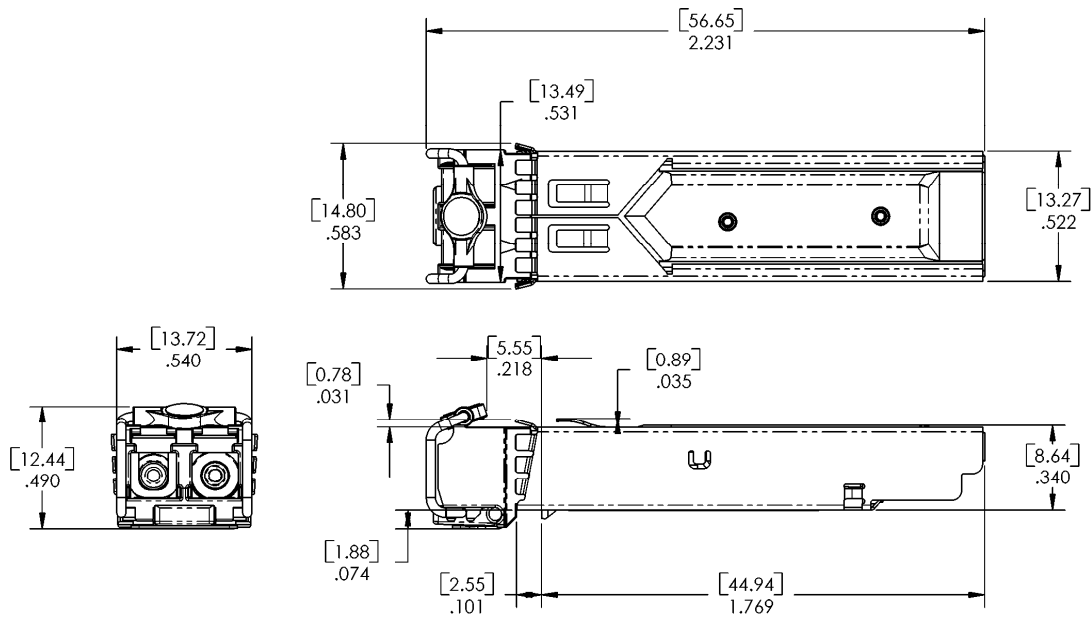
I<sup>2</sup>C clock speed, digital diagnostic accuracy and digital diagnostic range can be found in the table below. Values in the table represent the worst-case values over temperature, voltage, and life.

<b>Parameter</b>	<b>Symbol</b>	<b>Min</b>	<b>Typ</b>	<b>Max</b>	<b>Units</b>	<b>Notes/Conditions</b>
I <sup>2</sup> C Clock Speed		0		100,000	Hz	Bus can be driven blind
<b>Accuracy</b>						
Transceiver Case Temperature	DD <sub>Temperature</sub>	-10		+10	°C	Measured on the top-side of the module case
Transceiver Supply Voltage	DD <sub>Voltage</sub>	-3		+3	%	
Tx Bias Current	DD <sub>Bias</sub>	-10		+10	%	
Tx Output Power	DD <sub>TxPower</sub>	-2		+2	dB	
Received Average Power	DD <sub>RxPower</sub>	-2		+2	dB	
<b>Range</b>						
Transceiver Case Temperature	DD <sub>Temperature</sub>	-40		85	°C	
Transceiver Supply Voltage	DD <sub>Voltage</sub>	3.0		4.0	V	
Tx Bias Current	DD <sub>Bias</sub>	0		90	mA	
Tx Output Power	DD <sub>TxPower</sub>	-5		+10	dBm	
Received Average Power	DD <sub>RxPower</sub>	-30		-7	dBm	



**X. Mechanical Specifications**

Finisar's Multi-rate DWDM Small Form Factor Pluggable (SFP) transceivers are compatible with the dimensions defined by the DWDM SFP Multi-Sourcing Agreement (MSA)<sup>6</sup>.



**Figure 1. DWDM SFP Outline Drawing (units in inches [mm])**

**XI. Ordering Information**

<b>Part Number</b>	<b>Description</b>
FWLF1634Ryxx	DWDM SFP with APD Receiver y = L: non rate select y = V: rate select xx = channel number (see product selection on page 2)

**XII. References**

1. Small Form Factor Pluggable (SFP) Transceiver Multi-Source Agreement (MSA), September 2000. Documentation is currently available from Finisar upon request.
2. “SONET Transport Systems: Common Generic Criteria”, Telcordia Technologies, GR-253-CORE, Issue 3, September 2000.
3. “AT24C01A/02/04/08/16 2-Wire Serial CMOS E<sup>2</sup>PROM”, Atmel Corporation.  
[www.Atmel.com](http://www.Atmel.com).
4. “Application Note AN-2030: Digital Diagnostic Monitoring Interface for Optical Transceivers”, Finisar Corporation, April 2002.
5. “Digital Diagnostic Monitoring Interface For Optical Transceivers Rev 9.3”. SFF Document No. SFF-8472.
6. Specifications for DWDM SFP Transceiver Draft 1.0.October 21 2005.  
Documentation is available from Finisar upon request.

**XIII. For More Information:**

Finisar Corporation  
1308 Moffett Park Drive  
Sunnyvale, CA 94089-1133  
Tel. (408) 548-1000  
Fax (408) 541-6138  
[sales@finisar.com](mailto:sales@finisar.com)  
[www.finisar.com](http://www.finisar.com)