

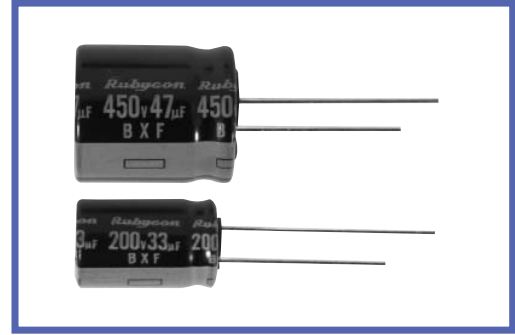
BXF SERIES

NEW

Load Life: 105°C10000 Hours.

◆FEATURES

- 20mm height.
- High Ripple Current.
- For Electronic Ballast, Power Supply.
- RoHS compliance.



◆SPECIFICATIONS

Items	Characteristics																
Category Temperature Range	-25~ +105°C																
Rated Voltage Range	160~ 450V.DC																
Capacitance Tolerance	± 20% (20°C, 120Hz)																
Leakage Current(MAX)	$I=0.04CV+100\mu A$ (After 1 minute application of rated voltage) $I=0.02CV+25\mu A$ (After 5 minutes application of rated voltage) I =Leakage Current(μA) C =Rated Capacitance(μF) V =Rated Voltage(V)																
(tan δ) Dissipation Factor(MAX)	<table border="1"> <tr> <td></td> <td>160</td> <td>200</td> <td>250</td> <td>350</td> <td>400</td> <td>450</td> <td>(20°C, 120Hz)</td> </tr> <tr> <td>tan δ</td> <td>0.15</td> <td>0.15</td> <td>0.15</td> <td>0.20</td> <td>0.20</td> <td>0.20</td> <td></td> </tr> </table>		160	200	250	350	400	450	(20°C, 120Hz)	tan δ	0.15	0.15	0.15	0.20	0.20	0.20	
	160	200	250	350	400	450	(20°C, 120Hz)										
tan δ	0.15	0.15	0.15	0.20	0.20	0.20											
Endurance	After applying rated voltage with rated ripple current for 10000hrs at 105°C, the capacitors shall meet the following requirement. <table border="1"> <tr> <td>Capacitance Change</td> <td>Within ±25% of the initial value.</td> </tr> <tr> <td>Dissipation Factor</td> <td>Not more than 200% of the specified value.</td> </tr> <tr> <td>Leakage Current</td> <td>Not more than the specified value.</td> </tr> </table>	Capacitance Change	Within ±25% of the initial value.	Dissipation Factor	Not more than 200% of the specified value.	Leakage Current	Not more than the specified value.										
Capacitance Change	Within ±25% of the initial value.																
Dissipation Factor	Not more than 200% of the specified value.																
Leakage Current	Not more than the specified value.																
Low Temperature Stability Impedance Ratio(MAX)	<table border="1"> <tr> <td>Rated Voltage(V)</td> <td>160</td> <td>200</td> <td>250</td> <td>350</td> <td>400</td> <td>450</td> <td>(120Hz)</td> </tr> <tr> <td>Z(-25°C)/Z(20°C)</td> <td>3</td> <td>3</td> <td>3</td> <td>6</td> <td>6</td> <td>6</td> <td></td> </tr> </table>	Rated Voltage(V)	160	200	250	350	400	450	(120Hz)	Z(-25°C)/Z(20°C)	3	3	3	6	6	6	
Rated Voltage(V)	160	200	250	350	400	450	(120Hz)										
Z(-25°C)/Z(20°C)	3	3	3	6	6	6											

◆MULTIPLIER FOR RIPPLE CURRENT

Frequency coefficient

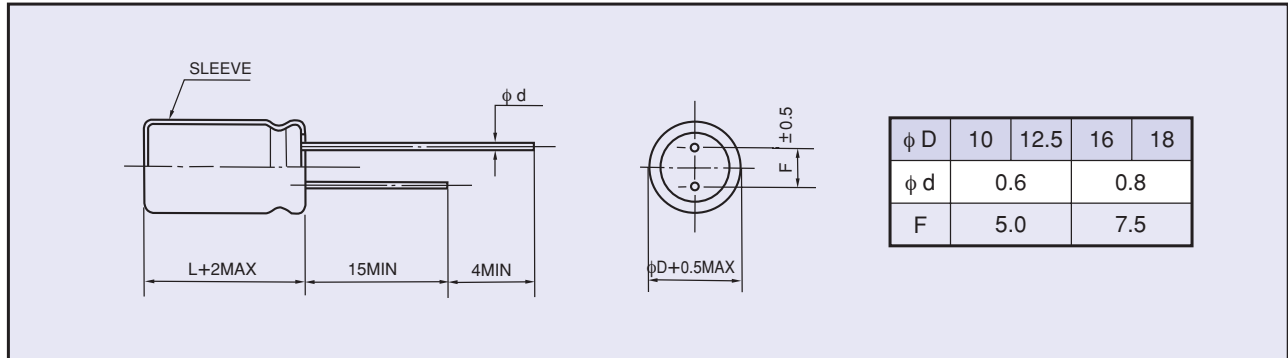
Frequency (Hz)		120	1k	10k	≥100k
Coefficient	10~ 18 μF	0.30	0.60	0.90	1.00
	22~ 82 μF	0.40	0.70	0.90	1.00
	100~ 220 μF	0.45	0.75	0.90	1.00

◆PART NUMBER

<input type="text"/>	<input type="text"/>	<input type="text"/>	<input type="text"/>	<input type="text"/>	<input type="text"/>	<input type="text"/>	<input type="text"/>
Rated Voltage	BXF Series	Rated Capacitance	Capacitance Tolerance	Option	Lead Forming	Case Size	

◆ DIMENSIONS

(mm)



◆ STANDARD SIZE

Size φ D×L(mm), Ripple Current (mA r.m.s./105°C, 100kHz)

WV (V.DC)	Cap (μF)	Size	Ripple	WV (V.DC)	Cap (μF)	Size	Ripple
160 (2C)	47	10×16	650	350 (2V)	18	10×16	450
	68	10×20	800		22	10×20	500
	82	16×16	1350		27	16×16	780
	100	12.5×20	1350		33	12.5×20	850
	100	18×16	1550		33	18×16	960
	180	16×20	1800		56	16×20	1200
	220	18×20	2250		82	18×20	1300
200 (2D)	33	10×16	650		400 (2G)	12	10×16
	47	10×20	800	18		10×20	500
	56	16×16	1350	18		16×16	780
	68	12.5×20	1350	27		12.5×20	850
	82	18×16	1550	27		18×16	960
	120	16×20	1800	47		16×20	1200
	180	18×20	2250	56		18×20	1300
250 (2E)	27	10×16	650	450 (2W)		10	10×16
	39	10×20	800		15	10×20	400
	47	16×16	1350		15	16×16	700
	56	12.5×20	1350		22	12.5×20	700
	56	18×16	1550		22	18×16	850
	100	16×20	1800		33	16×20	970
	120	18×20	2250		47	18×20	1170