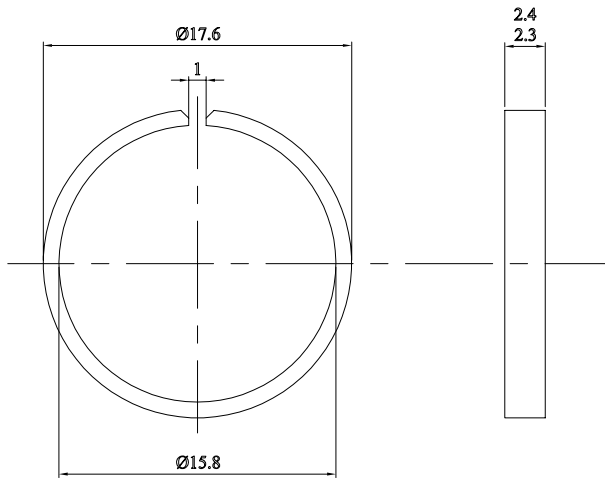


A durable plastic locking ring to be used in conjunction with the Standard Socket Ring Lock DIN Connectors (593 SERIES).
 Available in five colours (in bags of 20), or as a mixed bag (4 each of 5 colours).
 Easily interchangeable to enable a clear colour coded identification between the plug and mating panel socket.

Dimensions



MATERIAL : ACETAL

ORDER CODE (BAG OF 20 RINGS) COLOUR

593-0002	BLUE
593-0004	GREEN
593-0005	RED
593-0006	WHITE
593-0007	YELLOW
593-0000	MIXED BAG
(BAG OF 20 RINGS 4 x 5 COLOURS)	(BLUE, GREEN, RED WHITE, YELLOW)

DrgNo 593 IDENT RINGS

TITLE CHANNEL IDENTIFICATIONS RINGS

ALL DIMENSIONS IN MM
 ANGLES IN DECIMAL DEGREES



ISSUE 1

GENERAL SPECIFICATION
 FOR 593 IDENT RINGS

CUSTOMER		FILTER REF	
Aprvd Date 10/02/03	Aprvd By MC	Drwn by BFS	Scale: NTS
			Sheet 1 / 1

© Deltron Emcon Limited E-Mail components@deltron-emcon.com, Website www.deltron-emcon.com. Phone +44 1724 273200 Fax +44 1724 270230

