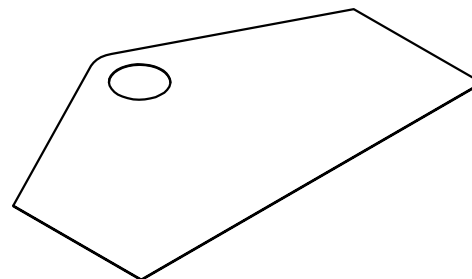
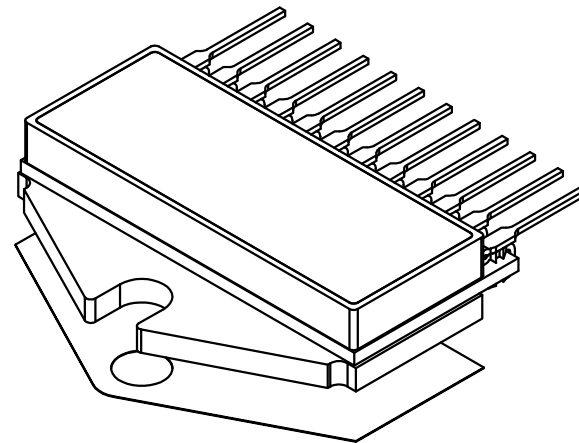
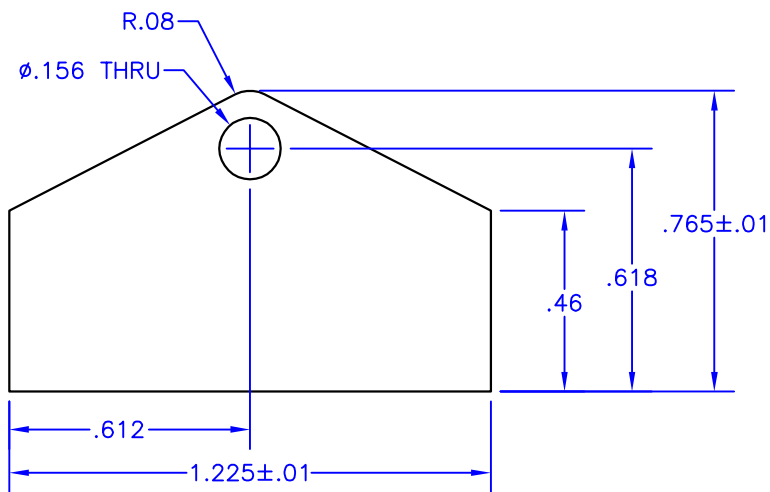


4

3

2

1



.003  
See Notes 2 & 3.

### NOTES:

- Unless otherwise noted, all dimensions are in inches.
- Foil Material: .002 thick 1145 aluminum
- Interface Material: .0005 thick phase-change thermal compound, both sides.  
Maximum shipping & storage temperature - 40°C  
Reflow temperature - 60°C  
Maximum recommended service temperature - 200°C
- Thermal impedance: .030 °C/W-in<sup>2</sup> (.194 °C/W-cm<sup>2</sup>) @ 20psi
- Thermal washers shall be packaged in quantities of 10 with oversize separators between them.
- Used with 12-pin PSIP packages (Apex designators: DP, ED, EE & EQ).
- Power Devices part no. AL-123-077-APX
- Supplier is to label each plastic box with the Cirrus Logic part number.

TOLERANCES - UNLESS OTHERWISE SPECIFIED	
.XX	= ±.01
.XXX	= ±.005
ANG.	= ±.5°



TITLE <b>THERMAL WASHER, PSIP</b>					PART NO. <b>TW07</b>	
SUBJECT MECHANICAL DRAWING						
ENG. D-M	TECH/DRAW. P.ECK	DCA 11077	SH. OF 1 1	FILENAME TW07	REV F	DATE 28FEB11

4

3

2

1