

The GLS85LD0512 / GLS85LD1001T / GLS85LD1002U NANDrive™ solid-state drive (SSD) combines a NAND controller and 512 MBytes / 1 GByte / 2 GBytes of NAND flash in a multi-chip package. It provides complete ATA/IDE hard disk drive functionality in a small package for easy, space-saving mounting to a system motherboard. This makes the GLS85LD0512 / GLS85LD1001T / GLS85LD1002U NANDrive SSD the ideal data storage solution for mobile and embedded electronic products that require smaller and more reliable storage.

## Features

- **Industry Standard ATA/IDE Bus Interface**
  - Host Interface: 16-bit access
  - Supports up to PIO Mode-6
  - Supports up to Multi-word DMA Mode-4
  - Supports up to Ultra DMA Mode-4
- **Low Power, 3.3V Power Supply**
- **5.0V or 3.3V Host Interface Through V<sub>DDQ</sub> Pins**
- **Low Current Operation:**
  - Active mode: 85 mA Typical
  - Sleep mode: 160 µA Typical
- **Power Management Unit**
  - Immediate disabling of unused circuitry without host intervention
  - Zero wake-up latency
- **Expanded Data Protection**
  - WP#/PD# pin configurable by firmware for prevention of data overwrites
- **20-byte Unique ID for Enhanced Security**
  - Factory Pre-programmed 10-byte Unique ID
  - User-Programmable 10-byte ID
- **Integrated Voltage Detector**
  - Prevents data loss due to unexpected power-down or brownout.
- **Endurance**
  - 100 Million write cycles for NANDrive with advanced NAND management technology
- **Data Retention**
  - 10 years
- **Pre-programmed Embedded Firmware**
  - Executes industry standard ATA/IDE commands
  - Implements dynamic wear-leveling algorithms to substantially increase the longevity of flash media
  - Embedded Flash File System
- **Robust Built-in ECC**
- **Multi-tasking Technology Enables Fast Sustained Write Performance (Host-to-Flash)**
  - Up to 20 MByte/sec
- **Fast Sustained Read Performance (Flash-to-Host)**
  - Up to 30 MByte/sec
- **Industrial Temperature Range**
  - -40°C to +85°C for industrial operation
- **LPGA package**
  - 12mm x 24mm
- **All Devices are RoHS Compliant**

Data Sheet

## Product Description

The GLS85LD0512, GLS85LD1001T and GLS85LD1002U NANDrive™ solid-state drives (SSD) are high-performance, fully-integrated, embedded flash solid state drives. They combine an integrated ATA Controller and either 512 MByte, 1 GByte, or 2 GByte of NAND Flash in a multi-chip package. These products are ideal for industrial grade solid state mass storage applications offering new and expanded functionality while enabling cost effective designs.

ATA-based solid state mass storage technology is widely used in portable and desktop computers, digital cameras, music players, handheld data collection scanners, cellular phones, PCS phones, PDAs, handy terminals, personal communicators, robotics, audio recorders, monitoring devices, and set-top boxes.

Greenliant NANDrive is a single device, solid state drive designed for embedded ATA/IDE protocol systems and supports standard ATA/IDE protocol with up to PIO Mode-6, Multi-word DMA Mode-4 and Ultra DMA Mode-4 interface. The built in microcontroller and file management firmware communicates with ATA standard interfaces; thereby eliminating the need for additional or proprietary software such as Flash File System (FFS) and Memory Technology Driver (MTD) software.

The GLS85LD0512 / GLS85LD1001T / GLS85LD1002U NANDrives provide complete IDE Hard Disk Drive functionality and compatibility in a 12mm x 24mm BGA package for easy, space saving mounting to a system motherboard. It is a perfect solution for portable, consumer electronic products requiring smaller and more reliable data storage.

The NANDrive provides a WP#/PD# pin to protect critical information stored in the flash media from unauthorized overwrites.

The NANDrive is pre-programmed with a 10-byte unique serial ID. For even greater system security, the user has the option of programming an additional 10 Bytes of ID space to create a unique, 20-byte ID.

NANDrive SSD is available with advanced NAND management technology, a NAND memory management technology that enhances data security, significantly improves endurance, and accurately predicts the minimum life span of NAND flash devices. Advanced NAND management technology combines NAND controller hardware error correction, advanced wear leveling algorithms, and bad block management to extend the life of the product.

## General Description

Each NANDrive contains an integrated ATA Controller and one or more NAND Flash dice in a LBGA package. Refer to Figure 1 for the NANDrive block diagram.

### Performance-optimized NANDrive

The heart of the NANDrive is the ATA Flash Disk Controller which translates standard ATA signals into flash media data and control signals. The following components contribute to the NANDrive's operation.

#### Microcontroller Unit (MCU)

The MCU translates ATA/IDE commands into data and control signals required for flash media operation.

#### Internal Direct Memory Access (DMA)

The NANDrive uses internal DMA allowing instant data transfer from buffer to flash media. This implementation eliminates microcontroller overhead associated with the traditional, firmware-based approach, thereby increasing the data transfer rate.

#### Power Management Unit (PMU)

The power management unit controls the power consumption of the NANDrive. The PMU dramatically reduces the power consumption of the NANDrive by putting the part of the circuitry that is not in operation into sleep mode.

#### SRAM Buffer

A key contributor to the NANDrive performance is an SRAM buffer. The buffer optimizes the host's data transfer to and from the flash media.

#### Embedded Flash File System

The embedded flash file system is an integral part of the NANDrive. It contains MCU firmware that performs the following tasks:

1. Translates host side signals into flash media writes and reads.
2. Provides dynamic flash media wear leveling to spread the flash writes to increase the longevity of flash media.
3. Keeps track of data file structures.

#### Error Correction Code (ECC)

High performance is achieved through optimized hardware error detection and correction.

#### Serial Communication Interface (SCI)

The Serial Communication Interface (SCI) is designed for manufacturing error reporting. Always provide SCI interface access to PCB design to aid in design validation.

Data Sheet

### Multi-tasking Interface

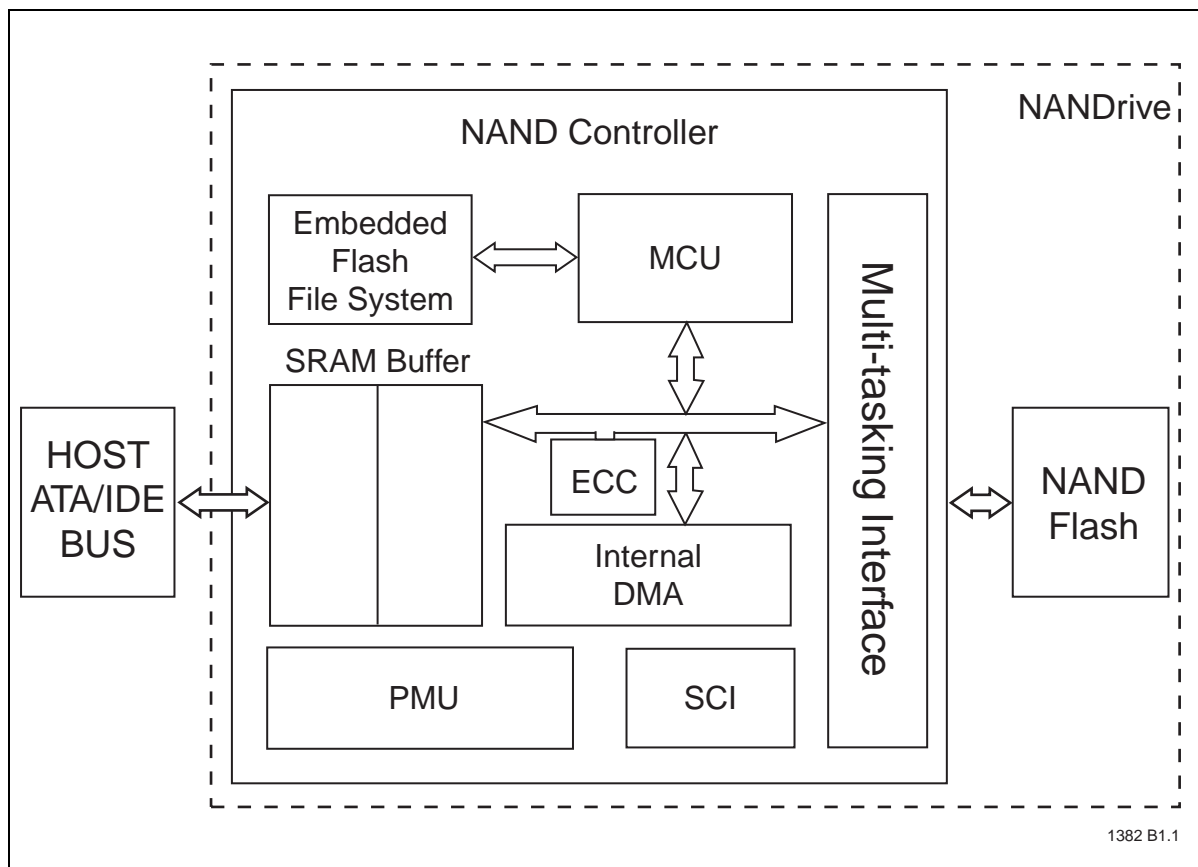
The multi-tasking interface enables fast, sustained write performance by allowing concurrent Read, Program, and Erase operations to multiple flash media devices.

### Advanced NAND Management Technology

Advanced NAND management technology balances the wear on erased blocks with an advanced wear-leveling scheme which provides a minimum of 100 million product write cycles. Advanced NAND management technology tracks the number of program/erase cycles within a group. When the host updates data, higher priority is given to the less frequently written erase blocks; thereby, evenly distributing host writes within a wear-leveling group.

Advanced NAND management technology enhances NANDrive security with password protection and four independent protection zones which can be set to Read-only or Hidden.

## Functional Blocks



**Figure 1: NANDrive Block Diagram**

## Pin Assignments

The signal/pin assignments are listed in Figure 2. Low active signals have a “#” suffix. Pin types are Input, Output, or Input/Output. Signals whose source is the host are designated as inputs while signals that the NANDrive sources are outputs.

The NANDrive functions in ATA mode, which is compatible with IDE hard disk drives.

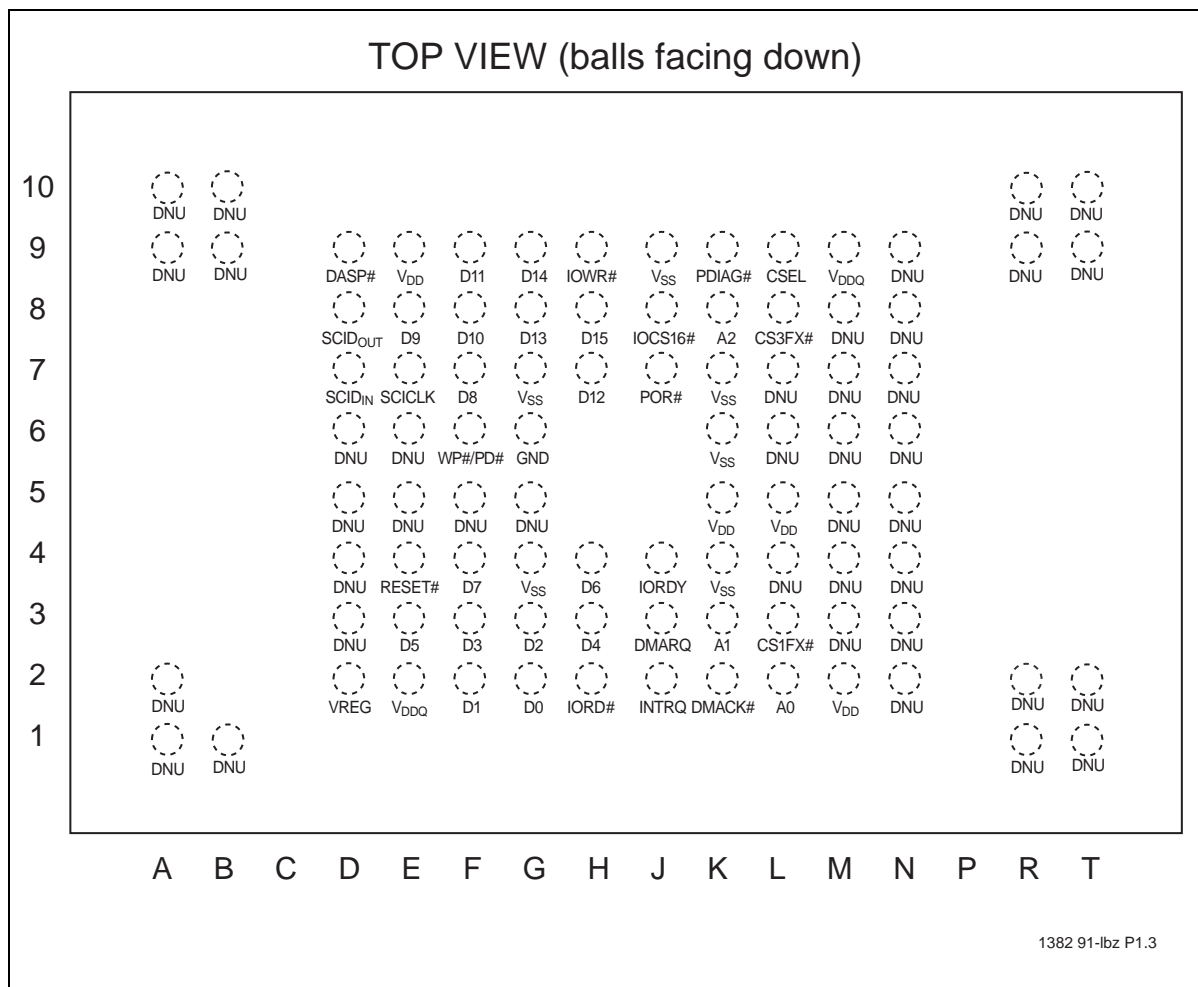


Figure 2: Pin Assignments for 91-Ball LPGA

## Data Sheet

**Table 1: Pin Assignments (1 of 3)**

Symbol	Pin No.	Pin Type	I/O Type	Name and Functions
	91-TFBGA			
<b>Host Side Interface</b>				
A2	K8	I	I1Z	A[2:0] are used to select one of eight registers in the Task File.
A1	K3			
A0	L2			
D15	H8	I/O	I1Z/O2	D[15:0] Data bus
D14	G9			
D13	G8			
D12	H7			
D11	F9			
D10	F8			
D9	E8			
D8	F7			
D7	F4			
D6	H4			
D5	E3			
D4	H3			
D3	F3			
D2	G3			
D1	F2			
D0	G2			
DMACK#	K2	I	I2U	DMA Acknowledge - input from host
DMARQ	J3	O	O1	DMA Request to host
CS1FX#	L3	I	I2Z	CS1FX# is the chip select for the task file registers
CS3FX#	L8			CS3FX# is used to select the alternate status register and the Device Control register.
CSEL	L9	I	I1U	This internally pulled-up signal is used to configure this device as a Master or a Slave. When this pin is grounded, this device is configured as a Master. When the pin is open, this device is configured as a Slave. The pin setting should remain the same from Power-on to Power-down.
IORD#	H2	I	I2Z	IORD#: This is an I/O Read Strobe generated by the host. When Ultra DMA mode is not active, this signal gates I/O data from the device.
				HDMARDY#: In Ultra DMA mode when DMA Read is active, this signal is asserted by the host to indicate that the host is ready to receive Ultra DMA data-in bursts. The host may negate HDMARDY# to pause an Ultra DMA transfer.
				HSTROBE: When DMA Write is active, this signal is the data-out strobe generated by the host. Both the rising and falling edges of HSTROBE cause data to be latched by the device. The host may stop generating HSTROBE edges to pause an Ultra DMA data-out burst.

Table 1: Pin Assignments (Continued) (2 of 3)

Symbol	Pin No.	Pin Type	I/O Type	Name and Functions
	91-TFBGA			
IOWR#	H9	I	I2Z	IOWR#: This is an I/O Write Strobe generated by the host. When Ultra DMA mode is not active, this signal is used to clock I/O data into the device.
				STOP: When Ultra DMA mode protocol is active, the assertion of this signal causes the termination of the Ultra DMA burst
IORDY	J4	O	I2Z	IORDY: When Ultra DMA mode DMA Write is not active and the device is not ready to respond to a data transfer request, this signal is negated to extend the Host transfer cycle. However, it is never negated by this controller.
				DDMARDY#: When Ultra DMA mode DMA Write is active, this signal is asserted by the host to indicate that the device is ready to receive Ultra DMA data-in bursts. The device may negate DDMARDY# to pause an Ultra DMA transfer.
				DSTROBE: When Ultra DMA mode DMA Read is active, this signal is the data-out strobe generated by the device. Both the rising and falling edges of DSTROBE cause data to be latched by the host. The device may stop generating DSTROBE edges to pause an Ultra DMA data-out burst.
IOCS16#	J8	O	O2	This output signal is asserted low when the device is indicating a word data transfer cycle.
INTRQ	J2	O	O1	This signal is the active high Interrupt Request to the host.
PDIAG#	K9	I/O	I1U/O1	The Pass Diagnostic signal in the Master/Slave handshake protocol.
DASP#	D9	I/O	I1U/O6	The Drive Active/Slave Present signal in the Master/Slave handshake protocol.
RESET#	E4	I	I2U	This input pin is the active low hardware reset from the host.
WP#/PD#	F6	I	I3U	The WP#/PD# pin can be used for either the Write Protect mode or Power-down mode, but only one mode is active at any time. The Write Protect or Power-down modes can be selected through the host command. The Write Protect mode is the factory default setting.
<b>Serial Communication Interface (SCI)</b>				
SCID <sub>OUT</sub>	D8	O	O4	SCI interface data output
SCID <sub>IN</sub>	D7	I	I3U	SCI interface data input
SCICLK	E7	I	I3U	SCI interface clock
<b>Miscellaneous</b>				
V <sub>SS</sub>	G4, G6, G7, K4, K6, K7, J9	PWR		Ground
V <sub>DD</sub>	E9, K5, L5, M2	PWR		V <sub>DD</sub> (3.3V)
V <sub>DDQ</sub>	E2, M9	PWR		V <sub>DDQ</sub> (5V/3.3V) for Host interface
POR#	J7	I	Analog Input <sup>1</sup>	Power-on Reset (POR). Active Low
V <sub>REG</sub>	D2	O		External capacitor pin

## Data Sheet

**Table 1: Pin Assignments (Continued) (3 of 3)**

Symbol	Pin No.	Pin Type	I/O Type	Name and Functions
	91-TFBGA			
DNU	D3, D4, D5, D6, E5,E6, F5, G5, L4, L6, L7, M3, M4,M5, M6,M7, M8, N2, N3, N4, N5, N6, N7, N8, N9, R9, R10,T9, T10,A1, A2, A9, A10,B1, B9,B10, R1, R2, T1, T2			Do not use.

1. Analog input for supply voltage detection

T1.4 1382



## Capacity Specification

Table 2 shows the default capacity and specific settings for heads, sectors, and cylinders. Users can change the default settings in the drive ID table using the Identity-Drive command. If the total number of bytes is less than the default, the remaining space could be used as spares to increase the flash drive endurance. It should also be noted that if the total flash drive capacity exceeds the total default number of bytes, the flash drive endurance will be reduced.

**Table 1:** Default NANDrive Settings

Capacity	Total Bytes	Cylinders	Heads	Sectors	Max LBA
512 MByte	512,483,328	993	16	63	1,000,944
1 GByte	1,024,966,656	1986	16	63	2,001,888
2 GByte	2,048,385,024	3969	16	63	4,000,752

T1.6.1382

**Table 2:** Sustained Performance

Product	Write Performance	Read Performance
GLS85LD0512-60-RI-LBTE	Up to 5 MByte/sec	Up to 17 MByte/sec
GLS85LD1001T-60-RI-LBTE	Up to 10 MByte/sec	Up to 30 MByte/sec
GLS85LD1002U-60-RI-LBTE	Up to 20 MByte/sec	Up to 30 MByte/sec

T2.1382

**Table 3:** Supported ATA Modes

Products	PIO	MWDMA	UltraDMA
GLS85LD0512-60-RI-LBTE GLS85LD1001T-60-RI-LBTE GLS85LD1002U-60-RI-LBTE	Up to Mode-6	Up to Mode-4	Up to Mode-4

T3.1382

**Table 4:** Advanced NAND Management Technology Write Cycles

Product	Write Cycles per Group	Number of Groups per Product	Wear-leveling Group Size	Cluster Size
GLS85LD0512-60-RI-LBTE	100M	4	128 MBytes	2 KBytes
GLS85LD1001T-60-RI-LBTE	100M	4	256 MBytes	4 KBytes
GLS85LD1002U-60-RI-LBTE	100M	4	512 MBytes	8 KBytes

T4.1382

## Configurable Write Protect/Power-down Modes

The WP#/PD# pin can be used for either Write Protect mode or Power-down mode, but only one mode is active at any time. Either mode can be selected through the host command, Set-WP#/PD#-Mode.

Once the mode is set with this command, the device will stay in the configured mode until the next time this command is issued. Power-off or reset will not change the configured mode.

### Write Protect Mode

When the device is configured in the Write Protect mode, the WP#/PD# pin offers extended data protection. This feature can be either selected through a jumper or host logic to protect the stored data from inadvertent system writes or erases, and viruses. The Write Protect feature protects the full address space of the data stored on the flash media.

In the Write Protect mode, the WP#/PD# pin should be asserted prior to issuing the destructive commands: Erase-Sector, Format-Track, Write-DMA, Write-Multiple, Write-Multiple-without-Erase, Write-Sector(s), Write-Sector-without-Erase, or Write-Verify. This will force the NANDrive to reject any destructive commands from the ATA interface. All destructive commands will return 51H in the Status register and 04H in the Error register signifying an invalid command. All non-destructive commands will be executed normally.

### Power-down Mode

When configuring the device in Power-down mode, if the WP#/PD# pin is asserted during a command, the NANDrive completes the current command and returns to the standby mode immediately to save power. Afterwards, the device will not accept any other commands. Only a Power-on Reset (POR) or hardware reset will bring the device to normal operation with the WP#/PD# pin deasserted.

## Power-on initialization and Capacity Expansion

NANDrive is self-initialized during the first power-up. As soon as the power is applied to the NANDrive it reports busy for typically up to five seconds while performing bad blocks search and low level format. This initialization is a one time event.

During the first self-initialization, the NANDrive firmware scans all connected flash media devices and reads their device ID. If the device ID matches the listed flash media devices, the NANDrive performs drive recognition based on the algorithm provided by the flash media suppliers, including setting up the bad block table, executing all the necessary handshaking routines for flash media support, and, finally, performing the low-level format.

If the drive initialization fails, and a visual inspection is unable to determine the problem, Greenliant provides a comprehensive interface for manufacturing flow debug. This interface not only allows debug of the failure and manual reset of the initialization process, but also allows customization of user definable options.

### ATA/IDE Interface

The ATA interface can be used for NANDrive manufacturing support. Greenliant provides an example of a DOS-based solution (an executable routine) for manufacturing debug and rework.

## Serial Communication Interface (SCI)

For additional manufacturing flexibility, the SCI bus can be used for manufacturing error reporting. The SCI consists of 3 active signals: SCIDOUT, SCIDIN, and SCICLK. Always provide SCI interface access to PCB design to aid in design validation.

## Lifetime Expectancy

NANDrive is available with two endurance options—standard NANDrive and NANDrive with advanced NAND management technology.

### NANDrive with Advanced NAND Management Technology

NANDrive with advanced NAND management technology significantly extends the life of a product with its extensive ECC, advanced wear-leveling, and data retention algorithms. Each NANDrive device is partitioned into four wear-leveling groups. See Table 5 for the group size of each product.

Each NANDrive wear-leveling group can receive at least 100 million write cycles from the host. With four wear-leveling groups in each product, 400 million write cycles per product is possible when host writes are evenly distributed across groups.

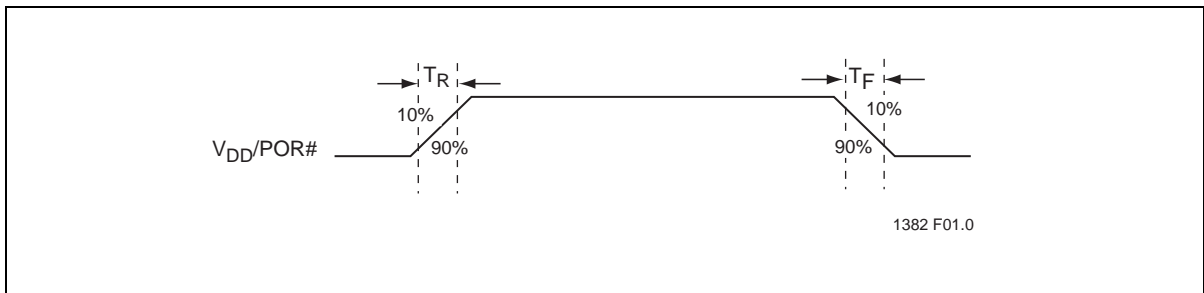
For applications where data security is essential, NANDrive with advanced NAND management technology offers two additional protection features—protection zones and password protections.

Protection zones - Up to four independent protection zones can be enabled as either Read-only or Hidden (Read/Write protected). If the zones are not enabled, the data is unprotected (default configuration).

Password Protection - Requires a customer-unique password to access information within the protected zones.

## Power-on and Brown-out Reset Characteristics

Please contact Greenliant to obtain NANDrive reference design schematics including the POR# circuit for industrial NANDrive offerings.



**Figure 1:** Power-on and Brown-out Reset Timing

**Table 1:** Power-on and Brown-out Reset Timing

Item	Symbol	Min	Max	Units
$V_{DD}/\text{POR}\#$ Rise Time <sup>1</sup>	$T_R$		250	ms
$V_{DD}/\text{POR}\#$ Fall Time <sup>2</sup>	$T_F$		250	ms

T1.0 1382

- $V_{DD}$  Rise Time should be faster than or equal to POR# Rise Time.
- $V_{DD}$  Fall Time should be slower than or equal to POR# Fall Time.

## I/O Transfer Function

The default operation for the NANDrive is 16-bit. However, if the host issues a Set-Feature command to enable 8-bit mode, the NANDrive permits 8-bit data access.

The following table defines the function of various operations.

**Table 2:** I/O Function

Function Code	CS3FX#	CS1FX#	A0-A2	IORD#	IOWR#	D15-D8	D7-D0
Invalid Mode	$V_{IL}$	$V_{IL}$	X	X	X	Undefined	Undefined
Standby Mode	$V_{IH}$	$V_{IH}$	X	X	X	High Z	High Z
Task File Write	$V_{IH}$	$V_{IL}$	1-7H	$V_{IH}$	$V_{IL}$	X	Data In
Task File Read	$V_{IH}$	$V_{IL}$	1-7H	$V_{IL}$	$V_{IH}$	High Z	Data Out
Data Register Write	$V_{IH}$	$V_{IL}$	0	$V_{IH}$	$V_{IL}$	In <sup>1</sup>	In
Data Register Read	$V_{IH}$	$V_{IL}$	0	$V_{IL}$	$V_{IH}$	Out <sup>1</sup>	Out
Control Register Write	$V_{IL}$	$V_{IH}$	6H	$V_{IH}$	$V_{IL}$	X	Control In
Alt Status Read	$V_{IL}$	$V_{IH}$	6H	$V_{IL}$	$V_{IH}$	High Z	Status Out

T2.0 1382

- If 8-bit data transfer mode is enabled.  
In 8-bit data transfer mode, High Byte is undefined for Data Out. For Data In, X can be  $V_{IH}$  or  $V_{IL}$ , but no other value.

## Software Interface

### NANDrive Command Description

This section defines the software requirements and the format of the commands the host sends to the NANDrive. Commands are issued to the NANDrive by loading the required registers in the command block with the supplied parameters, and then writing the command code to the Command register. With the exception of commands listed in Sections “Idle - 97H or E3H”, “Set-Sleep-Mode - 99H or E6H”, and “Set-WP#/PD#-Mode - 8BH”, NANDrive complies with ATA-6 Specifications.

### NANDrive Command Set

Table 8 summarizes the NANDrive command set.

**Table 3:** NANDrive Command Set (1 of 2)

Command	Code	FR <sup>1</sup>	SC <sup>2</sup>	SN <sup>3</sup>	CY <sup>4</sup>	DH <sup>5</sup>	LBA <sup>6</sup>
Check-Power-Mode	E5H or 98H	-	-	-	-	D <sup>8</sup>	-
Execute-Drive-Diagnostic	90H	-	-	-	-	D	-
Erase-Sector(s)	C0H	-	Y	Y	Y	Y	Y
Flush-Cache	E7H	-	-	-	-	D	-
Format-Track	50H	-	Y <sup>7</sup>	-	Y	Y <sup>8</sup>	Y
Identify-Drive	ECH	-	-	-	-	D	-
Idle	E3H or 97H	-	Y	-	-	D	-
Idle-Immediate	E1H or 95H	-	-	-	-	D	-
Initialize-Drive-Parameters	91H	-	Y	-	-	Y	-
NOP	00H	-	-	-	-	D	-
Read-Buffer	E4H	-	-	-	-	D	-
Read-DMA	C8H or C9H	-	Y	Y	Y	Y	Y
Read-Multiple	C4H	-	Y	Y	Y	Y	Y
Read-Sector(s)	20H or 21H	-	Y	Y	Y	Y	Y
Read-Verify-Sector(s)	40H or 41H	-	Y	Y	Y	Y	Y
Recalibrate	1XH	-	-	-	-	D	-
Request-Sense	03H	-	-	-	-	D	-
Security-Disable-Password	F6H	-	-	-	-	D	-
Security-Erase-Prepare	F3H	-	-	-	-	D	-
Security-Erase-Unit	F4H	-	-	-	-	D	-
Security-Freeze-Lock	F5H	-	-	-	-	D	-
Security-Set-Password	F1H	-	-	-	-	D	-
Security-Unlock	F2H	-	-	-	-	D	-
Seek	7XH	-	-	Y	Y	Y	Y
Set-Features	EFH	Y	-	-	-	D	-
SMART	B0H	Y	Y	Y	Y	D	-
Set-Multiple-Mode	C6H	-	Y	-	-	D	-
Set-Sleep-Mode	E6H or 99H	-	-	-	-	D	-
Set-WP#/PD#-Mode	8BH	Y	-	-	-	D	-
Standby	E2H or 96H	-	-	-	-	D	-

## Data Sheet

**Table 3: NANDrive Command Set (Continued) (2 of 2)**

Command	Code	FR <sup>1</sup>	SC <sup>2</sup>	SN <sup>3</sup>	CY <sup>4</sup>	DH <sup>5</sup>	LBA <sup>6</sup>
Standby-Immediate	E0H or 94H	-	-	-	-	D	-
Translate-Sector	87H	-	Y	Y	Y	Y	Y
Write-Buffer	E8H	-	-	-	-	D	-
Write-DMA	CAH or CBH	-	Y	Y	Y	Y	Y
Write-Multiple	C5H	-	Y	Y	Y	Y	Y
Write-Multiple-Without-Erase	CDH	-	Y	Y	Y	Y	Y
Write-Sector(s)	30H or 31H	-	Y	Y	Y	Y	Y
Write-Sector(s)-Without-Erase	38H	-	Y	Y	Y	Y	Y
Write-Verify	3CH	-	Y	Y	Y	Y	Y

T3.1 1382

1. FR - Features register
2. SC - Sector Count register
3. SN - Sector Number register
4. CY - Cylinder registers
5. DH - Drive/Head register
6. LBA - Logical Block Address mode supported (see command descriptions for use)
7. Y - The register contains a valid parameter for this command.
8. For the Drive/Head register: Y means both the NANDrive and Head parameters are used;  
D means only the NANDrive parameter is valid and not the Head parameter.

**Identify-Drive - ECH**

Bit ->	7	6	5	4	3	2	1	0
Command (7)	ECH							
C/D/H (6)	X		Drive		X			
Cyl High (5)	X							
Cyl Low (4)	X							
Sec Num (3)	X							
Sec Cnt (2)	X							
Feature (1)	X							

The Identify-Drive command enables the host to receive parameter information from the NANDrive. This command has the same protocol as the Read-Sector(s) command. The parameter words in the buffer have the arrangement and meanings defined in Table 9. All reserved bits or words are zero. Table 9 gives the definition for each field in the Identify-Drive information.

**Table 4:** Identify-Drive Information (1 of 2)

Word Address	Default Value <sup>1</sup>	Total Bytes	Data Field Type Information
0	044AH	2	General configuration bit
1	bbbbH <sup>2</sup>	2	Default number of cylinders
2	0000H	2	Reserved
3	bbbbH <sup>2</sup>	2	Default number of heads
4	0000H	2	Reserved
5	XXXXH	2	Vendor Unique
6	bbbbH <sup>2</sup>	2	Default number of sectors per track
7-8	bbbbH <sup>3</sup>	4	Number of sectors per device (Word 7 = MSW, Word 8 = LSW)
9	xxxxH	2	Vendor Unique
10-14	eeeeH <sup>4</sup>	10	User-programmable serial number in ASCII
15-19	ddddH <sup>5</sup>	10	Greenliant preset, unique ID in ASCII
20	0002H	2	Buffer type
21	xxxxH	2	Vendor Unique
22	xxxxH	2	Vendor Unique
23-26	aaaaH <sup>6</sup>	8	Firmware revision in ASCII. Big Endian Byte Order in Word
27-46	ccccH <sup>7</sup>	40	User Definable Model number
47	8001H	2	Maximum number of sectors on Read/Write-Multiple command
48	0000H	2	Reserved
49	0B00H	2	Capabilities
50	0000H	2	Reserved
51	0200H	2	PIO data transfer cycle timing mode
52	0000H	2	Reserved
53	0007H	2	Translation parameters are valid
54	nnnnH	2	Current numbers of cylinders
55	nnnnH	2	Current numbers of heads
56	nnnnH	2	Current sectors per track
57-58	nnnnH	4	Current capacity in sectors (LBAs) (Word 57 = LSW, Word 58 = MSW)
59	010X	2	Multiple sector setting
60-61	nnnnH	4	Total number of sectors addressable in LBA mode
62	0000H	2	Reserved
63	0x07H	2	DMA data transfer is supported in NANDrive
64	0003H	2	Advanced PIO Transfer mode supported
65	0078H	2	120 ns cycle time support for Multi-word DMA Mode-2
66	0078H	2	120 ns cycle time support for Multi-word DMA Mode-2
67	0078H	2	PIO Mode-4 supported
68	0078H	2	PIO Mode-4 supported
69-79	0000H	22	Reserved
80	007EH	2	ATA major version number
81	0019H	2	ATA minor version number
82	706BH	2	Features/command sets supported
83	400CH	2	Features/command sets supported

## Data Sheet

**Table 4: Identify-Drive Information (Continued) (2 of 2)**

Word Address	Default Value <sup>1</sup>	Total Bytes	Data Field Type Information
84	4000H	2	Features/command sets supported
85-87	xxxxH	6	Features/command sets enabled
88	xx1FH	2	UDMA modes
89	xxxxH	2	Time required for security erase unit completion
90	xxxxH	2	Time required for enhanced security erase unit completion
91-127	0000H	74	Reserved
128	xxxxH	2	Security Status
129-159	0000H	62	Vendor unique bytes
160-162	0000H	6	Reserved
163	xx2H	2	CF Advanced True IDE Timing Mode capabilities and settings
164-255	0000H	184	Reserved

T4.4 1382

1. XXXX = This field is subject to change by the host or the device.
2. bbbb - default value set by controller. The selections could be user programmable.
3. n - calculated data based on product configuration
4. eeee - the default value is '0000000000'
5. dddd - unique number of each device
6. aaaa - any unique Greenliant firmware revision
7. cccc - default value is "xxxMB NANDrive" or "xxxGB NANDrive" where xxx is the flash drive capacity. The user has an option to change the model number during manufacturing.

**Word 0: General Configuration**

This field informs the host that this is a non-magnetic, hard sectored, removable storage device with a transfer rate greater than 10 MByte/sec and is not MFM encoded.

**Word 1: Default Number of Cylinders**

This field contains the number of translated cylinders in the default translation mode. This value will be the same as the number of cylinders.

**Word 3: Default Number of Heads**

This field contains the number of translated heads in the default translation mode.

**Word 6: Default Number of Sectors per Track**

This field contains the number of sectors per track in the default translation mode.

**Word 7-8: Number of Sectors**

This field contains the number of sectors per NANDrive. This double word value is also the first invalid address in LBA translation mode. This field is only required by CF feature set support.

**Word 10-19: Serial Number**

The contents of this field are right justified and padded with spaces (20H). The right-most ten bytes are a Greenliant preset, unique ID. The left-most ten bytes are a user-programmable value with a default value of spaces.



**Word 20: Buffer Type**

This field defines the buffer capability:

0002H: a dual ported multi-sector buffer capable of simultaneous data transfers to or from the host and the NANDrive.

**Word 23-26: Firmware Revision**

This field contains the revision of the firmware for this product.

**Word 27-46: Model Number**

This field is reserved for the model number for this product.

**Word 47: Read-/Write-Multiple Sector Count**

This field contains the maximum number of sectors that can be read or written per interrupt using the Read-Multiple or Write-Multiple commands. Only a value of '1' is supported.

**Word 49: Capabilities**

Bit	Function
13	Standby Timer 0: forces sleep mode when host is inactive.
11	IORDY Support 1: NANDrive supports PIO Mode-4.
9	LBA support 1: NANDrive supports LBA mode addressing.
8	DMA Support 1: DMA mode is supported.

**Word 51: PIO Data Transfer Cycle Timing Mode**

This field defines the mode for PIO data transfer. NANDrive supports up to PIO Mode-4.

**Word 53: Translation Parameters Valid**

Bit	Function
0	1: words 54-58 are valid and reflect the current number of cylinders, heads and sectors.
1	1: words 64-70 are valid to support PIO Mode-3 and 4.
2	1: words 88 are valid to support Ultra DMA data transfer.

**Word 54-56: Current Number of Cylinders, Heads, Sectors/Track**

These fields contains the current number of user addressable Cylinders, Heads, and Sectors/Track in the current translation mode.

**Word 57-58: Current Capacity**

This field contains the product of the current cylinders times heads times sectors.

## Data Sheet

**Word 59: Multiple Sector Setting**

This field contains a validity flag in the Odd Byte and the current number of sectors that can be transferred per interrupt for Read/Write Multiple in the Even Byte. The Odd Byte is always 01H which indicates that the Even Byte is always valid.

The Even Byte value depends on the value set by the Set Multiple command. The Even Byte of this word by default contains a 00H which indicates that Read/Write Multiple commands are not valid.

**Word 60-61: Total Sectors Addressable in LBA Mode**

This field contains the number of sectors addressable for the NANDrive in LBA mode only.

**Word 63: Multi-word DMA Transfer Mode**

This field identifies the multi-word DMA transfer modes supported by the NANDrive and indicates the mode that is currently selected. Only one DMA mode can be selected at any given time.

Bit	Function
15-11	Reserved
10	Multi-word DMA mode 2 selected 1: Multi-word DMA mode 2 is selected and bits 8 and 9 are cleared to 0 0: Multi-word DMA mode 2 is not selected.
9	Multi-word DMA mode 1 selected 1: Multi-word DMA mode 1 is selected and 8 and 10 should be cleared to 0. 0: Multi-word DMA mode 1 is not selected.
8	Multi-word DMA mode 0 selected 1: Multi-word DMA mode 0 is selected and bits 9 and 10 are cleared to 0. 0: Multi-word DMA mode 0 is not selected.
7-3	Reserved
2	Multi-word DMA mode 2 supported 1: Multi-word DMA mode 2 and below are supported and Bits 0 and 1 are set to 1.
1	Multi-word DMA mode 1 supported 1: Multi-word DMA mode 1 and below are supported.
0	Multi-word DMA mode 0 supported 1: Multi-word DMA mode 0 is supported.

**Word 64: Advanced PIO Data Transfer Mode**

Bits [7:0] is defined as the PIO data and register transfer supported field. If this field is supported, bit 1 of word 53 shall be set to one. This field is bit significant. Any number of bits may be set to one in this field by the device to indicate the PIO modes the device is capable of supporting. Of these bits, bits [7:2] are Reserved for future PIO modes.

Bit	Function
0	1: NANDrive supports PIO Mode-3.
1	1: NANDrive supports PIO Mode-4.

**Word 65: Minimum Multi-word DMA**

### Transfer Cycle Time Per Word

This field defines the minimum Multi-word DMA transfer cycle time per word. This field defines, in nanoseconds, the minimum cycle time that the NANDrive supports when performing Multi-word DMA transfers on a per word basis. Greenliant's NANDrive supports up to Multi-word DMA Mode-2, so this field is set to 120ns.

#### **Word 66: Device Recommended Multi-word DMA Cycle Time**

This field defines the NANDrive recommended Multi-word DMA transfer cycle time. This field defines, in nanoseconds, the minimum cycle time per word during a single sector host transfer while performing a multiple sector READ DMA or WRITE DMA command for any location on the media under nominal conditions. If a host runs at a faster cycle rate by operating at a cycle time of less than this value, the NANDrive may negate DMARQ for flow control. The rate at which DMARQ is negated could result in reduced throughput despite the faster cycle rate. Transfer at this rate does not ensure that flow control will not be used, but implies that higher performance may result. Greenliant's NANDrive supports up to Multi-word DMA Mode-2, so this field is set to 120 ns.

#### **Word 67: Minimum PIO Transfer Cycle Time Without Flow Control**

This field defines, in nanoseconds, the minimum cycle time that, if used by the host, the device guarantees data integrity during the transfer without utilization of IORDY flow control. If this field is supported, Bit 1 of word 53 shall be set to one. The NANDrive's minimum cycle time is 120 ns. A value of 0078H is reported.

#### **Word 68: Minimum PIO Transfer Cycle Time With IORDY**

This field defines, in nanoseconds, the minimum cycle time that the device supports while performing data transfers while utilizing IORDY flow control. If this field is supported, Bit 1 of word 53 shall be set to one. The NANDrive's minimum cycle time is 120 ns, e.g., PIO Mode-4. A value of 0078H is reported.

#### **Word 80: Major Version Number**

If not 0000H or FFFFH, the device claims compliance with the major version(s) as indicated by bits [6:1] being set to one. Since ATA standards maintain downward compatibility, a device may set more than one bit. GLS55VD020 supports ATA-1 to ATA-6.

#### **Word 81: Minor Version Number**

If an implementer claims that the revision of the standard they used to guide their implementation does not need to be reported or if the implementation was based upon a standard prior to the ATA-3 standard, word 81 should be 0000H or FFFFH.

A value of 0019H reported in word 81 indicates ATA-6 T13 1410D revision 3a guided the implementation.

## Data Sheet

**Words 82-84: Features/command sets supported**

Words 82, 83, and 84 indicate the features and command sets supported. A value of 706BH is reported.

**Word 82**

Bit	Function
15	0: Obsolete
14	1: NOP command is supported
13	1: Read Buffer command is supported
12	1: Write Buffer command is supported
11	0: Obsolete
10	0: Host Protected Area feature set is not supported
9	0: Device Reset command is not supported
8	0: Service interrupt is not supported
7	0: Release interrupt is not supported
6	1: Look-ahead is supported
5	1: Write cache is supported
4	0: Packet Command feature set is not supported
3	1: Power Management feature set is supported
2	0: Removable Media feature set is not supported
1	1: Security Mode feature set is supported
0	1: SMART feature set is supported

**Word 83**

The values in this word should not be depended on by host implementers.

Bit	Function
15	0: Provides indication that the features/command sets supported words are not valid
14	1: Provides indication that the features/command sets supported words are valid
13-9	0: Reserved
8	0: Set-Max security extension is not supported
7-5	0: Reserved
4	0: Removable Media Status feature set is not supported
3	1: Advanced Power Management feature set is supported
2	1: CFA feature set is supported
1	0: Read DMA Queued and Write DMA Queued commands are not supported
0	0: Download Microcode command is not supported

**Word 84**

The values in this word should not be depended on by host implementers.

Bit	Function
15	0: Provides indication that the features/command sets supported words are valid
14	1: Provides indication that the features/command sets supported words are valid

13-0 0: Reserved

**Words 85-87: Features/command sets enabled**

Words 85, 86, and 87 indicate features/command sets enabled.

The host can enable/disable the features or command set only if they are supported in Words 82-84.

**Word 85**

Bit	Function
15	0: Obsolete
14	0: NOP command is not enabled 1: NOP command is enabled
13	0: Read Buffer command is not enabled 1: Read Buffer command is enabled
12	0: Write Buffer command is not enabled 1: Write Buffer command is enabled
11	0: Obsolete
10	1: Host Protected Area feature set is enabled
9	0: Device Reset command is not enabled
8	0: Service interrupt is not enabled
7	0: Release interrupt is not enabled
6	0: Look-ahead is not enabled 1: Look-ahead is enabled
5	0: Write cache is not enabled 1: Write cache is enabled
4	0: Packet Command feature set is not enabled
3	0: Power Management feature set is not enabled 1: Power Management feature set is enabled
2	0: Removable Media feature set is not enabled
1	0: Security Mode feature set has not been enabled via the Security Set Password command 1: Security Mode feature set has been enabled via the Security Set Password command
0	0: SMART feature set is not enabled

**Word 86**

Bit	Function
15-9	0: Reserved
8	1: Set-Max security extension supported
7-5	0: Reserved
4	0: Removable Media Status feature set is not enabled
3	0: Advanced Power Management feature set is not enabled
2	0: CFA feature set is disabled
1	0: Read DMA Queued and Write DMA Queued commands are not enabled
0	0: Download Microcode command is not enabled

## Data Sheet

**Word 87**

The values in this word should not be depended on by host implementers.

**Bit      Function**

- 15      0: Provides indication that the features/command sets supported words are valid
- 14      1: Provides indication that the features/command sets supported words are valid
- 13-0    0: Reserved

**Word 88****Bit      Function**

- 15-13   Reserved
- 12      1: Ultra DMA mode 4 is selected  
          0: Ultra DMA mode 4 is not selected
- 11      1: Ultra DMA mode 3 is selected  
          0: Ultra DMA mode 3 is not selected
- 10      1: Ultra DMA mode 2 is selected  
          0: Ultra DMA mode 2 is not selected
- 9        1: Ultra DMA mode 1 is selected  
          0: Ultra DMA mode 1 is not selected
- 8        1: Ultra DMA mode 0 is selected  
          0: Ultra DMA mode 0 is not selected
- 7-5     Reserved
- 4        1: Ultra DMA mode 4 and below are supported
- 3        1: Ultra DMA mode 3 and below are supported
- 2        1: Ultra DMA mode 2 and below are supported
- 1        1: Ultra DMA mode 1 and below are supported
- 0        1: Ultra DMA mode 0 is supported

**Word 89: Time required for Security erase unit completion**

Word 89 specifies the time required for the Security Erase Unit command to complete.

Value	Time
0	Value not specified
1-254	(Value * 2) minutes
255	>508 minutes

**Word 90: Time required for Enhanced security erase unit completion**

Word 90 specifies the time required for the Enhanced Security Erase Unit command to complete.

Value	Time
0	Value not specified
1-254	(Value * 2) minutes
255	>508 minutes

**Word 128: Security Status**

Bit	Function
8	Security Level 1: Security mode is enabled and the security level is maximum 0: and security mode is enabled, indicates that the security level is high
5	Enhanced security erase unit feature supported 1: Enhanced security erase unit feature set is supported
4	Expire 1: Security count has expired and Security Unlock and Security Erase Unit are command aborted until a Power-on reset or hard reset
3	Freeze 1: Security is frozen
2	Lock 1: Security is locked
1	Enable/Disable 1: Security is enabled 0: Security is disabled
0	Capability 1: NANDrive supports security mode feature set 0: NANDrive does not support security mode feature set

**Word 163: CF Advanced True IDE Timing Mode Capabilities and Settings**

This word describes the capabilities and current settings for CF modes utilizing the True IDE interface.

Four separate fields determine support and selection options in the Advanced PIO and Advanced Multiword DMA timing modes. For information on the older modes, see “Word 63: Multi-word DMA Transfer Mode” on page 16 and “Word 64: Advanced PIO Data Transfer Mode” on page 16. When the Identity drive command executes, the device returns 0492H.

Bit	Function
2-0	Advanced True IDE PIO Mode Support Indicates the maximum True IDE PIO mode supported by the card

Value	Time
0	Specified in word 64
1	PIO Mode 5
2	PIO Mode 6
3-7	Reserved

## Data Sheet

5-3      Advanced True IDE Multiword DMA Mode Support  
 Indicates the maximum True IDE Multiword DMA mode supported by the card

Value	Time
0	Specified in word 63
1	Multiword DMA Mode 3
2	Multiword DMA Mode 4
3-7	Reserved

8-6      Advanced True IDE PIO Mode Selected  
 Indicates the current True IDE PIO mode selected on the card

Value	Time
0	Specified in word 64
1	PIO Mode 5
2	PIO Mode 6
3-7	Reserved

11-9     Advanced True IDE Multiword DMA Mode Selected  
 Indicates the current True IDE Multiword DMA mode selected on the card

Value	Time
0	Specified in word 63
1	Multiword DMA Mode 3
2	Multiword DMA Mode 4
3-7	Reserved

15-12    Reserved

**Set-Features - EFH**

Bit ->	7	6	5	4	3	2	1	0
<b>Command (7)</b>	EFH							
<b>C/D/H (6)</b>	X			Drive	X			
<b>Cyl High (5)</b>	X							
<b>Cyl Low (4)</b>	X							
<b>Sec Num (3)</b>	X							
<b>Sec Cnt (2)</b>	Config							
<b>Feature (1)</b>	Feature							

This command is used by the host to establish or select certain features. Table 10 defines all features that are supported.



**Table 5: Features Supported**

Feature	Operation
01H	Enable 8-bit data transfers.
02H	Enable Write cache
03H	Set transfer mode based on value in Sector Count register. Table 11 defines the values.
09H	Enable Extended Power Operations
55H	Disable Read Look Ahead.
66H	Disable Power-on Reset (POR) establishment of defaults at software reset.
69H	NOP - Accepted for backward compatibility.
81H	Disable 8-bit data transfer.
82H	Disable Write Cache
89H	Disable Extended Power operations
96H	NOP - Accepted for backward compatibility.
97H	Accepted for backward compatibility. Use of this Feature is not recommended.
AAH	Enable Read-Look-Ahead
CCH	Enable Power-on Reset (POR) establishment of defaults at software reset.

T5.0 1382

Features 01H and 81H are used to enable and clear 8-bit data transfer mode. If the 01H feature command is issued all data transfers will occur on the low order D<sub>7</sub>-D<sub>0</sub> data bus and the IOCS16# signal will not be asserted for data register accesses.

Features 02H and 82H allow the host to enable or disable write cache in the NANDrives that implement write cache. When the subcommand Disable-Write-Cache is issued, the NANDrive should initiate the sequence to flush cache to non-volatile memory before command completion.

Feature 03H allows the host to select the transfer mode by specifying a value in the Sector Count register. The upper 5 bits define the type of transfer and the low order 3 bits encode the mode value. One PIO mode is selected at all times. The host may change the selected modes by the Set-Features command.

Feature 55H is the default feature for the NANDrive. Therefore, the host does not have to issue Set-Features command with this feature unless it is necessary for compatibility reasons.

Features 66H and CCH can be used to enable and disable whether the Power-on Reset (POR) Defaults will be set when a software reset occurs.

**Table 6: Transfer Mode Values**

Mode	Bits [7:3]	Bits [2:0]
PIO default mode	00000b	000b
PIO default mode, disable IORDY	00000b	001b
PIO flow control transfer mode	00001b	mode <sup>1</sup>
Multi-word DMA mode	00100b	mode <sup>1</sup>
Ultra-DMA mode	01000b	mode <sup>1</sup>
Reserved	Other	N/A

T6.1 1382

1. Mode = transfer mode number, all other values are not valid

## Data Sheet

**Idle - 97H or E3H**

Bit ->	7	6	5	4	3	2	1	0
Command (7)	97H or E3H							
C/D/H (6)	X			Drive	X			
Cyl High (5)					X			
Cyl Low (4)					X			
Sec Num (3)					X			
Sec Cnt (2)	Timer Count (5 msec increments)							
Feature (1)					X			

This command causes the NANDrive to set BSY, enter the Idle mode, clear BSY and generate an interrupt. If the sector count is non-zero, it is interpreted as a timer count with each count being 5 milliseconds and the automatic Power-down mode is enabled. If the sector count is zero, the automatic Power-down mode is also enabled, the timer count is set to 3, with each count being 5 ms. Note that this time base (5 msec) is different from the ATA specification.

**Set-Sleep-Mode - 99H or E6H**

Bit ->	7	6	5	4	3	2	1	0
Command (7)	99H or E6H							
C/D/H (6)	X			Drive	X			
Cyl High (5)					X			
Cyl Low (4)					X			
Sec Num (3)					X			
Sec Cnt (2)					X			
Feature (1)					X			

This command causes the NANDrive to set BSY, enter the Sleep mode, clear BSY and generate an interrupt. Recovery from sleep mode is accomplished by simply issuing another command (a reset is permitted but not required). Sleep mode is also entered when internal timers expire so the host does not need to issue this command except when it wishes to enter Sleep mode immediately. The default value for the timer is 15 milliseconds.

**Set-WP#/PD#-Mode - 8BH**

Bit ->	7	6	5	4	3	2	1	0
<b>Command (7)</b>	8BH							
<b>C/D/H (6)</b>	X			Drive	X			
<b>Cyl High (5)</b>	6EH							
<b>Cyl Low (4)</b>	44H							
<b>Sec Num (3)</b>	72H							
<b>Sec Cnt (2)</b>	50H							
<b>Feature (1)</b>	55H or AAH							

This command configures the WP#/PD# pin for either the Write Protect mode or the Power-down mode. When the host sends this command to the device with the value AAH in the feature register, the WP#/PD# pin is configured for the Write Protect mode. The Write Protect mode is the factory default setting. When the host sends this command to the device with the value 55H in the feature register, WP#/PD# is configured for the Power-down mode.

All values in the C/D/H register, the Cylinder Low register, the Cylinder High register, the Sector Number register, the Sector Count register, and the Feature register need to match the values shown above, otherwise, the command will be treated as an invalid command.

Once the mode is set with this command, the device will stay in the configured mode until the next time this command is issued. Power-off or reset will not change the configured mode.

## Data Sheet

**Error Posting**

The following table summarizes the valid status and error values for the NANDrive command set.

**Table 7: Error and Status Register<sup>1</sup>**

Command	Error Register					Status Register				
	BBK	UNC	IDNF	ABR T	AMNF	RDY	DWF	DSC	CORR	ERR
Check-Power-Mode				√		√	√	√		√
Execute-Drive-Diagnostic						√		√		√
Erase-Sector(s)	√		√	√	√	√	√	√		√
Flush-Cache				√		√	√	√		√
Format-Track			√	√	√	√	√	√		√
Identify-Drive				√		√	√	√		√
Idle				√		√	√	√		√
Idle-Immediate				√		√	√	√		√
Initialize-Drive-Parameters						√		√		√
NOP				√		√	√			√
Read-Buffer				√		√	√	√		√
Read-DMA	√	√	√	√	√	√	√	√	√	√
Read-Multiple	√	√	√	√	√	√	√	√	√	√
Read-Sector(s)	√	√	√	√	√	√	√	√	√	√
Read-Verify-Sector(s)	√	√	√	√	√	√	√	√	√	√
Recalibrate				√		√	√	√		√
Request-Sense				√		√		√		√
Security-Disable-Password				√		√	√	√		√
Security-Erase-Prepare				√		√	√	√		√
Security-Erase-Unit				√		√	√	√		√
Security-Freeze-Lock				√		√	√	√		√
Security-Set-Password				√		√	√	√		√
Security-Unlock				√		√	√	√		√
Seek			√	√		√	√	√		√
Set-Features				√		√	√	√		√
Set-Multiple-Mode				√		√	√	√		√
Set-Sleep-Mode				√		√	√	√		√
Set-WP#/PD#-Mode				√		√		√		√
SMART			√	√		√	√	√		√
Standby				√		√	√	√		√
Standby-Immediate				√		√	√	√		√
Translate-Sector	√		√	√	√	√	√	√		√
Write-Buffer				√		√	√	√		√
Write-DMA	√		√	√	√	√	√	√		√
Write-Multiple	√		√	√	√	√	√	√		√
Write-Multiple-Without-Erase	√		√	√	√	√	√	√		√
Write-Sector(s)	√		√	√	√	√	√	√		√
Write-Sector(s)-Without-Erase	√		√	√	√	√	√	√		√
Write-Verify	√		√	√	√	√	√	√		√
Invalid-Command-Code				√		√	√	√		√

T7.3 1382

1. The host is required to reissue any media access command (such as Read-Sector and Write Sector) that ends with an error condition.

## Electrical Specifications

**Absolute Maximum Stress Ratings** (Applied conditions greater than those listed under “Absolute Maximum Stress Ratings” may cause permanent damage to the device. This is a stress rating only and functional operation of the device at these conditions or conditions greater than those defined in the operational sections of this data sheet is not implied. Exposure to absolute maximum stress rating conditions may affect device reliability.)

Temperature Under Bias	-55°C to +125°C
Storage Temperature	-65°C to +150°C
D.C. Voltage on Pins <sup>1</sup> I3, I4, O4, and O5 to Ground Potential	-0.5V to V <sub>DD</sub> +0.5V
Transient Voltage (<20 ns) on Pins <sup>1</sup> I3, I4, O4, and O5 to Ground Potential	-2.0V to V <sub>DD</sub> +2.0V
D.C. Voltage on Pins <sup>1</sup> I1, I2, O1, O2, and O6 to Ground Potential	-0.5V to V <sub>DDQ</sub> +0.5V
Transient Voltage (<20 ns) on Pins <sup>1</sup> I1, I2, O1, O2, and O6 to Ground Potential	-2.0V to V <sub>DDQ</sub> +2.0V
Package Power Dissipation Capability (T <sub>A</sub> = 25°C)	1.0W
Through Hole Lead Soldering Temperature (10 Seconds)	300°C
Surface Mount Solder Reflow Temperature	260°C for 10 seconds
Output Short Circuit Current <sup>2</sup>	50 mA

1. Refer to Table 1 for pin assignment information.
2. Outputs shorted for no more than one second. No more than one output shorted at a time.

**Table 8:** Absolute Maximum Power Pin Stress Ratings

Parameter	Symbol	Conditions
Input Power	V <sub>DDQ</sub> V <sub>DD</sub>	-0.3V min to 6.5V max -0.3V min to 4.0V max
Voltage on all pins with respect to V <sub>SS</sub>		-0.5V min to V <sub>DDQ</sub> + 0.5V max

T8.0 1382

**Table 9:** Operating Range

Range	Ambient Temperature	V <sub>DDQ</sub>				V <sub>DD</sub>	
		3.3V		5V		3.3V	
		Min	Max	Min	Max	Min	Max
Industrial	-40°C to +85°C	3.135V	3.465V	4.5V	5.5V	3.135V	3.465V

**Table 10:** AC Conditions of Test<sup>1</sup>

Input Rise/Fall Time	Output Load
10 ns	C <sub>L</sub> = 100 pF

T10.1 1382

1. See Figure 4

## Data Sheet

**Table 11: Recommended System Power-on Timing**

Symbol	Parameter	Typical	Maximum	Units
$T_{PU-INITIAL}$	Drive Initialization to Ready	3 sec + (0.5 sec/ GByte)	100	sec
$T_{PU-READY1}^1$	Host Power-on/Reset to Ready Operation	200	1000	ms
$T_{PU-WRITE1}^1$	Host Power-on/Reset to Write Operation	200	1000	ms

T11.3 1382

1. This parameter is measured only for initial qualification and after a design or process change that could affect this parameter.

**Table 12: Capacitance (Ta = 25°C, f=1 MHz, other pins open)**

Parameter	Description	Test Condition	Maximum
$C_{I/O}^1$	I/O Pin Capacitance	$V_{I/O} = 0V$	10 pF
$C_{IN}^1$	Input Capacitance	$V_{IN} = 0V$	10 pF

T12.1 1382

1. This parameter is measured only for initial qualification and after a design or process change that could affect this parameter.

**Table 13: Reliability Characteristics**

Symbol	Parameter	Minimum Specification	Units	Test Method
$I_{LTH}^1$	Latch Up	$100 + I_{DD}$	mA	JEDEC Standard 78

T13.0 1382

1. This parameter is measured only for initial qualification and after a design or process change that could affect this parameter.

DC Characteristics

(GLS85LD0512/1001T/1002U)

Table 14: DC Characteristic for Host Interface  $V_{DDQ} = 3.3V$  or  $5V$

Symbol	Type	Parameter	Min	Max	Units	Conditions
$V_{IH1}$ $V_{IL1}$	I1	Input Voltage	2.0	0.8	V	$V_{DDQ}=V_{DDQ}$ Max $V_{DDQ}=V_{DDQ}$ Min
$I_{IL1}$	I1Z	Input Leakage Current	-10	10	$\mu A$	$V_{IN} = GND$ to $V_{DDQ}$ , $V_{DDQ} = V_{DDQ}$ Max
$I_{U1}$	I1U	Input Pull-Up Current	-150	-6	$\mu A$	$V_{OUT} = GND$ , $V_{DDQ} = V_{DDQ}$ Max
$V_{T+2}$ $V_{T-2}$	I2	Input Voltage Schmitt Trigger	0.8	2.0	V	$V_{DDQ}=V_{DDQ}$ Max $V_{DDQ}=V_{DDQ}$ Min
$I_{IL2}$	I2Z	Input Leakage Current	-10	10	$\mu A$	$V_{IN} = GND$ to $V_{DDQ}$ , $V_{DDQ} = V_{DDQ}$ Max
$I_{U2}$	I2U	Input Pull-Up Current	-150	-6	$\mu A$	$V_{OUT} = GND$ , $V_{DDQ} = V_{DDQ}$ Max
$V_{OH1}$ $V_{OL1}$	O1	Output Voltage	2.4	0.4	V	$I_{OH1}=I_{OH1}$ Min $I_{OL1}=I_{OL1}$ Max
$I_{OH1}$		Output Current	-4		mA	$V_{DDQ}=V_{DDQ}$ Min
$I_{OL1}$		Output Current		4	mA	$V_{DDQ}=V_{DDQ}$ Min
$V_{OH2}$ $V_{OL2}$	O2	Output Voltage	2.4	0.4	V	$I_{OH2}=I_{OH2}$ Min $I_{OL2}=I_{OL2}$ Max
$I_{OH2}$		Output Current	-8		mA	$V_{DDQ}=2.7V$
$I_{OL2}$		Output Current		8	mA	$V_{DDQ}$ Min
$V_{OH6}$ $V_{OL6}$	O6	Output Voltage for DASP# pin	2.4	0.4	V	$I_{OH6}=I_{OH6}$ Min $I_{OL6}=I_{OL6}$ Max
$I_{OH6}$		Output Current for DASP# pin	-4		mA	$V_{DDQ}=2.7-3.465V$
$I_{OL6}$		Output Current for DASP# pin		12	mA	$V_{DDQ}=2.7-3.465V$
$I_{OH6}$		Output Current for DASP# pin	-4		mA	$V_{DDQ}=4.5V-5.5V$
$I_{OL6}$		Output Current for DASP# pin		12	mA	$V_{DDQ}=4.5V-5.5V$

T14.1 1382

Data Sheet

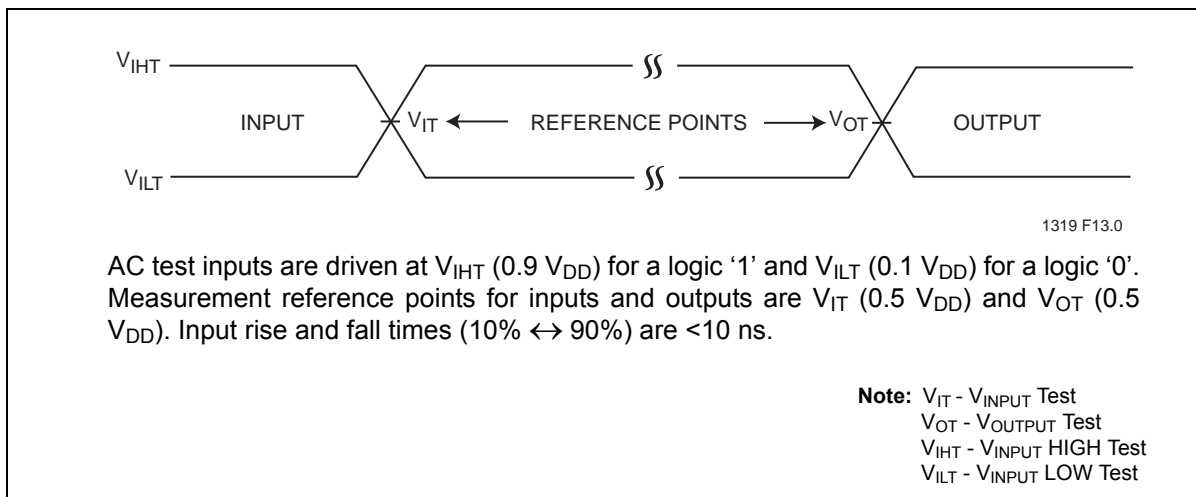
**Table 15: Power Consumption**

Product	Symbol	Type	Parameter	Min	Max	Units	Conditions
GLS85LD0512-60-RI-LBTE	$I_{DD}^{1,2}$	PWR	Power supply current ( $T_A = -40^\circ\text{C}$ to $+85^\circ\text{C}$ )		130	mA	$V_{DD}=V_{DD}$ Max; $V_{DDQ}=V_{DDQ}$ Max
	$I_{SP}$	PWR	Sleep/Standby/Idle current ( $T_A = -40^\circ\text{C}$ to $+85^\circ\text{C}$ )		1000	$\mu\text{A}$	$V_{DD}=V_{DD}$ Max; $V_{DDQ}=V_{DDQ}$ Max
GLS85LD1001T-60-RI-LBTE	$I_{DD}^{1,2}$	PWR	Power supply current ( $T_A = -40^\circ\text{C}$ to $+85^\circ\text{C}$ )		160	mA	$V_{DD}=V_{DD}$ Max; $V_{DDQ}=V_{DDQ}$ Max
	$I_{SP}$	PWR	Sleep/Standby/Idle current ( $T_A = -40^\circ\text{C}$ to $+85^\circ\text{C}$ )		1050	$\mu\text{A}$	$V_{DD}=V_{DD}$ Max; $V_{DDQ}=V_{DDQ}$ Max
GLS85LD1002U-60-RI-LBTE	$I_{DD}^{1,2}$	PWR	Power supply current ( $T_A = -40^\circ\text{C}$ to $+85^\circ\text{C}$ )		220	mA	$V_{DD}=V_{DD}$ Max; $V_{DDQ}=V_{DDQ}$ Max
	$I_{SP}$	PWR	Sleep/Standby/Idle current ( $T_A = -40^\circ\text{C}$ to $+85^\circ\text{C}$ )		1150	$\mu\text{A}$	$V_{DD}=V_{DD}$ Max; $V_{DDQ}=V_{DDQ}$ Max

T15.2 1382

1. Sequential data transfer for 1 sector read data from host interface and write data to media.
2. This parameter is measured only for initial qualification and after a design or process change that could affect this parameter.

## AC Characteristics



**Figure 2: AC Input/Output Reference Waveforms**



## Appendix

### Differences between the Greenliant NANDrive and ATA-6 Specifications

#### Idle Timer

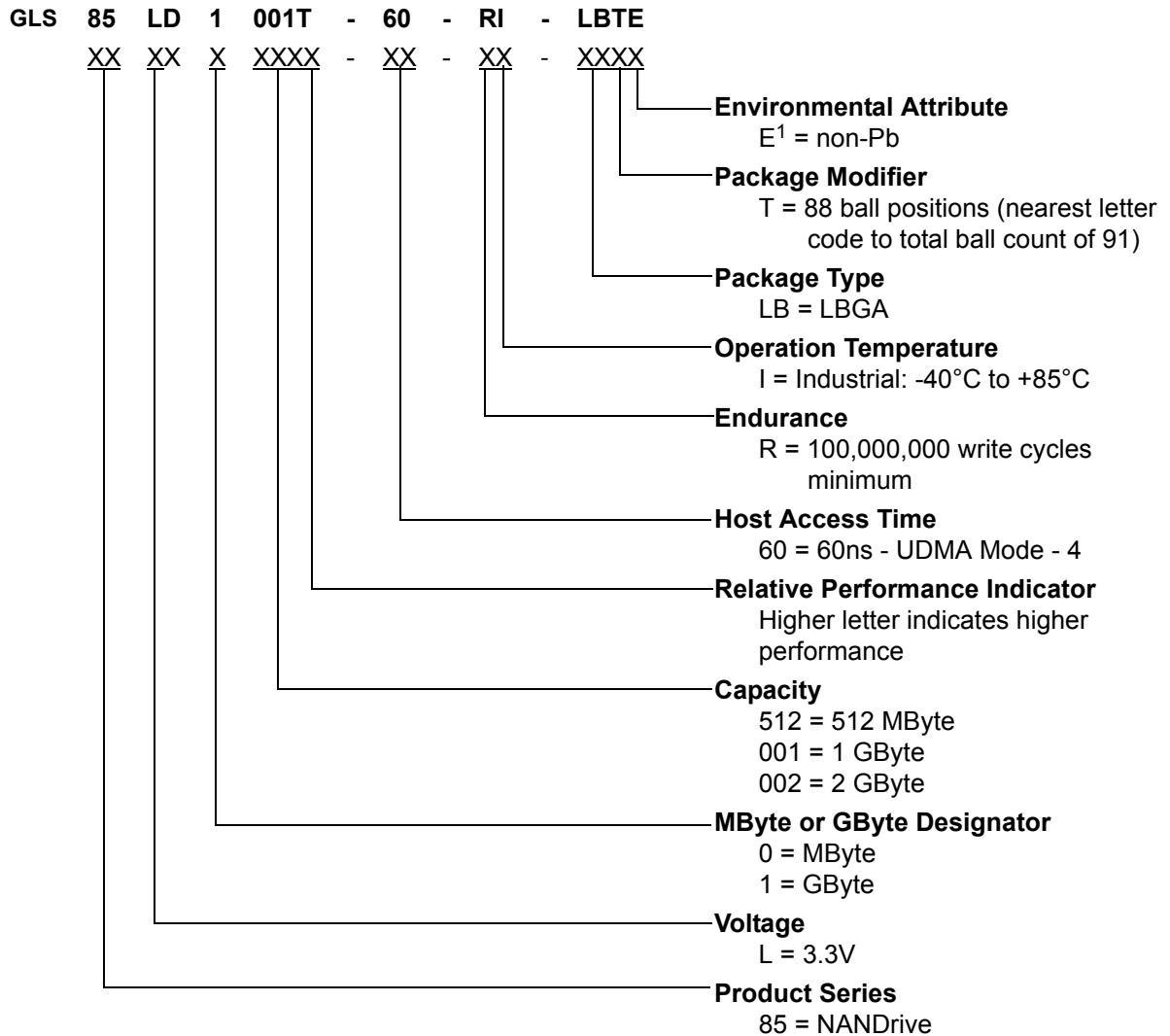
The Idle timer uses an incremental value of 5 ms, rather than the 5 sec minimum increment value specified in ATA specifications.

#### Recovery from Sleep Mode

For NANDrive devices, recovery from sleep mode is accomplished by simply issuing another command to the device. A hardware or software reset is not required.

Data Sheet

## Product Ordering Information



1. Environmental suffix "E" denotes non-Pb solder. Greenliant non-Pb solder devices are "RoHS Compliant".

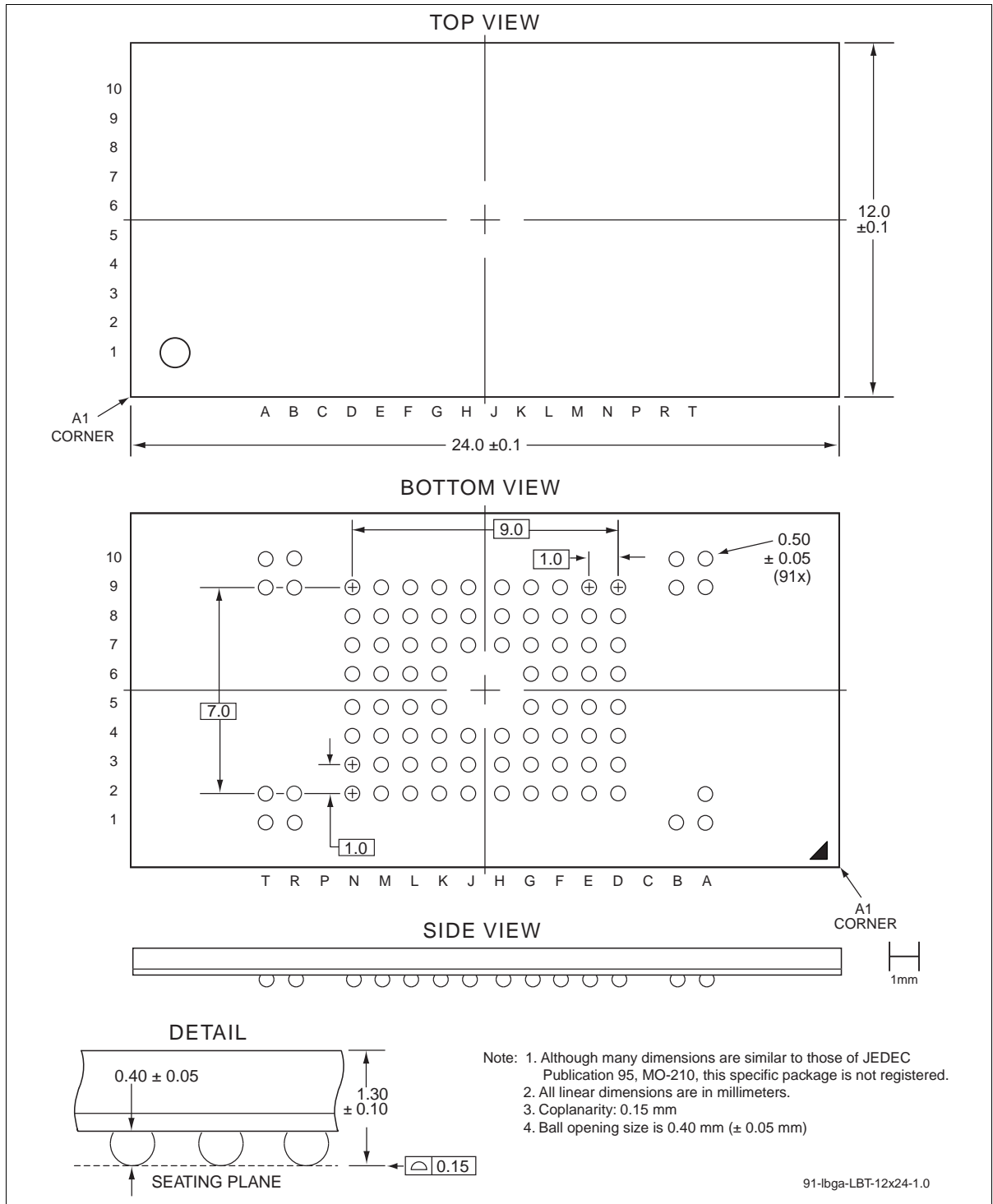
### Valid Combinations

GLS85LD0512-60-RI-LBTE    GLS85LD1001T-60-RI-LBTE    GLS85LD1002U-60-RI-LBTE

**Note:** Valid combinations are those products in mass production or will be in mass production. Consult your Greenliant sales

representative to confirm availability of valid combinations and to determine availability of new combinations.

## Packaging diagram



**Figure 1:** mini-NANDrive 91-Ball Low Profile Ball Grid Array (LBGA)  
 Greenliant Package Code: LBT

## Data Sheet

**Table 1: Revision History**

Number	Description	Date
00	<ul style="list-style-type: none"> <li>Initial release for SST85LD0512/SST85LD1001T/SSTLD1002U Data Sheet</li> </ul>	Apr 2008
01	<ul style="list-style-type: none"> <li>Added 5I (100M cycle endurance) information including updates in “Features”, “General Description”, “Capacity Specification”, “Lifetime Expectancy”, “Software Interface”, “Electrical Specifications”, and “Product Ordering Information”,</li> <li>Changes pin K2 from DMACK to DMACK# in Figure 2 and Table 1.</li> </ul>	Sep 2008
02	<ul style="list-style-type: none"> <li>Preliminary Specifications-to-Data Sheet phase change</li> </ul>	Nov 2008
03	<ul style="list-style-type: none"> <li>End-of-Life valid combinations SST85LD0512-60-5I-LBTE, SST85LD1001T-60-5I-LBTE, and SST85LD1002U-60-5I-LBTE. See S71382(02).</li> <li>Removed all references to 100M cycle endurance in Features, page 1 and Standard NANDrive on page 2 and page 12.</li> <li>Removed SST85LD0512-60-5I-LBTE, SST85LD1001T-60-5I-LBTE, and SST85LD1002U-60-5I-LBTE from Table 3 on page 7, Table 4 on page 7, and Table 20 on page 30.</li> </ul>	Dec 2008
04	<ul style="list-style-type: none"> <li>Applied the new document format</li> <li>Updated Figure 1.</li> </ul>	Oct 2009
05	<ul style="list-style-type: none"> <li>Transferred from SST to Greenliant</li> </ul>	May 2010

© 2010 Greenliant Systems, Ltd. All rights reserved.

Greenliant, the Greenliant logo and NANDrive are trademarks of Greenliant Systems, Ltd.

All trademarks and registered trademarks are the property of their respective owners.

These specifications are subject to change without notice. Refer to [www.greenliant.com](http://www.greenliant.com) for the most recent data sheet versions.

Memory sizes denote raw storage capacity; actual usable capacity may be less.

Greenliant makes no warranty for the use of its products other than those expressly contained in the Standard Terms and Conditions of Sale which are available on [www.greenliant.com](http://www.greenliant.com).