

Precision Adjustable Shunt Regulator

FEATURES

- Trimmed Bandgap: 0.5%, 1% and 2%
- Wide Operating Current: 1mA to 150mA
- Extended Temperature Range: 0°C to 105°C
- Low Temperature Coefficient: 30 ppm/°C
- Improved Replacement in Performance for TL431
- Low Cost Solution
- Available in Lead Free, RoHS compliant packaging: SOIC, SOT-89, SOT-23-3, SOT-23-5, and TO-92

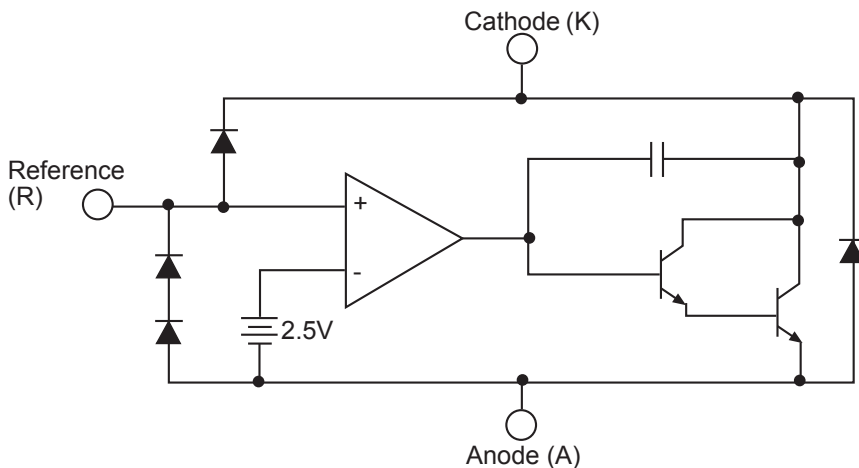
APPLICATIONS

- Battery Operated Equipment
- Adjustable Supplies
- Switching Power Supplies
- Error Amplifiers
- Single Supply Amplifier
- Monitors/VCRs/TVs
- Personal Computers

DESCRIPTION

The SPX431 is a three-terminal adjustable shunt voltage regulator providing a highly accurate bandgap reference. The SPX431 acts as an open-loop error amplifier with a 2.5V temperature compensation reference. The SPX431 has thermal stability, wide operating current of 150mA and broad temperature range of 0°C to 150°C, making it suitable for a variety of applications which require a low-cost, high performance solution. SPX431A tolerance of 0.5% is proven to be sufficient to overcome all other errors in the system to virtually eliminate the need for trimming in the power supply manufacturer's assembly line and contribute a significant cost savings. The output voltage may be adjusted to any value between V_{REF} and 36 volts with two external resistors. The SPX431 is available in SOIC-8, SOT-23-3, SOT-23-5, SOT89, and TO-92 packages.

TYPICAL APPLICATIONS CIRCUIT



ABSOLUTE MAXIMUM RATINGS

Cathode-Anode Reverse Breakdown V_{KA}37V
Anode-Cathode Forward Current, (<10ms) I_{AK}1A
Operating Cathode Current I_{KA}150mA
Reference Input Current I_{REF}10mA
Continuous Power Dissipation at 25°C P_D	
SOIC-8750mW
SOT-23-5200 mW
SOT-23-3417 mW
SOT-891000mW
TO-92775mW
Junction Temperature T_J150 °C
Storage Temperature T_{STG}-65 to 150 °C

NOTE: Stresses greater than those listed under ABSOLUTE MAXIMUM RATINGS may cause permanent damage to the device. This is a stress rating only and functional operation of the device at these or any other conditions above those indicated in the operational sections of this specification is not implied. Exposure to absolute maximum rating conditions for extended periods may affect reliability.

RECOMMENDED CONDITIONS

PARAMETER	SYMBOL	RATING	UNIT
Cathode Voltage	V_{KA}	V_{REF} to 36	V
Cathode Current	I_K	10	mA

TYPICAL THERMAL RESISTANCES

PACKAGE	θ_{JA}	θ_{JC}	TYPICAL DERATING
SOIC-8	124.8°C/W	45°C/W	5.7 mW/°C
TO-92	131.9°C/W	80°C/W	6.3 mW/°C
SOT-89	107.1°C/W	8°C/W	9.1 mW/°C
SOT-23-5	191°C/W	150°C/W	1.7 mW/°C
SOT-23-3	300°C/W	136°C/W	3.3 mW/°C

Typical deratings of the thermal resistances are given for ambient temperature >25°.

ELECTRICAL CHARACTERISTICS

Electrical characteristics at 25°C $I_K = 10mA$ $V_K = V_{REF}$, unless otherwise specified.

Parameter	Symbol	Test Conditions	Test Circuit	SPX431A			SPX431B			SPX431C			Unit
				Min	Typ	Max	Min	Typ	Max	Min	Typ	Max	
Reference Voltage	V_{REF}	$T_J = 0^\circ\text{C}$ to 105°C	1 1	2.490 2.469	2.503	2.515 2.536	2.470 2.449	2.495	2.520 2.541	2.445	2.495	2.545	V V
ΔV_{REF} with Temp.	TC		1		0.07	0.20		0.07	0.20		0.07	0.20	mV/ °C
Ratio of Change in V_{REF} to Cathode Voltage	$\frac{\Delta V_{REF}}{\Delta V_K}$	V_{REF} to 10V 10V to 36V	2	-2.7 -2	-1.0 -0.4	0.3	-2.7 -2.0	-1.0 -0.4	0.3	-2.7 -2	-1.0 -0.4	0.3	mV/ V
Reference Input Current	I_{REF}		2		0.7	4		0.7	4		0.7	4	µA
I_{REF} Temp Deviation	ΔI_{REF}	$T_J = 0^\circ\text{C}$ to 105°C	2		0.4	1.2		0.4	1.2		0.4	1.2	µA
Min I_K for Regulation	$I_{K(MIN)}$		1		0.4	1		0.4	1		0.4	1	mA
Off State Leakage	$I_{K(OFF)}$	$V_{REF} = 0V$, $V_{KA} = 36V$	3		0.04	250		0.04	500		0.04	1000	nA
Dynamic Output Impedance	Z_{KA}	$f_z = 1\text{kHz}$ $I_K = 1$ to 150mA	1		0.15	0.5		0.15	0.5		0.15	0.5	Ω

CALCULATING AVERAGE TEMPERATURE COEFFICIENT (TC)

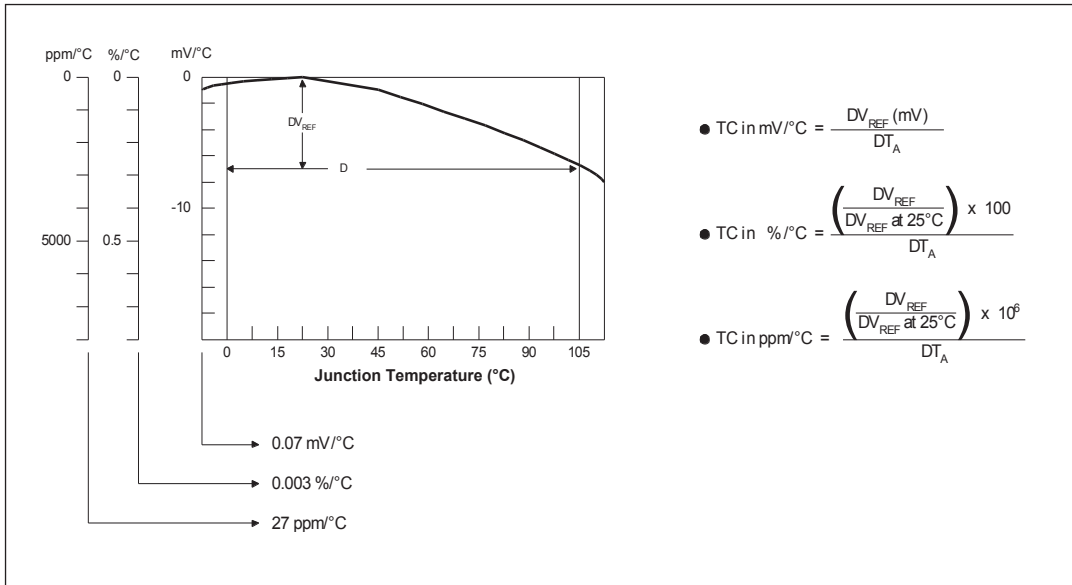
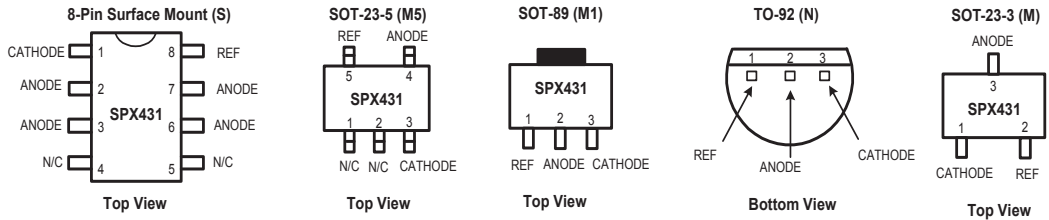
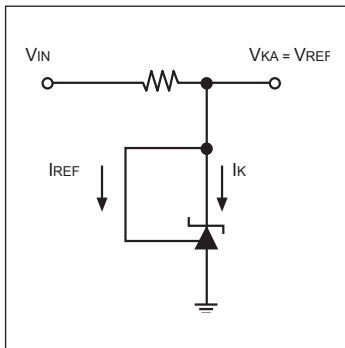


Figure 1. VREF VS Temperature.

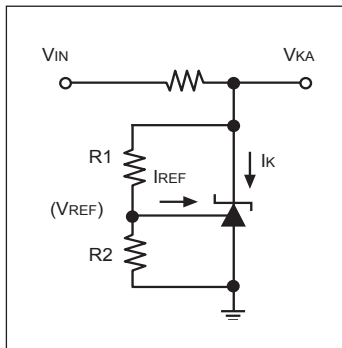
PACKAGE PINOUTS



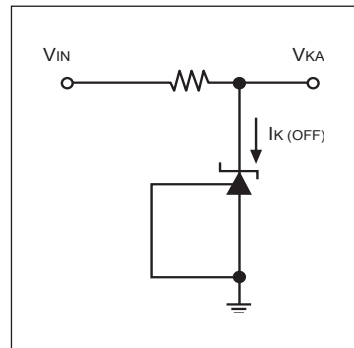
TEST CIRCUITS



Test Circuit 1.
Test Circuit for $V_{KA} = V_{REF}$

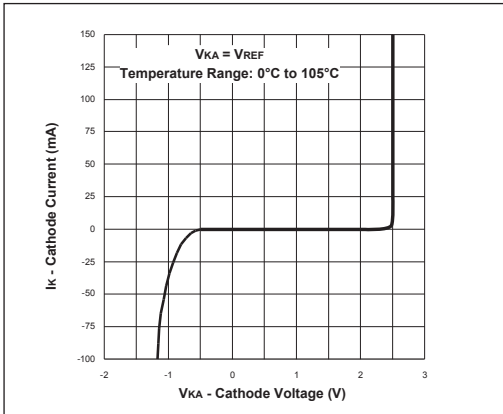


Test Circuit 2.
Test Circuit for $V_{KA} > V_{REF}$

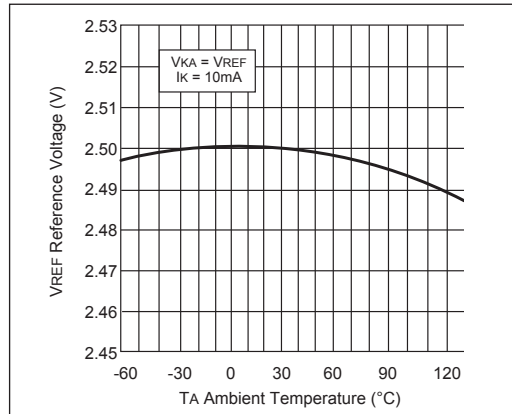


Test Circuit 3.
Test Circuit for I_{kOFF}

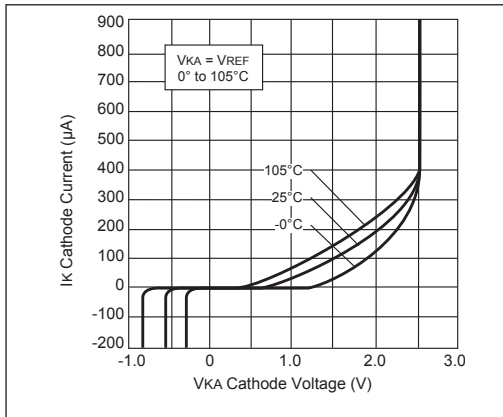
TYPICAL PERFORMANCE CHARACTERISTICS



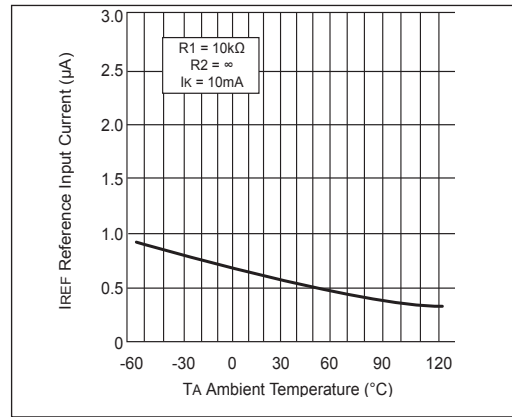
High Current Operating Characteristics



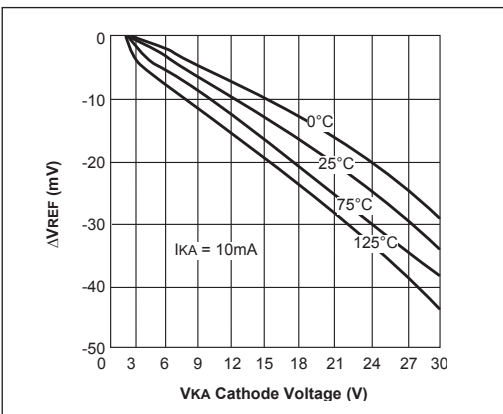
Reference Voltage vs. Ambient Temperature



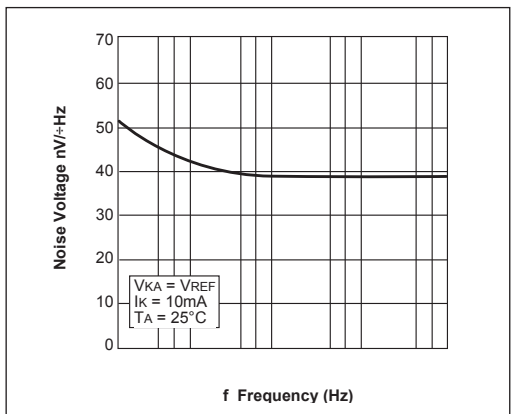
Low Current Operating Characteristics



Reference Input Current vs. Ambient Temperature

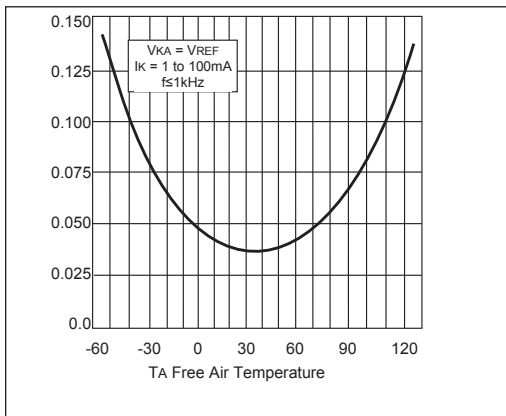


Reference Voltage Line Regulation vs. Cathode Voltage and $T_{AMBIENT}$

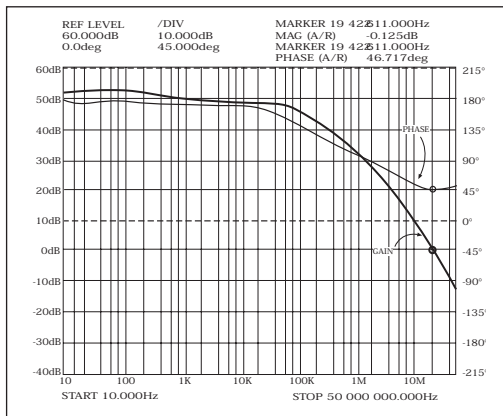


Noise Voltage vs. Frequency

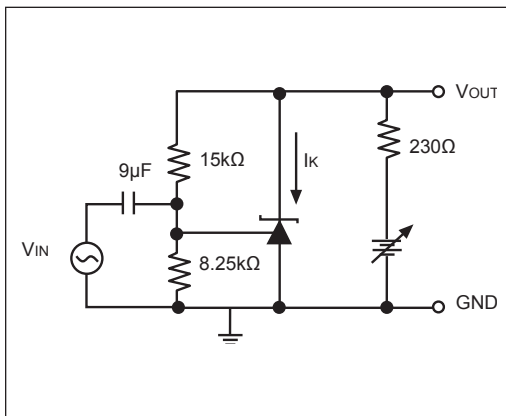
TYPICAL PERFORMANCE CHARACTERISTICS (continued)



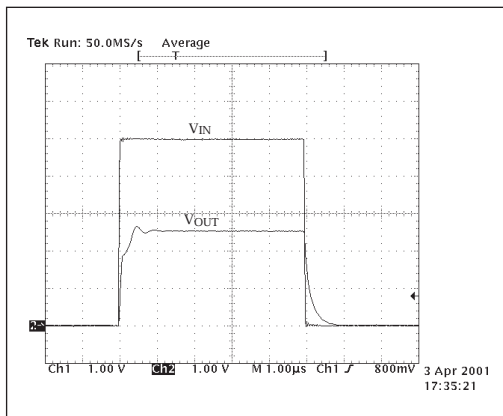
Low Frequency Dynamic Output Impedance vs. $T_{AMBIENT}$



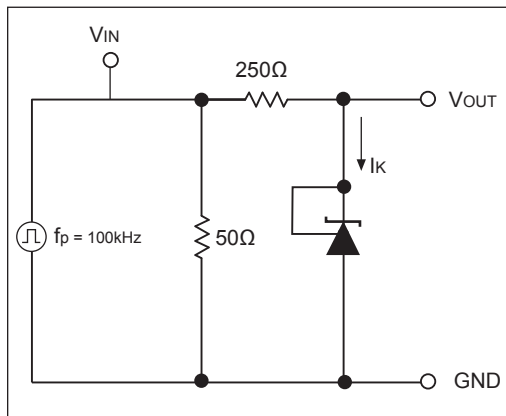
Small Signal Gain and Phase vs. Frequency; $I_k = 10\text{mA}$, $T_A = 25^\circ\text{C}$



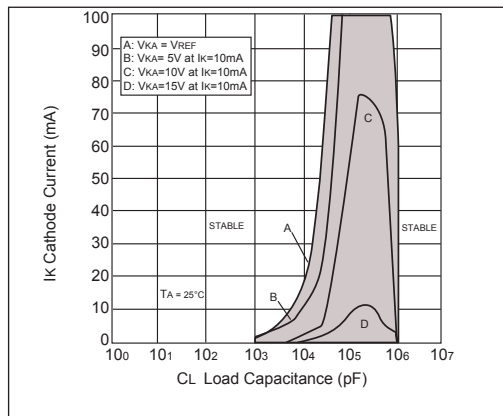
Test Circuit for Gain and Phase Frequency Response



$f_z = 100\text{kHz}$, $I_k = 10\text{mA}$, $T_A = 25^\circ\text{C}$

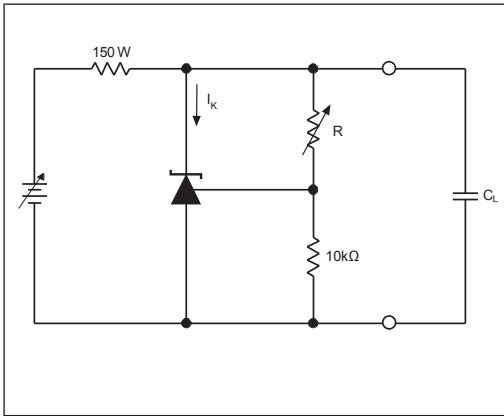


Test Circuit for Pulse Response

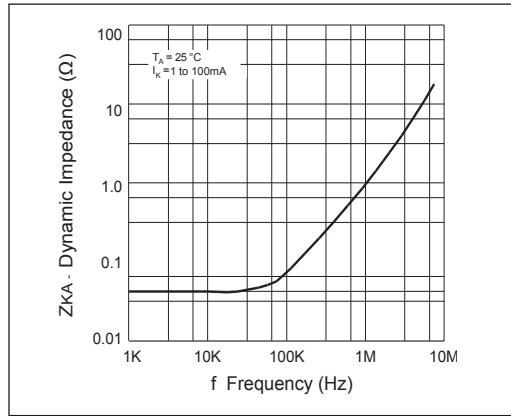


Stability Boundry Conditions

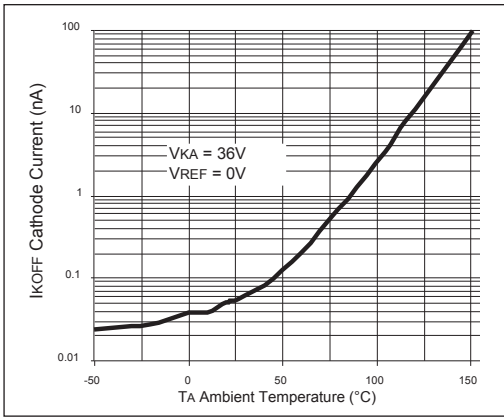
TYPICAL PERFORMANCE CHARACTERISTICS (continued)



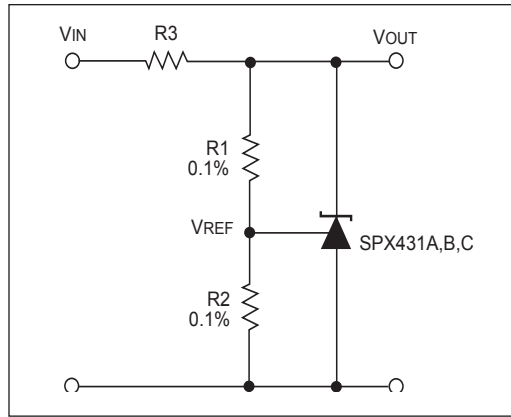
Test Circuit for Stability



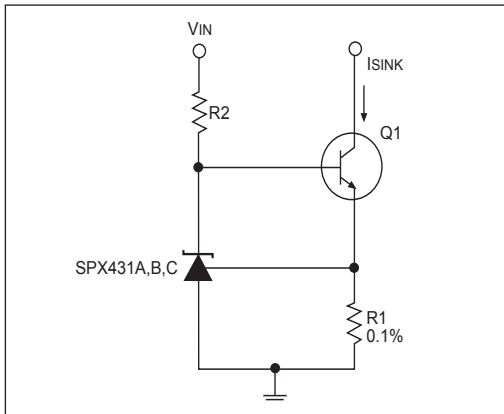
Dynamic Output Impedance T_A = 25 °C, I_K = 1 to 100mA



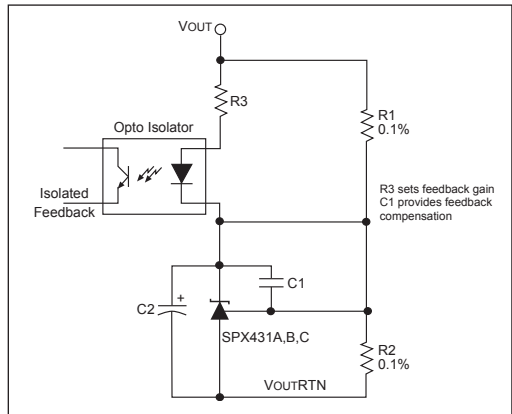
Off-State Leakage



Shunt Regulator V_{OUT} = (1+R1/R2)V_{REF}



Constant Current, Sink, I_{SINK} = V_{REF}/R1



Reference Amplifier for Isolated Feedback in Off-Line DC-DC Converters

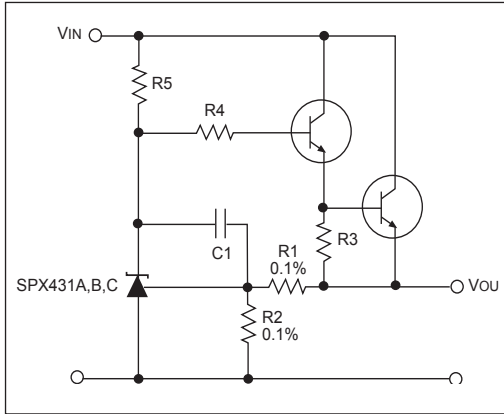


Figure 23. Precision High Current Series Regulator
 $V_{OUT} = (1+R1/R2)V_{REF}$

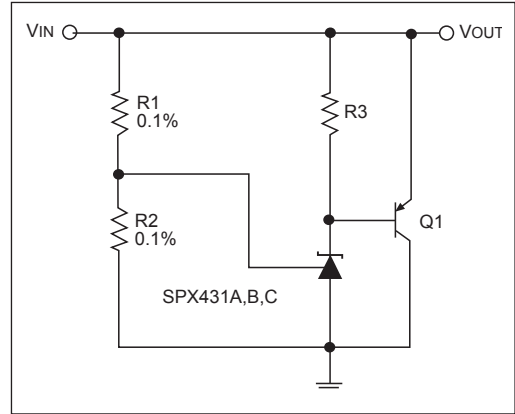


Figure 24. High Current Shunt Regulator
 $V_{OUT} = (1+R1/R2)V_{REF}$

* Resistor values are chosen such that the effect to I_{REF} is negligible.

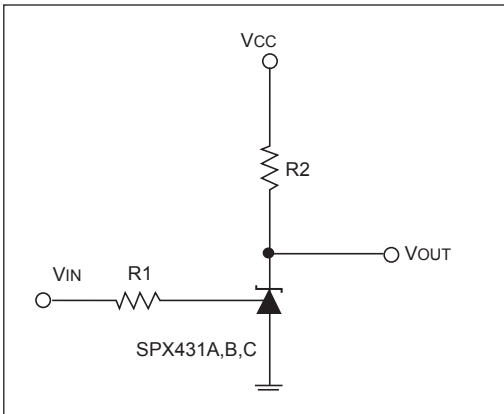
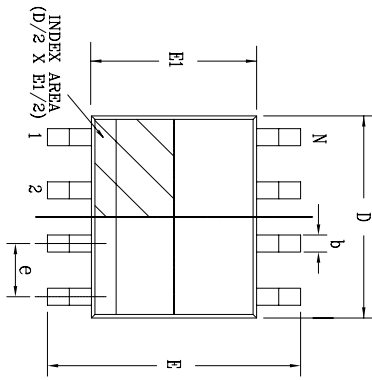
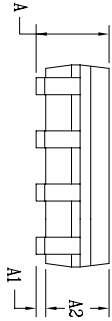


Figure 25. Single Supply Comparator with Temperature Compensated Threshold. V_{IN} Threshold = 2.5V

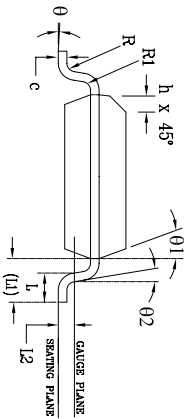
REVISION HISTORY			
REV.	DESCRIPTION	DATE	APP'D
A	DRAWING ORIGINATION	08/16/05	JL
B	DRAWING FORMAT MODIFICATION	07/19/06	JL



Top View




Side View



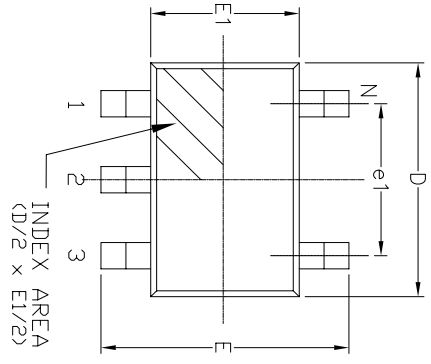
Front View

8 Pin SOICN		JEDEC MS-012		Variation AA		
SYMBOLS	DIMENSIONS IN MM (Control Unit)			DIMENSIONS IN INCH (Reference Unit)		
	MIN.	NOM.	MAX.	MIN.	NOM.	MAX.
A	1.35	—	1.75	0.053	—	0.069
A1	0.10	—	0.25	0.004	—	0.010
A2	1.25	—	1.65	0.049	—	0.065
b	0.31	—	0.51	0.012	—	0.020
c	0.17	—	0.25	0.007	—	0.010
E	6.00 BSC			0.236 BSC		
E1	3.90 BSC			0.154 BSC		
e	1.27 BSC			0.050 BSC		
h	0.25	—	0.50	0.010	—	0.020
L	0.40	—	1.27	0.016	—	0.050
L1	1.04 REF			0.041 REF		
L2	0.25 BSC			0.010 BSC		
R	0.07	—	—	0.003	—	—
R1	0.07	—	—	0.003	—	—
0	0°	—	8°	0°	—	8°
01	5°	—	15°	5°	—	15°
02	0°	—	—	0°	—	—
D	4.90 BSC			0.193 BSC		
N	8			8		

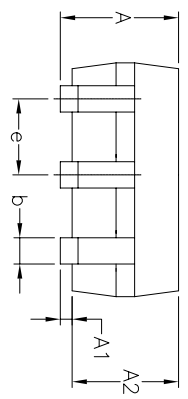
		SIPEX CORPORATION	
		8 PIN SOICN PACKAGE OUTLINE	
Package Approval:	By: JL	Date: 07/19/06	Revision: B
Drawing No:	8-PIN SOICN		Sheet: 1 OF 1

REVISION HISTORY			
REV.	DESCRIPTION	DATE	APP'D
A	DRAWING ORIGINATOR	10/27/05	JL
B	DRAWING FORMAT MODIFICATION	07/25/06	JL

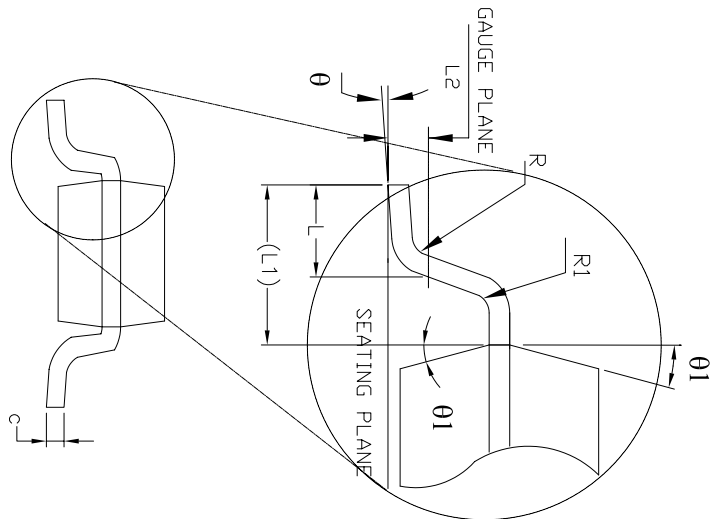
Top View



Side View



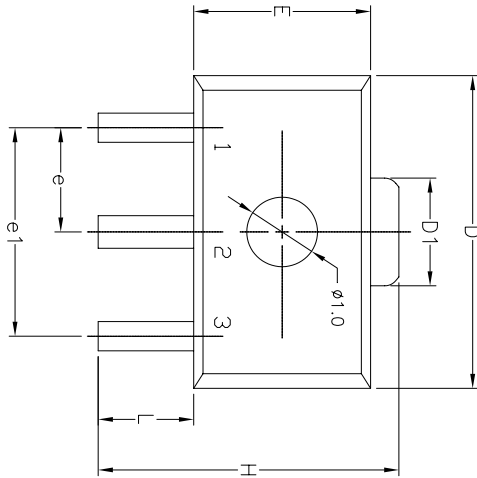
Front View



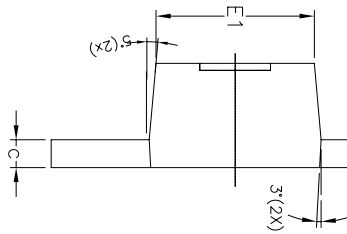
5 Pin SOT-23 JEDEC MO-178 Variation AA				
SYMBOLS	DIMENSIONS IN MM		DIMENSIONS IN INCH	
	MIN	NOM	MIN	MAX
A	—	1.45	—	0.057
A1	0.00	0.15	0.000	0.006
A2	0.90	1.15	1.30	0.045
b	0.30	0.50	0.012	0.020
c	0.08	—	0.22	0.003
D	2.90	BSC	0.115	BSC
E	2.80	BSC	0.111	BSC
E1	1.60	BSC	0.063	BSC
e	0.95	BSC	0.038	BSC
e1	1.90	BSC	0.075	BSC
L	0.30	0.45	0.60	0.012
L1	0.60	REF	0.024	REF
L2	0.25	BSC	0.010	BSC
R	0.10	—	0.004	—
R1	0.10	—	0.25	0.004
theta	0°	4°	8°	0°
theta1	5°	10°	15°	5°
N	5	5	5	5

	SIPEX CORPORATION	
	5 PIN SOT-23 PACKAGE OUTLINE	
Packaging Approval:	Drawing No:	5-PIN SOT-23
By: JL	Date: 07/25/06	Revision: B
		Sheet: 1 OF 1

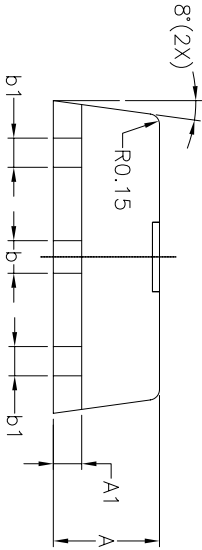
Top View



Front View




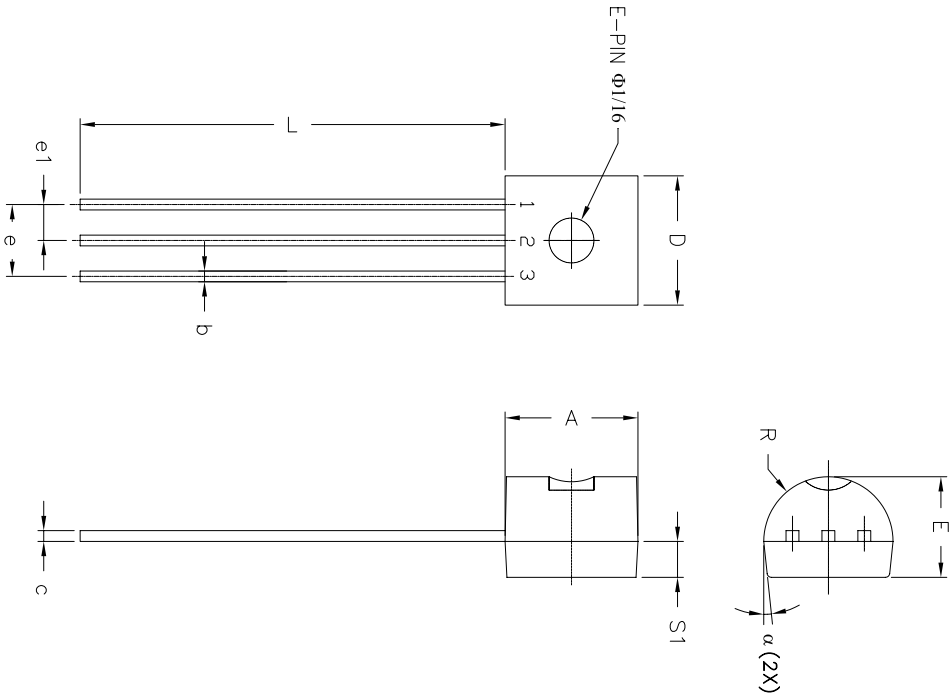
Side View



3 Pin SOT-89 JEDEC TO-243 Variation AA									
SYMBOLS	DIMENSIONS IN MM (Control Unit)			DIMENSIONS IN INCH (Reference Unit)					
	MIN	NOM	MAX	MIN	NOM	MAX			
A	1.40	1.50	1.60	0.055	0.059	0.063			
A1	0.30	0.40	0.50	0.011	0.015	0.019			
b	0.44	0.47	0.56	0.017	0.018	0.022			
b1	0.36	0.42	0.48	0.014	0.016	0.019			
c	0.35	0.40	0.44	0.014	0.015	0.017			
D	4.40	4.50	4.60	0.173	0.177	0.181			
D1	1.62	1.60	1.83	0.064	0.062	0.072			
E	2.29	2.50	2.60	0.090	0.098	0.102			
E1	2.13	—	2.29	0.084	—	0.090			
e	1.50	BSC	—	0.059	BSC	—			
e1	3.00	BSC	—	0.118	BSC	—			
H	3.94	—	4.25	0.155	—	0.167			
L	0.89	—	1.20	0.035	—	0.047			
N	—	3	—	—	3	—			


REVISION HISTORY			
REV.	DESCRIPTION	DATE	APP'D
A	DRAWING ORIGINATION	02/02/06	JL
B	DRAWING FORMAT MODIFICATION	09/11/06	JL

		SIPLEX CORPORATION		
				3 PIN SOT-89 PACKAGE OUTLINE
Packaging Approval:	By: JL	Date: 09/11/06	Drawing No.:	3-PIN SOT-89
Revision:	B	Sheet:	1 OF 1	

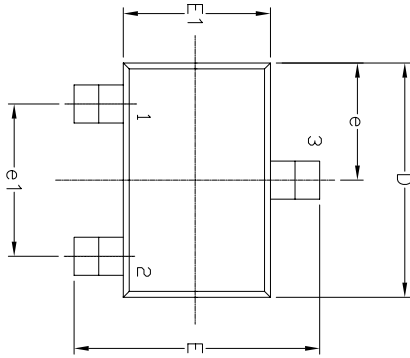


3 Pin TO-92 JEDEC TO-226-AA		DIMENSIONS IN INCH (Control Unit)		DIMENSIONS IN MM (Reference Unit)	
SYMBOLS	MIN	MAX	MIN	MAX	MAX
A	0.170	0.210	4.32	5.33	
b	0.014	0.020	0.36	0.51	
c	0.016	0.022	0.41	0.55	
D	0.175	0.205	4.45	5.20	
E	0.125	0.165	3.18	4.19	
e	0.095	0.105	2.42	2.66	
e1	0.045	0.055	1.15	1.39	
L	0.500	0.610	12.70	15.49	
R	0.045	0.095	2.16	2.41	
S1	0.045	0.060	1.14	1.52	
α	4°	6°	4°	6°	
N	3	3	3	3	

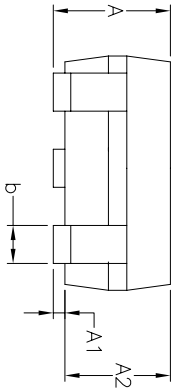
REVISION HISTORY			
REV.	DESCRIPTION	DATE	APP'D
A	DRAWING ORIENTATION	09/23/05	JL
B	DRAWING FORMAT MODIFICATION	08/15/06	JL

		SIPEX CORPORATION	
		3 PIN TO-92 PACKAGE OUTLINE	
Packaging Approval:	Date: 08/15/06	Drawing No: B	Revision: 1 OF 1
By: JL	Date: 08/15/06	Sheet: 1 OF 1	

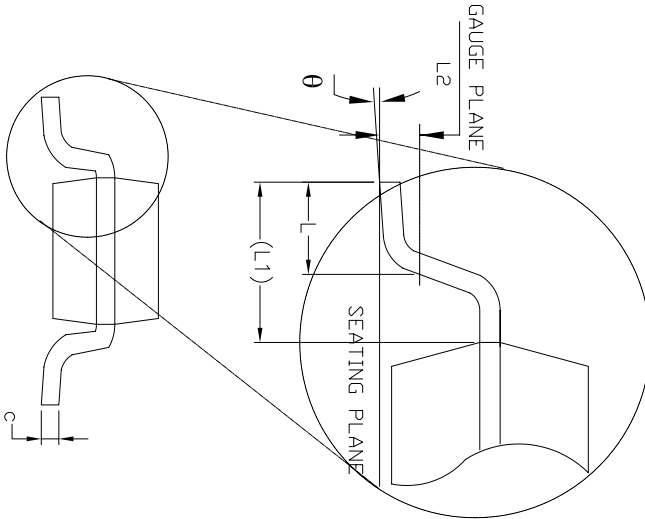
Top View



Side View




Front View



3 Pin SOT-23 JEDEC TO-236 Variation AB				
SYMBOLS	DIMENSIONS IN MM (Control Unit)		DIMENSIONS IN INCH (Reference Unit)	
	MIN	NOM	MIN	MAX
A	0.89	1.12	0.035	0.044
A1	0.01	0.10	0.000	0.004
A2	0.88	0.95	0.035	0.037
b	0.30	0.50	0.012	0.020
c	0.08	0.20	0.003	0.008
D	2.80	2.90	0.110	0.114
E	2.10	2.64	0.083	0.104
E1	1.20	1.30	0.047	0.051
e	0.95	BSC	0.038	BSC
e1	1.90	BSC	0.075	BSC
L	0.40	0.50	0.016	0.020
L1	0.54	REF	0.021	REF
L2	0.25	BSC	0.010	BSC
theta	0°	8°	0°	8°
N	3	3	3	3

REVISION HISTORY			
REV.	DESCRIPTION	DATE	APP'D
A	DRAWING ORIGINATOR	10/25/05	JL
B	DRAWING FORMAT MODIFICATION	07/25/06	JL

	SIPLEX CORPORATION		
	3 PIN SOT-23 PACKAGE OUTLINE		
Packaging Approval:	Drawing No:	3-PIN SOT-23	
By: JL	Date: 07/25/06	Revisions: B	Sheet: 1 OF 1

ORDERING INFORMATION

PART NUMBER	ACCURACY	OUTPUT VOLTAGE	PACKAGE
SPX431AM5	0.5%	2.503V	5-Pin SOT-23
SPX431AM5/TR	0.5%	2.503V	5-Pin SOT-23
SPX431AM1	0.5%	2.503V	3-Pin SOT-89
SPX431AM1/TR	0.5%	2.503V	3-Pin SOT-89
SPX431AS	0.5%	2.503V	8-Pin SOIC
SPX431AS/TR	0.5%	2.503V	8-Pin SOIC
SPX431AN	0.5%	2.503V	3-Pin TO-92
SPX431AM	0.5%	2.503V	3-Pin SOT-23
SPX431AM/TR	0.5%	2.503V	3-Pin SOT-23
SPX431BM5	1.0%	2.495V	5-Pin SOT-23
SPX431BM5/TR	1.0%	2.495V	5-Pin SOT-23
SPX431BM1	1.0%	2.495V	3-Pin SOT-89
SPX431BM1/TR	1.0%	2.495V	3-Pin SOT-89
SPX431BS	1.0%	2.495V	8-Pin SOIC
SPX431BS/TR	1.0%	2.495V	8-Pin SOIC
SPX431BN	1.0%	2.495V	3-Pin TO-92
SPX431BM	1.0%	2.495V	3-Pin SOT-23
SPX431BM/TR	1.0%	2.495V	3-Pin SOT-23
SPX431CM5	2.0%	2.495V	5-Pin SOT-23
SPX431CM5/TR	2.0%	2.495V	5-Pin SOT-23
SPX431CM1	2.0%	2.495V	3-Pin SOT-89
SPX431CM1/TR	2.0%	2.495V	3-Pin SOT-89
SPX431CS	2.0%	2.495V	8-Pin SOIC
SPX431CS/TR	2.0%	2.495V	8-Pin SOIC
SPX431CN	2.0%	2.495V	3-Pin TO-92
SPX431CM	2.0%	2.495V	3-Pin SOT-23
SPX431CM/TR	2.0%	2.495V	3-Pin SOT-23

Available in lead free packaging. To order add "-L" suffix to part number.

Example: SPX431AM5/TR = standard; SPX431AM5-L/TR = lead free

/TR = Tape and Reel

TR pack quantity is 3000 for SOT-23-3, 2500 for SOT-23-5, SOT-89 and NSOIC, and 2000 for TO-92 in ammo pack.



Sipex Corporation

**Headquarters and
Sales Office**
233 South Hillview Drive
Milpitas, CA 95035
TEL: (408) 934-7500
FAX: (408) 935-7600

Sipex Corporation reserves the right to make changes to any products described herein. Sipex does not assume any liability arising out of the application or use of any product or circuit described herein; neither does it convey any license under its patent rights nor the rights of others.