

4

3

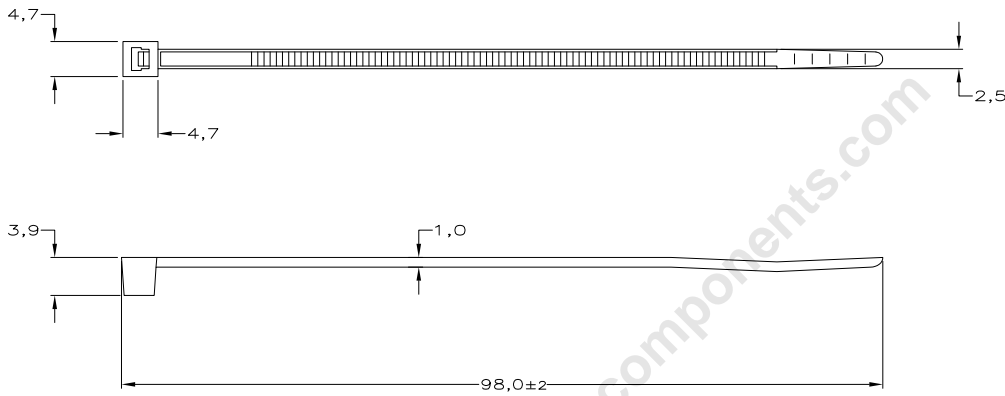
2

1

THIS DRAWING IS UNPUBLISHED. RELEASED FOR PUBLICATION
 © COPYRIGHT - By - [onlinecomponents.com](http://www.onlinecomponents.com)
 ALL RIGHTS RESERVED.

LOC		DIST		REVISIONS			
P	LTR	DESCRIPTION		DATE	DWN	APVD	
B1		Dimensional tolerances added.		12OCT11	SP	RP	

NOTE:
 1 RANGE: Ø21 MAX.
 2 MIN. TENSILE STRENGTH 82N.



1000	BLACK	POLYAMIDE 6.6	4-160967-2
1000	NATURAL	POLYAMIDE 6.6	4-160967-1
100	BLACK	POLYAMIDE 6.6	2-160967-2
100	NATURAL	POLYAMIDE 6.6	2-160967-1
QTY	FINISH	MATERIAL	PART NUMBER

THIS DRAWING IS A CONTROLLED DOCUMENT.		DWN	27-02-92		
		CHK	J.V.D.HEIJDEN		
		APVD	R.VOS.		
		NAME	L.V.SOEST.		
DIMENSIONS:		TOLERANCES UNLESS OTHERWISE SPECIFIED:		PRODUCT SPEC	
mm		0 PLC ± -		APPLICATION SPEC	
		1 PLC ± 0.2		SIZE	
		2 PLC ± -		CAGE CODE	
		3 PLC ± -		DRAWING NO	
		4 PLC ± -		RESTRICTED TO	
		ANGLES ± -		A3	
MATERIAL		FINISH		00779	
SEE TABLE		SEE TABLE		C=160967	
		WEIGHT		CUSTOMER DRAWING	
		SCALE		SHEET 1 of 1	
		REV		B1	