

**3 PHASE FULL AND HALF WAVE BRIDGES**

ABSOLUTE MAXIMUM RATINGS (@25°C UNLESS OTHERWISE SPECIFIED)

T-23-07

Device Type	Reverse Voltage	Average Forward Current						1 Cycle Surge Current I <sub>FSM</sub> t <sub>p</sub> =8.3ms	Reverse Recovery (3)	Forward Voltage		Reverse Current		Thermal Impedance	Case Outline							
		(1)			(2)					I <sub>FSM</sub>	T <sub>rr</sub>	V <sub>F</sub>	@I <sub>F</sub>			I <sub>R</sub>	I <sub>R</sub>	θ <sub>JC</sub>				
		I <sub>F</sub> (AV) @ T <sub>case</sub>			I <sub>F</sub> (AV) @ T <sub>amb</sub>														@25°C		@100°C	
		V <sub>RM</sub>	I <sub>F</sub> (AV) @ T <sub>case</sub>		I <sub>F</sub> (AV) @ T <sub>amb</sub>														@25°C		@100°C	
Volts	Amps	Amps	Amps	Amps	Amps	Amps	nS	Volts	Amps	μA	μA	°C/W										

**3 PH FULL WAVE BRIDGE**

SET111404 <sup>A</sup>	400	45	33	24				150	2000	1.5	9	3	60	0.5	G56
SET111412 <sup>A</sup>	600	45	33	24				150	2000	1.2		3	60		
SET111423	500	30	24	18				150	50	1.6		30	1500	0.5	G56
SC3BJ1	100		3.0	2.0	2.0	1.5	1.0	50	2000	1.10					
SC3BJ4	400		3.0	2.0	2.0	1.5	1.0	50	2000	1.10					
SC3BJ05F	50		3.5	2.5	1.5	1.0	0.7	25	150	1.20					
SC3BJ2F	200		3.5	2.5		1.0		25	150						
SC3BJ6F	600		3.5	2.5		1.0		25	250		1.0		75		
SC3BJ10FF	100		3.1	1.8		1.1		35	30		1.5		150		
SC3BH05	50	10.0	7.0	5.0	4.0	3.0	1.7	150	2000	1.00	3.0		60	4.5	G35
SC3BH2	200	10.0	7.0	5.0	4.0	3.0	1.7		2000						
SC3BH6 <sup>F</sup>	600	10.0	7.0	5.0	4.0	3.0	1.7		2000						
SC3BH1F	100	9.0	6.3	4.5	3.0	2.2	1.2		150						
SC3BH2F	200	9.0	6.3	4.5	3.0	2.2	1.2		150						
SC3BH4 <sup>F</sup>	400	9.0	6.3	4.5	3.0	2.2	1.2	150	150		3.0	3	60		
SC3BH10FF	100	12.0	9.0	7.5	4.0	3.0	1.7	175	30	0.97	5.0	30	1500		
SC3BA05	50	18.0	12.4	9.0	6.0	5.0	3.0	150	2000	1.00	3.0	3	60	2.5	G37
SC3BA2	200	18.0	12.4	9.0					2000	1.00			60		
SC3BA6 <sup>F</sup>	600	18.0	12.4	9.0					2000	1.00			60		
SC3BA1F	100	15.0	10.5	7.5					150	1.10			75		
SC3BA4 <sup>F</sup>	400	15.0	10.5	7.5				150	150	1.10	3.0	3	75		
SC3BA10FF	100	17.0	10.0	5.0				175	30	0.97	5.0	30	1500		
SC3B483-1 <sup>BC</sup>	200	25.0	18.5	9.25	8	6	4	150	2000	1.30	39	2	200	—	G119
SC3B483-3 <sup>BC</sup>	600	25.0	18.5	9.25	8	6	4	150	2000	1.30	39	2	200	—	G119

**NOTES:**

Operating and Storage Temperature Ranges are -55°C to +150°C unless otherwise indicated.

(A) Operating and Storage Temperature Range -55°C to +175°C.

(B) Operating and Storage Temperature Range -65°C to +150°C.

(C) Available as JTX to MIL-S-19500/483.

(F) These devices are available in Europe to F and FX levels.

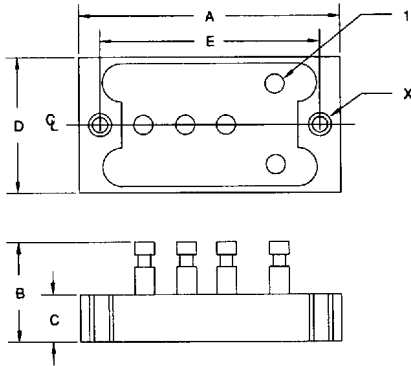
(1) Ratings at Case Temperature T<sub>c</sub>.(2) Ratings at Ambient Temperature T<sub>amb</sub>.

(3) Measured on discrete devices prior to assembly.

G35

DIM "	DIMENSIONS				NOTE
	MM		INCHES		
	MIN	MAX	MIN	MAX	
A	31.0	32.5	1.22	1.28	-
B	-	12.7	-	.50	-
C	5.6	7.1	.22	.28	-
D	18.3	19.8	.72	.78	-
E	26.7	27.2	1.05	1.07	-
X	4-40 UNC-2B THRU (2 PLCS)				-

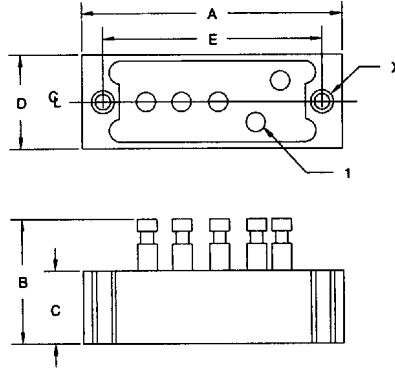
NOTES  
1 POSITIVE TERMINAL



G36

DIM "	DIMENSIONS				NOTE
	MM		INCHES		
	MIN	MAX	MIN	MAX	
A	31.0	32.5	1.22	1.28	-
B	-	15.2	-	.60	-
C	8.6	9.5	.34	.37	-
D	10.9	11.9	.43	.47	-
E	26.7	27.2	1.05	1.07	-
X	4-40 UNC-2B THRU (2 PLCS)				-

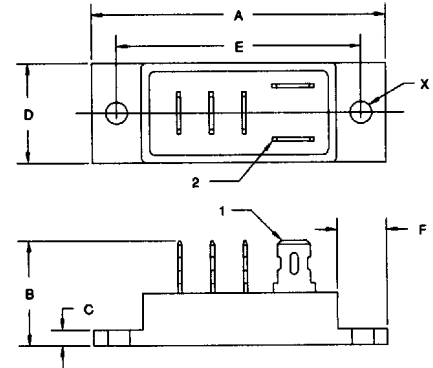
NOTES  
1 POSITIVE TERMINAL



G37

DIM "	DIMENSIONS				NOTE
	MM		INCHES		
	MIN	MAX	MIN	MAX	
A	56.4	57.9	2.22	2.28	-
B	-	20.3	-	.80	-
C	2.3	3.8	.09	.15	-
D	18.3	19.8	.72	.78	-
E	46.7	48.3	1.84	1.90	-
F	8.6	10.2	.34	.40	-
X	3.6	5.1	.14	.20	-

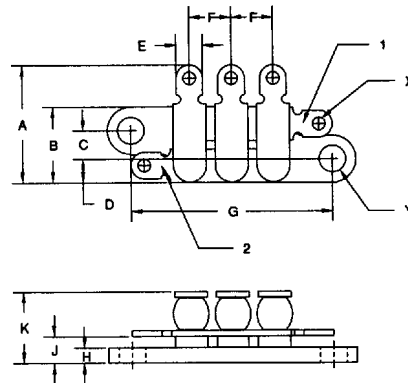
NOTES  
1 .25" FASTON TERMINALS  
2 POSITIVE TERMINAL



G56

DIM "	DIMENSIONS				NOTE
	MM		INCHES		
	MIN	MAX	MIN	MAX	
A	15.2	16.0	.60	.63	-
B	10.0	10.4	.39	.41	-
C	3.68	3.94	.145	.155	-
D	3.0	3.3	.12	.13	-
E	3.3	3.8	.13	.15	-
F	5.3	6.1	.21	.24	-
G	26.9	27.2	1.06	1.07	-
H	1.6	2.3	.07	.09	-
J	3.3	4.1	.13	.16	-
K	8.1	9.7	.32	.38	-
X	1.5	2.0	.06	.08	DIA
Y	3.60	3.71	.142	.146	DIA

NOTES  
1 POSITIVE TERMINAL - RED DOT  
2 NEGATIVE TERMINAL - BLACK DOT



G119

DIMENSIONS					
LTR	INCH		LTR	INCH	
	MIN	MAX		MIN	MAX
A	.730	.770	L1	.240	.320
B	.355	.395	L2	.015	.030
C	.355	.395	L3	.100	.125
D1	.141	.151	M	.040	.060
D2	.108	.118	N	.072	.078
E	.355	.395	D	.184	.190
F	.230	.270	P	2.22	2.28
G	.149	.189	R	.09	.15
H	.355	.395	S	.168	.208
J		.82	T	1.47	1.53
K	.39	.51			

NOTES  
1 TERMINALS SHALL BE TINNED.  
2 POLARITY SHALL BE MARKED AS SHOWN ON DRAWING  
3 POINT AT WHICH T<sub>C</sub> IS READ (SHALL BE IN METAL PART OF CASE)

