



Copyright FCI



FCIconnect.com



1 | 2

3 |

4

PRODUCT NUMBER  
20020705-XXXXXXLF

20020705-□ □ □ □ □ 0 □ L F

PITCH

J: 6.35 mm  
M: 7.62 mm  
S: 9.52 mm

POLES

02: 2 POLES  
03: 3 POLES

LF : DENOTED RoHS COMPATIBLE

1 : STANDARD PRODUCT  
W/ BOX PACKING

SCREW CODE

CODE	SCREW TYPE	AVAILABILITY
A	-/+	ON REQUEST ONLY
B	-	STANDARD

PROPERTY TABLE				
FCI SERIES NAME		12-635	12-762	12-952
PITCH (mm)		6.35	7.62	9.52
VOLTAGE RATING (VAC)		300	300	300
CURRENT RATING (A)		30	30	30
APPLICABLE WIRE RANGE (AWG)		1-24	10-24	10-24
1-WIRE		10~24	10~24	10~24
2-WIRE		16	16	16
WIRE CROSS SECTION (mm <sup>2</sup> )	SOLID	1-WIRE	6.0	6.0
		2-WIRE	1.5	1.5
	STRANDED	1-WIRE	4.0	4.0
		2-WIRE	1.5	1.5
OPENING CONTACT HOUSING(mm <sup>2</sup> )		3.4x3.5	3.4x3.5	3.4x3.5
WIRE STRIP LENGTH(mm)		6~7	6~7	6~7
TORQUE +/-10% (N-M/Lb-in)		0.8/6.9	0.8/6.9	0.8/6.9
SCREW		M3.5x0.5	M3.5x0.5	M3.5x0.5
WITHSTANDING VOLTAGE (kV)		1.6	1.6	1.6
OPERATING TEMP. (°C)		-40~+115	-40~+115	-40~+115
SOLDERING TEMP. (°C)		250±10 (5 sec.)	250±10 (5 sec.)	250±10 (5 sec.)
POLES AVAILABLE		02~03	02~03	02~03
SAFETY CERTIFICATE				

HOUSING CODE

CODE	COLOR	AVAILABILITY
1	GREEN(RAL 6018/T)	STANDARD
2	BLACK	ON REQUEST ONLY
3	GREY(RAL 7004/P)	ON REQUEST ONLY
4	BLUE(RAL 5015/A)	ON REQUEST ONLY

NOTES:

- MATERIALS  
1-1 HOUSING: THERMALPLASTIC RESIN, UL 94V-0 RATED,  
1-2 SCREW: STEEL, ZINC PLATED.  
1-3 CLAMP: COPPER ALLOY, NICKEL PLATED.  
1-4 TERMINAL: COPPER ALLOY, TIN PLATED.
- PRODUCT SPECIFICATION REFER TO FCI GS-12-625.
- PRODUCT PACKING SPECIFICATION REFER TO FCI GS-14-1394.
- FCI, SAFETY CERTIFICATE LOGO AND SERIES NAME TO BE SHOWN ON PRODUCT SURFACE.
- THE PRODUCTS WHERE THE PART NUMBER END IN "LF" MEET THE EUROPEAN UNION DIRECTIVE AND OTHER COUNTRY REGULATIONS AS DESCRIBED IN GS-22-008.
- RECOMMENDED SOLDERING PROCESS BY WAVE SOLDER.

mat'l. code		surface ASME Y14.5	tolerance ASME Y14.5	projection	product family
ltr	ecm no	dr	date	tolerances unless otherwise specified	title
D	T10-0029	JH	012710	angles	TERMINAL BLOCK FIXED POWER PLUG, HORIZONTAL WIRE INLET
E	T10-0042	WL	030310	MM	
F	T10-0143	WL	090610	INCH	
G	T10-0161	WL	101210	scale	
H	T11-0001	WL	011111	dr	BEER FU 062509
J	T-004746	WL	072211	chr	GARY HSIEH 062509
K	T-006066	WL	091911	appd	JOSEPH HSIA 062509
sheet	revision	K	K	K	K
index	sheet	1	2	3	4

form: A4mmXLc

1 |

2 |

PDS: Rev :K3 |

STATUS:Released

Printed: Sep 24 2011



Copyright FCI



FCIconnect.com

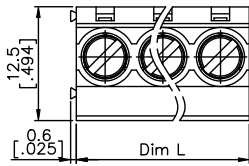


1 | 2

3 |

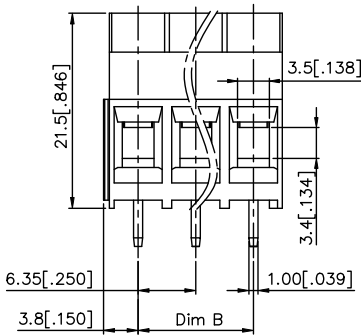
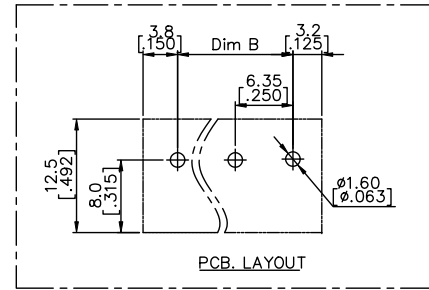
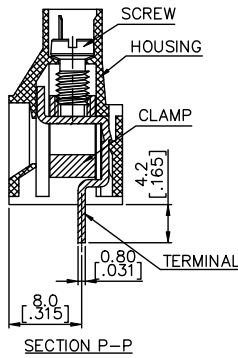
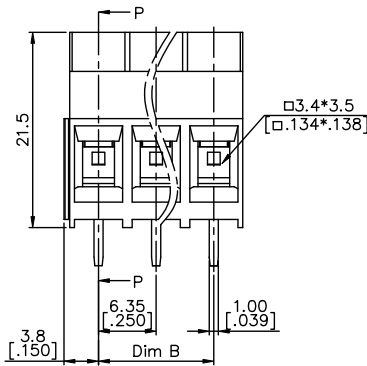
4

PRODUCT NUMBER	SERIES NAME	PITCH
20020705-JXXXXXXLF	12-635	6.35 mm



N = Number of poles  
 Dim L=Nx6.35[.250]  
 Dim B=(N-1)x6.35[.250]

Poles	Tolerance
2-3p	±0.15[.006]



mat'l. code	surface ASME Y14.5	tolerance ASME Y14.5	projection MM [INCH]	product family TERMINAL BLOCK
ltr K	ecn no	dr date	tolerances unless otherwise specified	title TERMINAL BLOCK FIXED POWER PLUG, HORIZONTAL WIRE INLET
			angles X±1°	scale
			dr WENDY CHEN 090610	dwg no 20020705
			enrg JASON HSU 090610	sheet 2 of 4 size A4
			chr GARY HSIEH 090610	FCI logo
			appd JOSEPH HSIA 090610	type CUSTOMER Drawing
sheet index	revision sheet			

form: A4mmXLc

1 |

2 |

PDS: Rev :K3 |

STATUS:Released

Printed: Sep 22 2011



Copyright FCI



FCIconnect.com

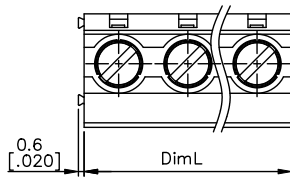


1 | 2

3

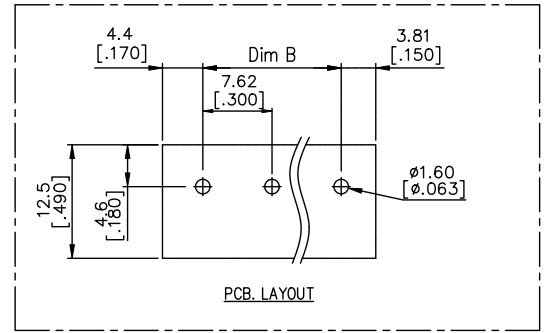
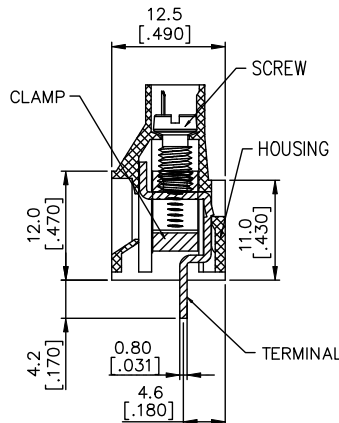
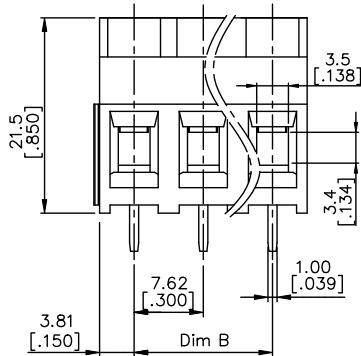
4

PRODUCT NUMBER	SERIES NAME	PITCH
20020705-MXXXXXLF	12-762	7.62 mm



N = Number of poles  
 Dim L = N x 7.62 [0.300]  
 Dim B = (N - 1) x 7.62 [0.300]

Poles	Tolerance
2-3p	±0.15 [0.006]



mat'l. code	surface ASME Y14.5	tolerance ASME Y14.5	projection	product family TERMINAL BLOCK		
ltr	ecn	no	dr	date	tolerances unless otherwise specified	title
K					<input checked="" type="checkbox"/> X.±0.5[.020] MM <input type="checkbox"/> X.X±0.3[.012] INCH <input type="checkbox"/> X.XX±0.1[.004] scale	<b>TERMINAL BLOCK</b> <b>FIXED POWER PLUG, HORIZONTAL WIRE INLET</b>
dr	BEER FU	062509	FCI		scale	dwg no
enr	BEER FU	062509				sheet 3 of 4 size
chr	GARY HSIEH	062509				20020705
appd	JOSEPH HSIA	062509				A4
sheet index	revision sheet					type
						CUSTOMER Drawing

form: A4mmXLc

1

2

PDS: Rev :K3

STATUS:Released

Printed: Sep 22 2011



FCIconnect.com

1 | 2

3 |

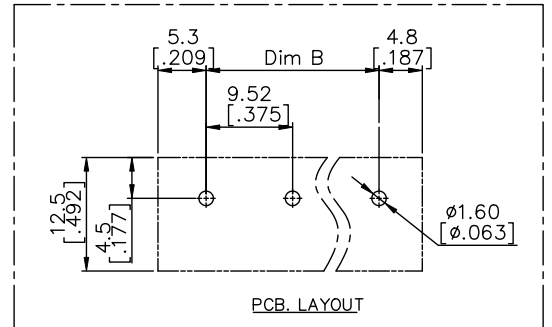
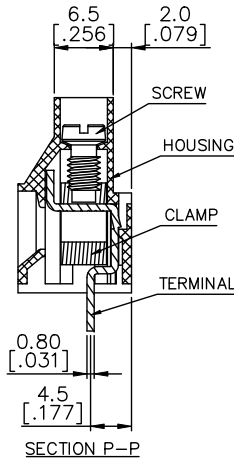
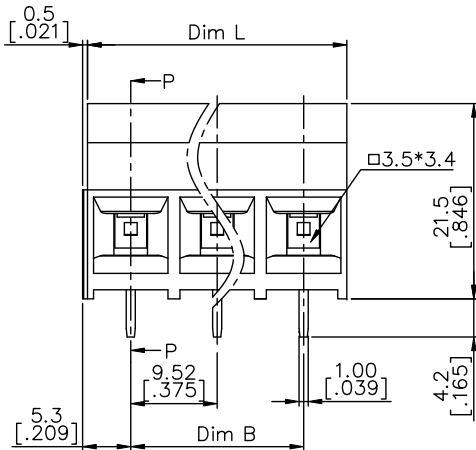
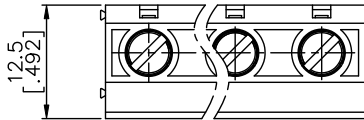
4

PRODUCT NUMBER	SERIES NAME	PITCH
20020705-SXXXXXXLF	12-952	9.52 mm

N=Number of poles

Dim L	$N * 9.52 [ .375 ]$
Dim B	$(N - 1) * 9.52 [ .375 ]$

Poles	Tolerance
2p-3p	$\pm 0.15 [ .006 ]$



mat'l. code	surface ASME Y14.5	tolerance ASME Y14.5	projection	product family
ltr	ecn	no	dr	date
tolerances unless otherwise specified				title
angles	MM	INCH	scale	TERMINAL BLOCK
X.±1	X.±0.5 [ .020 ]	X.X±0.3 [ .012 ]	X.XX±0.1 [ .004 ]	TERMINAL BLOCK
dr	BEER FU	062509		FIXED POWER PLUG, HORIZONTAL WIRE INLET
engr	BEER FU	062509		dwg no
chr	GARY HSIEH	062509		20020705
appd	JOSEPH HSIA	062509		sheet 4 of 4
sheet index	revision sheet			size A4
				type CUSTOMER Drawing

form: A4mmXLc

1 |

2 |

PDS: Rev :K3

STATUS:Released

Printed: Sep 22 2011