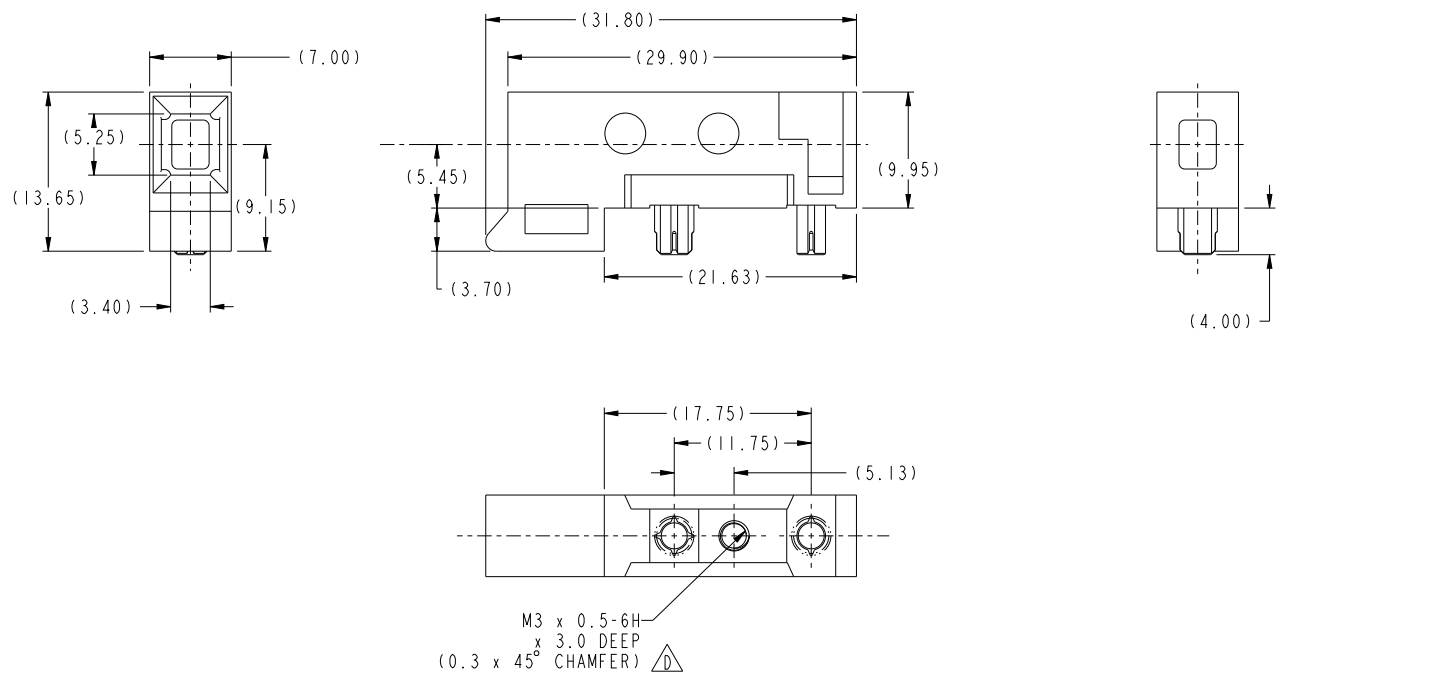


PRODUCT NUMBER  
SEE TABLE, SHT 2

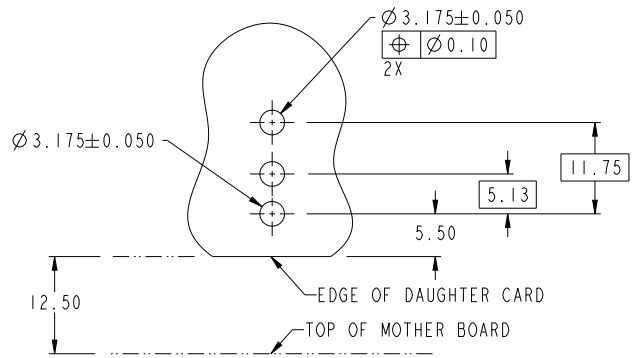


spec ref	-	dr	Chen-Hong Tan	200508/17	projection	MM	size	A3	scale	3:1			
tolerance std	-	eng	Yang-Kai Lin	201110/04			ecn no	ELK-S-000144-1					
ASME Y14.5	TOLERANCES UNLESS OTHERWISE SPECIFIED	chr	-	appr			Chen-Hong Tan	201110/07	product family	AirMax ACCESSORIES rel level Released			
surface	✓	linear	0.X	±0.3		<b>7.2MM R/A GUIDE SOCKET</b> 2/3 PAIR	DWG no 10045367	rev <b>D</b>	ASME Y14.5				
			0.XX	±0.10					www.fci.com	cat. no.	Product - Customer Drw	sheet 1 of 2	
		angular	0°	±2°									

PRODUCT NUMBER  
10045367-101LF

NOTES:

- ① MATERIAL: ZINC ALLOY.
- ② FINISH: TRIVALENT CHROMATE IRIDESCENT
- ③ APPLICATION SPECIFICATION: GS-20-045.
- ④ REFER TO CUSTOMER DRAWING 10035911 FOR INFORMATION REGARDING PCB LAYOUT OF POWER AND GUIDE MODULES RELATIVE TO SIGNAL MODULES.
- 5 THIS PRODUCT MEETS EUROPEAN UNION DIRECTIVES AND OTHER COUNTRY REGULATIONS AS DESCRIBED IN GS-22-008.
- 6 PACKAGING MEETS GS-14-920 LEAD FREE LABELING SPECIFICATION.
- 7 A  $\triangle$  SYMBOL WILL BE NEXT TO ANY DIMENSION, VIEW OR NOTE WHICH HAS BEEN MODIFIED WITH THE CURRENT DRAWING REVISION.



RECOMMENDED PCB LAYOUT  
NOTE 4  
SCALE: 2:1

spec ref	-	dr	Chen-Hong Tan	20050817	projection	MM	size	A3	scale	1:1	
tolerance std	-	eng	Yang-Kai Lin	20111004			ecn no	ELK-S-000144-1	rel level	Released	
ASME Y14.5	TOLERANCES UNLESS OTHERWISE SPECIFIED	chr	-	appr							Chen-Hong Tan
surface	✓	linear	0.X	±0.3		<b>7.2MM R/A GUIDE SOCKET</b> 2/3 PAIR	drawing no 10045367	rev D	Product - Customer Drw		
ASME Y14.5	angular	0°	±2°	www.fci.com					cat. no.	Product - Customer Drw	sheet 2 of 2

PDS: Rev :D

STATUS:Released

Printed: Oct 07, 2011

Copyright FCI