



CONNECTOR ASSY

<P/N composition> <P/N構成>  
10051922- 24 1 LF

- Lead free  
鉛フリー
- Contact point plating variation (1: Au plating)  
接点鍍膜のバリエーション(1: 金めっき)
- The number of contacts 極数
- Series name  
シリーズ名

PARTS TABLE 部品表

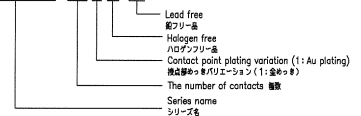
No.	Part name 部品名	Material 材質	Finish めっき	Note 備考
①	Housing ハウジング	Enter glass fiber LCP resin ガラス繊維入り LCP 樹脂	---	色: 黒色, ULS4V-0 Color: Black, ULS4V-0
②	Actuator アクチュエーター	Enter glass fiber STPA resin ガラス繊維入り STPA樹脂	---	色: 黒, ULS4V-0 Color: Black, ULS4V-0
③	Contact コンタクト	Copper alloy 銅合金	Au plating (Nickel underplating) 金めっき(ニッケル下地めっき)	ニッケル下地あり With Ni dam on the contact
④	Fitting nail (right side) 挿着金具(右側)	Copper alloy 銅合金	Tin alloy plating (Nickel underplating) スズ合金めっき(ニッケル下地めっき)	---
⑤	Fitting nail (left side) 挿着金具(左側)	Copper alloy 銅合金	Tin alloy plating (Nickel underplating) スズ合金めっき(ニッケル下地めっき)	---

Au	14.5	15.72	17.5	1	1	30	1	1	10051922-301LF
	13.5	14.72	16.5	1	1	28	1	1	10051922-281LF
12.5	13.72	15.5	1	1	26	1	1	10051922-261LF	
11.5	12.72	14.5	1	1	24	1	1	10051922-241LF	
10.5	11.72	13.5	1	1	22	1	1	10051922-221LF	
9.5	10.72	12.5	1	1	20	1	1	10051922-201LF	
9	10.22	12	1	1	19	1	1	10051922-191LF	
8.5	9.72	11.5	1	1	18	1	1	10051922-181LF	
7.5	8.72	10.5	1	1	16	1	1	10051922-161LF	
7	8.22	10	1	1	15	1	1	10051922-151LF	
6.5	7.72	9.5	1	1	14	1	1	10051922-141LF	
5.5	6.72	8.5	1	1	12	1	1	10051922-121LF	
5	6.22	8	1	1	11	1	1	10051922-111LF	
4.5	5.72	7.5	1	1	10	1	1	10051922-101LF	
3.5	4.72	6.5	1	1	8	1	1	10051922-081LF	

CONTACT PLATING	DIM "C"	DIM "B"	DIM "A"	⑤ FITTING NAIL(L) QTY	④ FITTING NAIL(R) QTY	③ CONTACT QTY	② ACTUATOR QTY	① HOUSING QTY	PRODUCT NO.
mat'l. code	---			surface	ISO 1302	tolerance	ISO 406	projection	product family
ltr	description	ecn no	dr	date	tolerances unless otherwise specified		ISO 1101	mm	59GF FLEX 0.5
A	RELEASED	J05-0356	N.S	6/20/05	angles	linear	0.XX ±0.3	→	ASSEMBLY
					±2°	0.XXX ±0.3	0.3XX ±0.3	scale 10:1	0.5mm PITCH CONNECTOR FOR FPC VLL Series
E	REVISED	J08-0283	N.S	2008-7-1	dr	N.SASAME	2010-6-23		sheet 2 of 5 size
F	REVISED	J08-0178	N.S	2008-5-7	engr	N.SASAME	2010-6-23		10051922
G	ADDEDP/N	J10-0142	N.S	2010-6-4	chr	N.SASAME	2010-6-23		A3
H	REVISED	J10-0171	N.S	2010-6-23	appd	N.SASAME	2010-6-23		type Product Customer Drawing
sheet index	revision sheet								Rev.

CONNECTOR ASSY  
 HALOGEN FREE

<P/N composition> <P/N 構成>  
 10051922-24 1 H LF



PARTS TABLE 部品表

No.	Part name	Material	Finish	Note
①	Housing ハウジング	Enter glass fiber LCP resin ガラス繊維入り LCP 樹脂	---	色: 無白色, UL94V-0 Color: Natural, UL94V-0
②	Actuator アクチュエーター	Enter glass fiber LCP resin ガラス繊維入り LCP 樹脂	---	色: 無白色, UL94V-0 Color: Natural, UL94V-0
③	Contact コンタクト	Copper alloy 銅合金	Au plating (Nickel underplating) 金めっき (ニッケル下地めっき)	ニッケル下地めっき With Ni dam on the contact
④	Fitting nail (Right side) 挿込金 (右側)	Copper alloy 銅合金	Tin alloy plating (Nickel underplating) スズ合金めっき (ニッケル下地めっき)	---
⑤	Fitting nail (Left side) 挿込金 (左側)	Copper alloy 銅合金	Tin alloy plating (Nickel underplating) スズ合金めっき (ニッケル下地めっき)	---

CONTACT PLATING	Au			⑤ FITTING NAIL(L) QTY	④ FITTING NAIL(R) QTY	③ CONTACT QTY	② ACTUATOR QTY	① HOUSING QTY	PRODUCT NO.
	DIM "c"	DIM "b"	DIM "a"						
	14.5	15.72	17.5	1	1	30	1	1	10051922-301HLF
	13.5	14.72	16.5	1	1	28	1	1	10051922-281HLF
	12.5	13.72	15.5	1	1	26	1	1	10051922-261HLF
	11.5	12.72	14.5	1	1	24	1	1	10051922-241HLF
	10.5	11.72	13.5	1	1	22	1	1	10051922-221HLF
	9.5	10.72	12.5	1	1	20	1	1	10051922-201HLF
	9	10.22	12	1	1	19	1	1	10051922-191HLF
	8.5	9.72	11.5	1	1	18	1	1	10051922-181HLF
	7.5	8.72	10.5	1	1	16	1	1	10051922-161HLF
	7	8.22	10	1	1	15	1	1	10051922-151HLF
	6.5	7.72	9.5	1	1	14	1	1	10051922-141HLF
	5.5	6.72	8.5	1	1	12	1	1	10051922-121HLF
	5	6.22	8	1	1	11	1	1	10051922-111HLF
	4.5	5.72	7.5	1	1	10	1	1	10051922-101HLF
	3.5	4.72	6.5	1	1	8	1	1	10051922-081HLF

mat'l. code	---	surface	ISO 1302	tolerance	ISO 406	projection	product family	CODE
ltr	description	ecn no	dr	date	ISO 1101	mm	59GF FLEX 0.5	JP
					tolerances unless otherwise specified	scale 10:1	title	
					linear	0.XX ±0.3	ASSEMBLY	
					±2°	0.XXX ±0.3	0.5mm PITCH CONNECTOR FOR FPC	
					dr	0.XXX ±0.3	VLL Series	
					enrg	N.SASAME 2010-6-23	dwg no sheet 3 of 5 size	
						N.SASAME 2010-6-23	10051922 A3	
						N.SASAME 2010-6-23	type Product Customer Drawing	
						N.SASAME 2010-6-23	Rev.	
						N.SASAME 2010-6-23	H	
						N.SASAME 2010-6-23	6	

PRODUCT NO.	DIM "A"	DIM "B"	DIM "C"	DIM "D"	DIM "E"	CONTACT PLATING	Emboss QTY.	TOOLING AVAILABLE
10051922-081OELF	16	7.5	21.5	8	--	Au	4500	YES
10051922-101OELF								YES
10051922-111OELF								YES
10051922-121OELF								YES
10051922-141OELF								YES
10051922-151OELF	24	11.5	29.5	8	--	Au	4500	YES
10051922-161OELF								YES
10051922-181OELF								YES
10051922-191OELF								YES
10051922-201OELF								YES
10051922-221OELF								YES
10051922-241OELF								YES
10051922-261OELF	32	14.2	37.5	8	28.4	Au	4500	YES
10051922-281OELF								YES
10051922-301OELF								YES

No.	Part name	Material	QTY.	Notes
①	The reel for packaging 巻取用リール	Polyethylene ポリエチレン	1	Color: White, Electrification prevention processing 色:白、帯電防止処理品
②	Emboss tape エンボステープ	PET	1	Electrification prevention processing 帯電防止処理品
③	Cover tape カバーテープ	Polyester ポリエステル	1	
④	Connector コネクタ	See sheet 1	4500	APPLIED FOR 8mm PITCH EMBOS TAPE

EMBOSS PACKAGE

NOTE

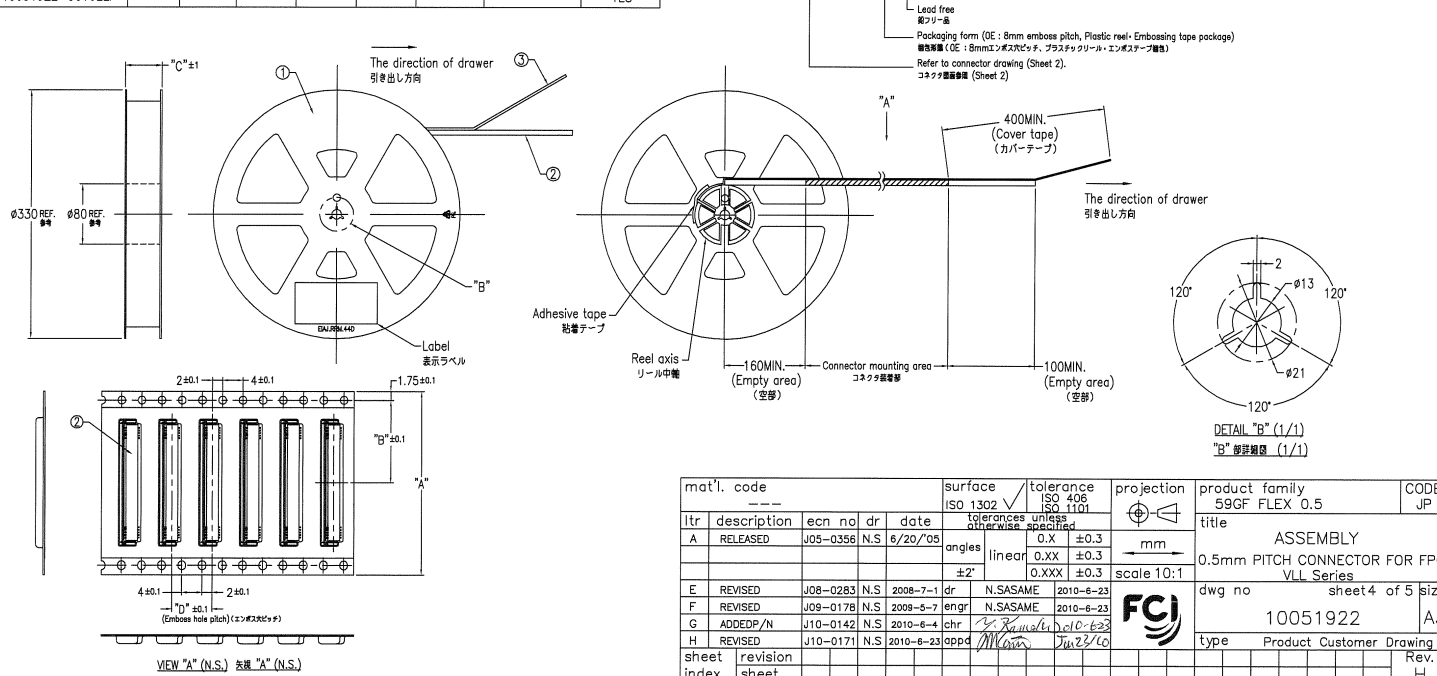
- This article carries out the emboss tape package of the 0.5mm pitch connector for FPC.
- The shape and dimension of this article are based on JIS C 0806.  
(Taping of electronic parts (Surface mounted device))

注記

- 本品は 0.5mm ピッチ FPC 用コネクタをエンボステープ梱包したものである。
- 本品の形状及び寸法規定は JIS C 0806 (電子部品のテーピング (表面実装部品)) に準拠する。

<P/N composition> <P/N 構成>

10051922-16 1 0E LF



mat'l. code	surface	tolerance	projection	product family	CODE
---	ISO 1302	ISO 406	ISO 1101	59GF FLEX 0.5	JP
ltr	description	ecn no	dr	date	tolerances unless otherwise specified
A	RELEASED	J05-0356	N.S	6/20/05	angles ±2°
					linear 0.XX ±0.3
					0.XXX ±0.3
E	REVISED	J08-0283	N.S	2008-7-1	dr N.SASAME 2010-6-23
F	REVISED	J09-0178	N.S	2009-5-7	enr N.SASAME 2010-6-23
G	ADDED/P/N	J10-0142	N.S	2010-6-4	chr N.SASAME 2010-6-23
H	REVISED	J10-0171	N.S	2010-6-23	appd M. Iwano Jun 23/10
sheet index	revision sheet				

PRODUCT NO.	DIM "A"	DIM "B"	DIM "C"	DIM "D"	DIM "E"	CONTACT PLATING	Emboss QTY.	TOOLING AVAILABLE
10051922-0810EHLF	16	7.5	21.5	8	--	Au	4500	YES
10051922-1010EHLF								YES
10051922-1110EHLF								YES
10051922-1210EHLF								YES
10051922-1410EHLF								YES
10051922-1510EHLF	24	11.5	29.5	8	--	Au	4500	YES
10051922-1610EHLF								YES
10051922-1810EHLF								YES
10051922-1910EHLF								YES
10051922-2010EHLF								YES
10051922-2210EHLF								YES
10051922-2410EHLF								YES
10051922-2610EHLF	32	14.2	37.5	8	28.4	Au	4500	YES
10051922-2810EHLF								YES
10051922-3010EHLF								YES

No.	Part name	Material	QTY.	Note
①	The reel for packaging 巻取り用リール	Polyethylene ポリエチレン	1	Color: White, Electrification prevention processing 色:白、帯電防止処理品
②	Emboss tape エンボステープ	PET	1	Electrification prevention processing 帯電防止処理品
③	Cover tape カバーテープ	Polyester ポリエステル	1	
④	Connector コネクタ	See sheet 1	4500	APPLIED FOR 6mm PITCH EMBOS TAPE

EMBOSS PACKAGE  
HALOGEN FREE

NOTE

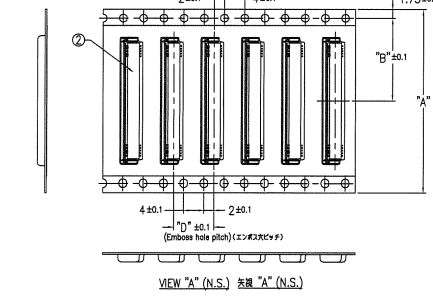
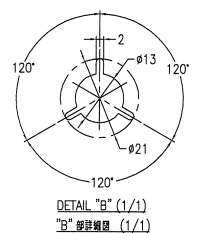
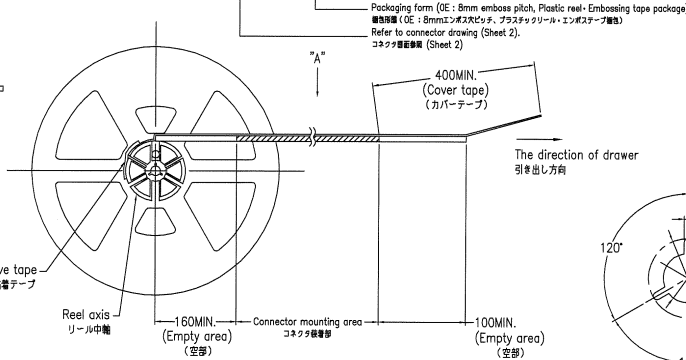
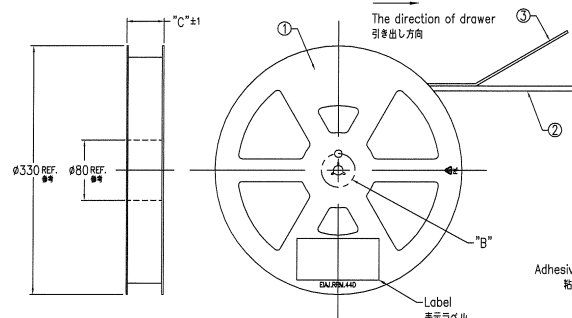
- This article carries out the emboss tape package of the 0.5mm pitch connector for FPC.
- The shape and dimension of this article are based on JIS C 0806.  
(Taping of electronic parts (Surface mounted device))

注 記

- 本品は 0.5mm ピッチ FPC 用コネクタをエンボステープ梱包したものである。
- 本品の形状及び寸法規定は JIS C 0806 (電子部品のテーピング (表面実装部品)) に準拠する。

<P/N composition> <P/N 構成>

10051922-16 1 0E H LF



mat'l. code	---	surface	ISO 1302	tolerance	ISO 406	projection	product family	CODE
ltr	description	ecn no	dr	date	ISO 1101	scale 10:1	59GF FLEX 0.5	JP
					tolerances unless otherwise specified			
					angles	mm		
					±2°		ASSEMBLY	
					linear	0.X ±0.3	0.5mm PITCH CONNECTOR FOR FPC	
					0.XXX ±0.3		VLL Series	
					dr	N.SASAME 2010-6-23	10051922	A3
					enrg	N.SASAME 2010-6-23	sheet 5 of 5 size	
G	ADDEDP/N	J10-0142	N.S	2010-6-4	chr	2010-6-23	type	Product Customer Drawing
H	REVISED	J10-0171	N.S	2010-6-23	appd		Rev.	H
sheet index	revision sheet							