



Configuration of Customer Documents List

P/N	Documents	No.	Title
HLEM_R/S-1	Specification	SC-HLEM 01	
	Dwg.	JSA93270	1.25mm Spacing Connector for FPC/FFC (HLEM_R/S-)
		JSA93271	1.25mm Spacing Connector for FPC/FFC (HLEM_S-1)
	Cable	JSA28789	Recommended cable and P.C. board (HLEM_R/S-)
	Manual	BJM-HLEM101	
HLEM_R/S-2	Specification	SC-HLEM 01	
	Dwg.	JSC29055	1.25mm Spacing Connector for FPC/FFC (HLEM_R-2)
		JSC29054	1.25mm Spacing Connector for FPC/FFC (HLEM_S-2)
	Cable	JSA28789	Recommended cable and P.C. board (HLEM_R/S-)
	Manual	BJM-HLEM101	
HLEM_R/S-1RLF	Specification	SC-HLEM 01	
	Dwg.	JSA94071	1.25mm Spacing Connector for FPC/FFC (HLEM_R-1RLF)
		JSA94072	1.25mm Spacing Connector for FPC/FFC (HLEM_S-1RLF)
	Cable	JSA28789	Recommended cable and P.C. board (HLEM_R/S-)
	Manual	BJM-HLEM101	
HLEM_R/S-1RFLF	Specification	SC-HLEM 01	
	Dwg.	JSA94073	1.25mm Spacing Connector for FPC/FFC (HLEM_R-1RFLF)
		JSA94074	1.25mm Spacing Connector for FPC/FFC (HLEM_S-1RFLF)
	Cable	JSA28789	Recommended cable and P.C. board (HLEM_R/S-)
	Manual	BJM-HLEM101	
HLEM_R/S-2RLF	Specification	SC-HLEM 01	
	Dwg.	JSA96132	1.25mm Spacing Connector for FPC/FFC (HLEM_R-2RLF)
		JSA96133	1.25mm Spacing Connector for FPC/FFC (HLEM_S-2RLF)
	Cable	JSA28789	Recommended cable and P.C. board (HLEM_R/S-)
	Manual	BJM-HLEM101	
HLEM_R/S-2RFLF	Specification	SC-HLEM 01	
	Dwg.	JSA96134	1.25mm Spacing Connector for FPC/FFC (HLEM_R-2RFLF)
		JSA96135	1.25mm Spacing Connector for FPC/FFC (HLEM_S-2RFLF)
	Cable	JSA28789	Recommended cable and P.C. board (HLEM_R/S-)
	Manual	BJM-HLEM101	

(See Note ② ③)

(See Note ② ③)

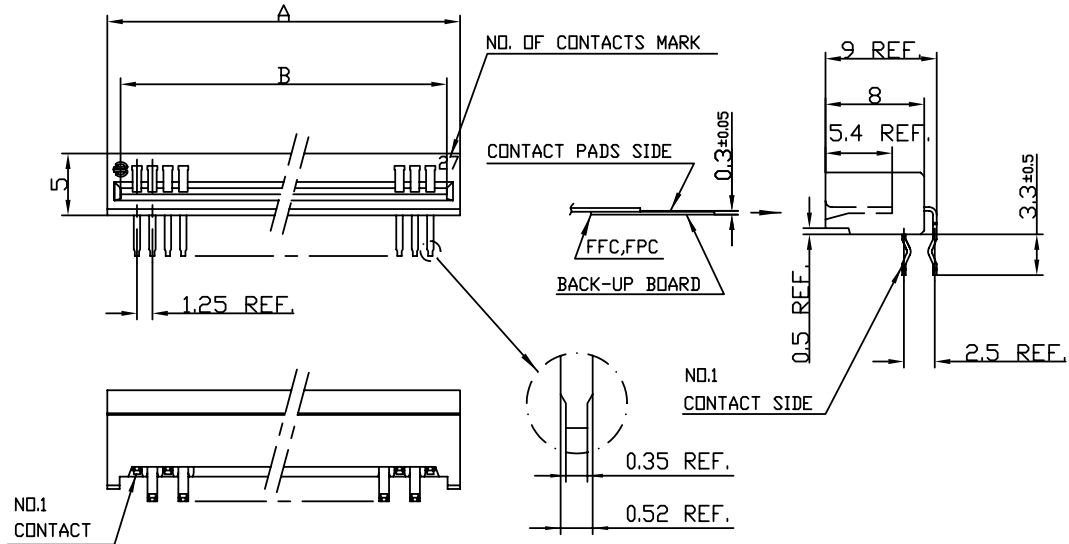
(See Note ② ③)

(See Note ② ③)

- NOTES
- THE HOUSING WILL WITHSTAND EXPOSURE TO 260 DEGREE PEAK TEMPERATURE FOR 10 SECONDS IN A WAVE SOLDER APPLICATION WITH A 1.57MM MINIMUM THICK CIRCUIT BOARD.
 - THIS PRODUCT MEETS EUROPEAN UNION DIRECTIVES AND OTHER COUNTRY REGULATIONS AS DESCRIBED IN GS-22-008.
 - PART NUMBERS ENDING IN "LF" MEANS FOR NOTE ② LEAD FREE IDENTIFICATION.
HLEMxxR/S-1/2R(F)LF IS EQUIVALENT TO PREVIOUS P/N HLEMxxR/S-1/2R(F).

mat'l. code		surface ASME Y14.5		tolerance ASME Y14.5		projection		product family 58KF	
ltr	ecr no	dr	date	tolerances unless otherwise specified		mm		title	
A	J04-0253	H.T	2004-08-03	angles	0.3	mm		1.25mm Spacing Connector	
B	J05-0014	H.T	2005-01-13	0±2'	00±10	scale -		(Customer documents list)	
C	S05-0145	D.T	2005-06-15	0±2'	000±050			dwg no sheet 1 of 1 size	
D	S05-0290	D.T	2005-10-14	dr	T.ono	2004-08-03	FCI		JSA96023 A4
E	S06-0252	P.C	2006-07-28	eng	H.Takakura	2004-08-03			type Product Customer Drawing
				chr	Patrick Chua	2006-07-28			
				app	Joey Ng	2006-07-28			
sheet index	revision sheet	E	1						

TOLERANCES
UNLESS OTHERWISE SPECIFIED : ±0.2



MATERIAL : INSULATOR : PBT RESIN GLASS REINFORCED (UL94V-0)
COLOR : BLACK
CONTACT : PHOSPHOR BRONZE (TIN PLATED ; THICKNESS: 1 micron)

NO. OF CONTACTS	(See Note 3) CAT. NO.	DIMENSIONS		21	HLEM21R-1RLF	29.80	27.66
		A ±0.3	B ±0.1				
3	HLEM 3R-1RLF	7.30	5.16	22	HLEM22R-1RLF	31.05	28.91
4	HLEM 4R-1RLF	8.55	6.41	23	HLEM23R-1RLF	32.30	30.16
5	HLEM 5R-1RLF	9.80	7.66	24	HLEM24R-1RLF	33.55	31.41
6	HLEM 6R-1RLF	11.05	8.91	25	HLEM25R-1RLF	34.80	32.66
7	HLEM 7R-1RLF	12.30	10.16	26	HLEM26R-1RLF	36.05	33.91
8	HLEM 8R-1RLF	13.55	11.41	27	HLEM27R-1RLF	37.30	35.16
9	HLEM 9R-1RLF	14.80	12.66	28	HLEM28R-1RLF	38.55	36.41
10	HLEM10R-1RLF	16.05	13.91	29	HLEM29R-1RLF	39.80	37.66
11	HLEM11R-1RLF	17.30	15.16	30	HLEM30R-1RLF	41.05	38.91
12	HLEM12R-1RLF	18.55	16.41	31	HLEM31R-1RLF	42.30	40.16
13	HLEM13R-1RLF	19.80	17.66	32	HLEM32R-1RLF	43.55	41.41
14	HLEM14R-1RLF	21.05	18.91	33	HLEM33R-1RLF	44.80	42.66
15	HLEM15R-1RLF	22.30	20.16	34	HLEM34R-1RLF	46.05	43.91
16	HLEM16R-1RLF	23.55	21.41	35	HLEM35R-1RLF	47.30	45.16
17	HLEM17R-1RLF	24.80	22.66	36	HLEM36R-1RLF	48.55	46.41
18	HLEM18R-1RLF	26.05	23.91	37	HLEM37R-1RLF	49.80	47.66
19	HLEM19R-1RLF	27.30	25.16	38	HLEM38R-1RLF	51.05	48.91
20	HLEM20R-1RLF	28.55	26.41	39	HLEM39R-1RLF	52.30	50.16
				40	HLEM40R-1RLF	53.55	51.41

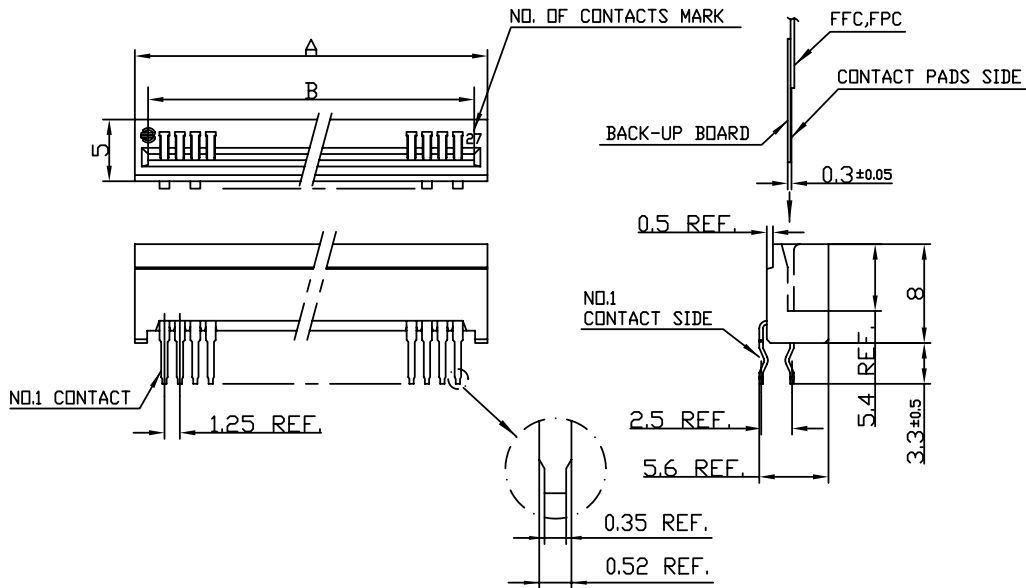
NOTES

1. THE HOUSING WILL WITHSTAND EXPOSURE TO 260 DEGREE PEAK TEMPERATURE FOR 10 SECONDS IN A WAVE SOLDER APPLICATION WITH A 1.57MM MINIMUM THICK CIRCUIT BOARD.
2. THIS PRODUCT MEETS EUROPEAN UNION DIRECTIVES AND OTHER COUNTRY REGULATIONS AS DESCRIBED IN GS-22-008.
3. PART NUMBERS ENDING IN 'LF' MEANS FOR NOTE 2 LEAD FREE IDENTIFICATION.
HLEMxxR/S-1RLF IS EQUIVALENT TO PREVIOUS P/N HLEMxxR/S-1R.

Cat. No. HLEM_R-1RLF (See Note 3)

mat'l. code				surface ISO 1302 ✓	tolerance ISO 406 ISO 101	projection 101	product family 58KF		
ltr	ecn no	dr	date	tolerances unless otherwise specified			title		
AA	J04-0253	H.T	2004-08-03	angles	.0±.3		1.25mm Spacing Connector for FPC/FFC		
AB	S05-0145	D.T	2005-06-24	linear			scale -		
AC	S06-0252	P.C	2006-07-28	0'±2'			dwg no		
				dr	M.Itsuka	1997-02-13	sheet 1 of 1		size
				enr	S.Ito	1997-02-13	JSA 94071		A4
				chr	Patrick Chua	2006-07-28	type Product Customer Drawing		
				app	Joey Ng	2006-07-28			
sheet index	revision	AC							
	sheet	1							

TOLERANCES
UNLESS OTHERWISE SPECIFIED : ±0.2



MATERIAL: INSULATOR : PBT RESIN GLASS REINFORCED (UL94V-0)
COLOR : BLACK
CONTACT : PHOSPHOR BRONZE (TIN PLATED ; THICKNESS: 1 micron)

NO. OF CONTACTS	(See Note 3) CAT. NO.	DIMENSIONS		21	HLEM21S-1RLF	29.80	27.66
		A ±0.3	B ±0.1				
3	HLEM 3S-1RLF	7.30	5.16	22	HLEM22S-1RLF	31.05	28.91
4	HLEM 4S-1RLF	8.55	6.41	23	HLEM23S-1RLF	32.30	30.16
5	HLEM 5S-1RLF	9.80	7.66	24	HLEM24S-1RLF	33.55	31.41
6	HLEM 6S-1RLF	11.05	8.91	25	HLEM25S-1RLF	34.80	32.66
7	HLEM 7S-1RLF	12.30	10.16	26	HLEM26S-1RLF	36.05	33.91
8	HLEM 8S-1RLF	13.55	11.41	27	HLEM27S-1RLF	37.30	35.16
9	HLEM 9S-1RLF	14.80	12.66	28	HLEM28S-1RLF	38.55	36.41
10	HLEM 10S-1RLF	16.05	13.91	29	HLEM29S-1RLF	39.80	37.66
11	HLEM 11S-1RLF	17.30	15.16	30	HLEM30S-1RLF	41.05	38.91
12	HLEM 12S-1RLF	18.55	16.41	31	HLEM31S-1RLF	42.30	40.16
13	HLEM 13S-1RLF	19.80	17.66	32	HLEM32S-1RLF	43.55	41.41
14	HLEM 14S-1RLF	21.05	18.91	33	HLEM33S-1RLF	44.80	42.66
15	HLEM 15S-1RLF	22.30	20.16	34	HLEM34S-1RLF	46.05	43.91
16	HLEM 16S-1RLF	23.55	21.41	35	HLEM35S-1RLF	47.30	45.16
17	HLEM 17S-1RLF	24.80	22.66	36	HLEM36S-1RLF	48.55	46.41
18	HLEM 18S-1RLF	26.05	23.91	37	HLEM37S-1RLF	49.80	47.66
19	HLEM 19S-1RLF	27.30	25.16	38	HLEM38S-1RLF	51.05	48.91
20	HLEM 20S-1RLF	28.55	26.41	39	HLEM39S-1RLF	52.30	50.16
				40	HLEM40S-1RLF	53.55	51.41

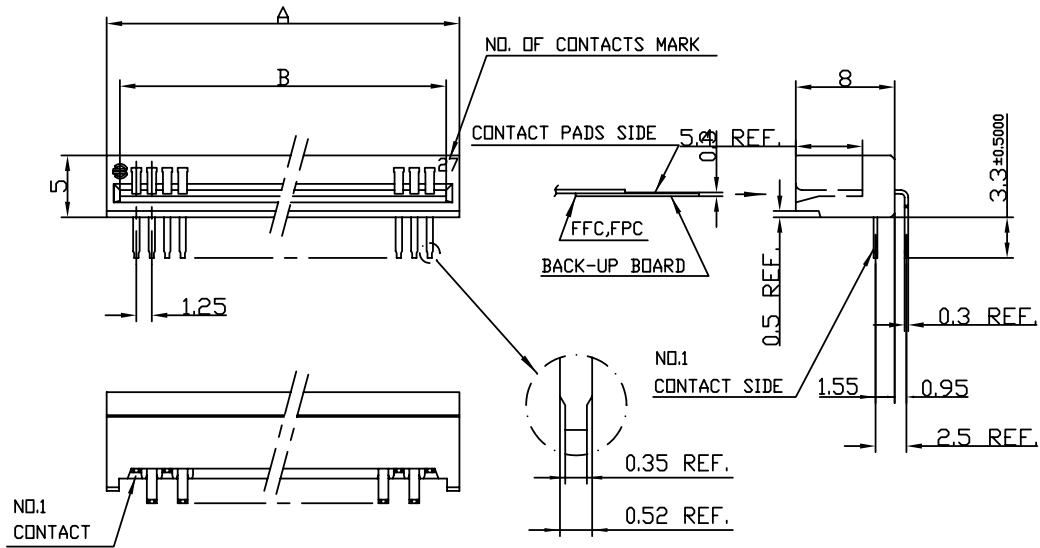
NOTES

- THE HOUSING WILL WITHSTAND EXPOSURE TO 260 DEGREE PEAK TEMPERATURE FOR 10 SECONDS IN A WAVE SOLDER APPLICATION WITH A 1.57MM MINIMUM THICK CIRCUIT BOARD.
- THIS PRODUCT MEETS EUROPEAN UNION DIRECTIVES AND OTHER COUNTRY REGULATIONS AS DESCRIBED IN GS-22-008.
- PART NUMBERS ENDING IN 'LF' MEANS FOR NOTE 2 LEAD FREE IDENTIFICATION.
HLEMxxR/S-1RLF IS EQUIVALENT TO PREVIOUS P/N HLEMxxR/S-1R.

HLEM_S-1RLF (See Note 3)

mat'l. code				surface ISO 1302 ✓	tolerance ISO 406 ISO 101	projection	product family		
ltr ecn no dr date				tolerances unless otherwise specified		mm	58KF		
AA J04-0253 H.T 2004-08-03				.0±.3			title		
AB S05-0145 D.T 2005-06-24				angles linear	mm		1.25mm Spacing Connector for FPC/FFC		
AC S06-0252 P.C 2006-07-28				0'±2'	scale -		dwg no sheet 1 of 1 size		
				dr M.Itsuka 1997-02-13	FCJ		JSA 94072 A4		
				enrg S.Ito 1997-02-13			type Product Customer Drawing		
				chr Patrick Chua 2006-07-28					
				appd Joey Ng 2006-07-28					
sheet index	revision	AC	1						

TOLERANCES
UNLESS OTHERWISE SPECIFIED : ±0,2



MATERIAL: INSULATOR : PBT RESIN GLASS REINFORCED (UL94V-0)

COLOR : BLACK

CONTACT : PHOSPHOR BRONZE (TIN PLATED); THICKNESS: 1 micron)

NO. OF CONTACTS	CAT. NO.	DIMENSIONS		21	22	23	24	25	26	27	28	29	30	31	32	33	34	35	36	37	38	39	40
		A ±0.3	B ±0.1																				
3	HLEM 3R-2R	7.30	5.16	29.80	27.66																		
4	HLEM 4R-2R	8.55	6.41	31.05	28.91																		
5	HLEM 5R-2R	9.80	7.66	32.30	30.16																		
6	HLEM 6R-2R	11.05	8.91	33.55	31.41																		
7	HLEM 7R-2R	12.30	10.16	34.80	32.66																		
8	HLEM 8R-2R	13.55	11.41	36.05	33.91																		
9	HLEM 9R-2R	14.80	12.66	37.30	35.16																		
10	HLEM 10R-2R	16.05	13.91	38.55	36.41																		
11	HLEM 11R-2R	17.30	15.16	39.80	37.66																		
12	HLEM 12R-2R	18.55	16.41	41.05	38.91																		
13	HLEM 13R-2R	19.80	17.66	42.30	40.16																		
14	HLEM 14R-2R	21.05	18.91	43.55	41.41																		
15	HLEM 15R-2R	22.30	20.16	44.80	42.66																		
16	HLEM 16R-2R	23.55	21.41	46.05	43.91																		
17	HLEM 17R-2R	24.80	22.66	47.30	45.16																		
18	HLEM 18R-2R	26.05	23.91	48.55	46.41																		
19	HLEM 19R-2R	27.30	25.16	49.80	47.66																		
20	HLEM 20R-2R	28.55	26.41	51.05	48.91																		
				52.30	50.16																		
				53.55	51.41																		

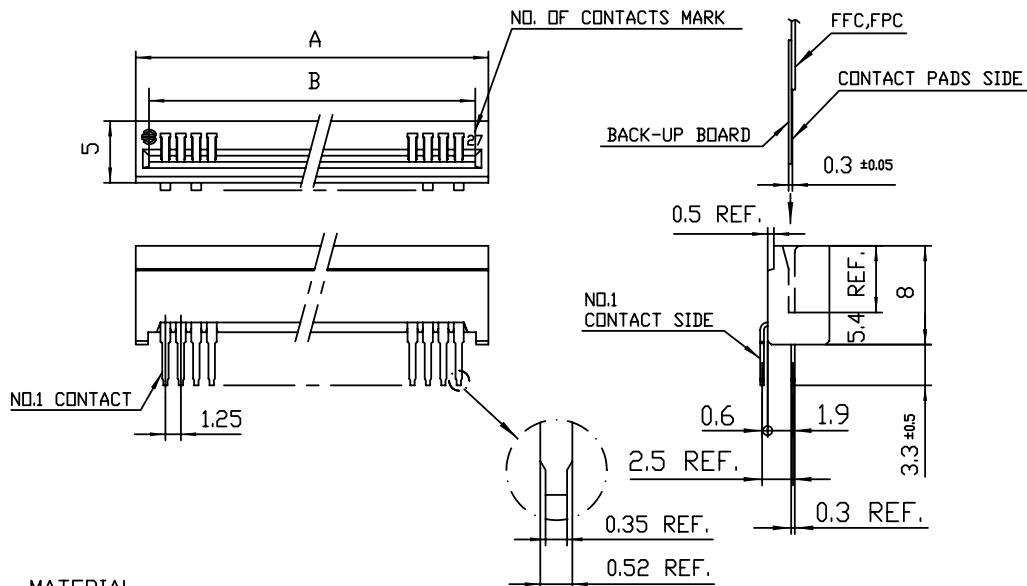
NOTES

1. THE HOUSING WILL WITHSTAND EXPOSURE TO 260 DEGREE PEAK TEMPERATURE FOR 10 SECONDS IN A WAVE SOLDERAPPLICATION WITH A 1.75MM MINIMUM THICK CIRCUIT BOARD.
2. THIS PRODUCT MEETS EUROPEAN UNION DIRECTIVES AND OTHER COUNTRY REGULATIONS AS DESCRIBED IN GS-22-008.
3. PART NUMBERS ENDING IN "LF" MEANS FOR NOTES 2 LEAD FREE IDENTIFICATION. HLEMxxR-2RLF IS EQUIVALENT TO PREVIOUS P/N HLEMxxR-2R.

(Cat. No. HLEM_R-2R) (See Note 3)

mat'l. code				surface ISO 1302 ✓	tolerance ISO 406 ISO 101	projection	product family				
							58KF				
ltr	ecn no	dr	date	tolerances unless otherwise specified			title				
A	J04-0439	H.T	2004-12-06				1.25mm Spacing Connector for FPC/FFC				
B	S05-0176	D.T	2005-06-24	angles	linear	mm					
C	S06-0252	P.C	2006-07-28				scale				
				dr	H.Takakura	2004-12-06	FCI	dwg no		sheet 1 of 1	size
				engr	H.Takakura	2004-12-06		JSA 96132			A4
				chr	Patrick Chua	2006-07-28		type		Product Customer Drawing	
				appd	Joey Ng	2006-07-28					
sheet index	revision	C									
	sheet	1									

TOLERANCES
UNLESS OTHERWISE SPECIFIED : ±0.2



MATERIAL

INSULATOR : PBT RESIN GLASS REINFORCED (UL94V-0)
COLOR : BLACK
CONTACT : PHOSPHOR BRONZE (TIN PLATED)(LEAD FREE)

NO. OF CONTACTS	CAT. NO.	DIMENSIONS		21	HLEM21S-2R	29.80	27.66
		A ±0.3	B ±0.1				
3	HLEM 3S-2R	7.30	5.16	22	HLEM22S-2R	31.05	28.91
4	HLEM 4S-2R	8.55	6.41	23	HLEM23S-2R	32.30	30.16
5	HLEM 5S-2R	9.80	7.66	24	HLEM24S-2R	33.55	31.41
6	HLEM 6S-2R	11.05	8.91	25	HLEM25S-2R	34.80	32.66
7	HLEM 7S-2R	12.30	10.16	26	HLEM26S-2R	36.05	33.91
8	HLEM 8S-2R	13.55	11.41	27	HLEM27S-2R	37.30	35.16
9	HLEM 9S-2R	14.80	12.66	28	HLEM28S-2R	38.55	36.41
10	HLEM 10S-2R	16.05	13.91	29	HLEM29S-2R	39.80	37.66
11	HLEM 11S-2R	17.30	15.16	30	HLEM30S-2R	41.05	38.91
12	HLEM 12S-2R	18.55	16.41	31	HLEM31S-2R	42.30	40.16
13	HLEM 13S-2R	19.80	17.66	32	HLEM32S-2R	43.55	41.41
14	HLEM 14S-2R	21.05	18.91	33	HLEM33S-2R	44.80	42.66
15	HLEM 15S-2R	22.30	20.16	34	HLEM34S-2R	46.05	43.91
16	HLEM 16S-2R	23.55	21.41	35	HLEM35S-2R	47.30	45.16
17	HLEM 17S-2R	24.80	22.66	36	HLEM36S-2R	48.55	46.41
18	HLEM 18S-2R	26.05	23.91	37	HLEM37S-2R	49.80	47.66
19	HLEM 19S-2R	27.30	25.16	38	HLEM38S-2R	51.05	48.91
20	HLEM 20S-2R	28.55	26.41	39	HLEM39S-2R	52.30	50.16
				40	HLEM40S-2R	53.55	51.41

(Cat. No. HLEM__S-2R)

mat'l. code				surface ISO 1302 ✓	tolerance ISO 406 ISO 101	projection 101	product family 58KF				
ltr	ecn no	dr	date	tolerances unless otherwise specified			title 1.25mm Spacing Connector for FPC/FFC				
A	J04-0439	H.T	2004-12-06	angles	linear	mm	dwg no JSA 96133				
B	S05-0176	D.T	2005-06-24				scale	sheet 1 of 1			
C	S06-0252	P.C	2006-07-28				size A4				
				dr				type Product Customer Drawing			
				engr							
				chr	Patrick Chua	2006-07-28					
				appd	Joey Ng	2006-07-28					
sheet index	revision	C	1								

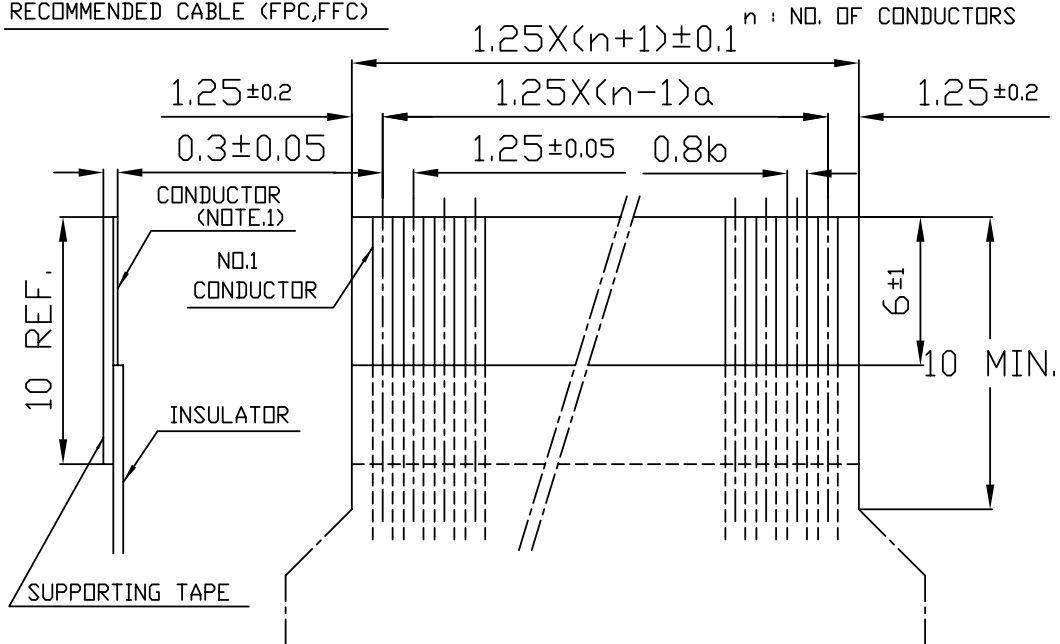


FCIconnect.com

Copyright FCI



RECOMMENDED CABLE (FPC,FFC)



NOTE

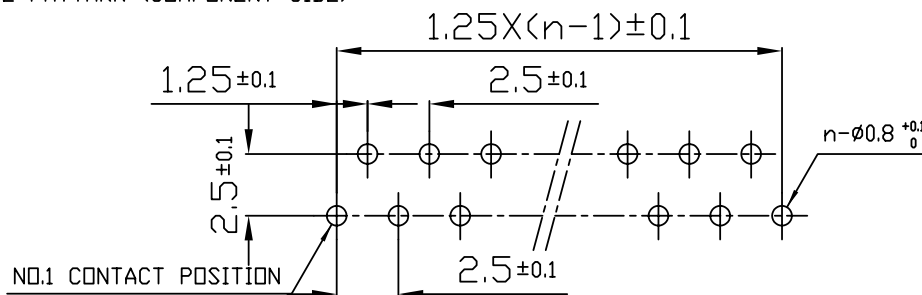
1. FINISH : SOLDER OR TIN PLATED. (1um MIN.)
2. NO BURR AT EACH POSITION.
3. NO PEELING IN COMMON USE.

TYPE	TOLERANCES	
	a	b
FPC	±0.05	±0.1
FFC	±0.1	±0.03

RECOMMENDED P.C. BOARD

THICKNESS : ±0.9 - 2
HOLE PATTERN (COMPONENT SIDE)

n : NO. OF CONTACTS



Cat. No. hLEM__R/S-___

mat'l. code				surface ISO 1302 ✓		tolerance ISO 406 ISO 101		projection 101		product family 58EX					
ltr	ecn no	dr	date	tolerances unless otherwise specified						title					
AA	J04-0253	H.T	2004-08-03	angles		.0±.3		mm		RECOMMENDED CABLE AND P.C. BOARD					
AB	S06-0252	P.C	2006-07-28	linear				scale -							
				dr				FCJ		dwg no		sheet 1 of 1		size	
				engr						JSA 28789				A4	
				chr		Patrick Chua 2006-07-28				type		Product Customer Drawing			
				appd		Joey Ng 2006-07-28									
sheet index		revision		AB											
		sheet		1											



FCconnect.com

Copyright FCJ

