



MODEL NO: 12-21UYC/S530-A2/TR8

Device Number : DSE-121-031 REV. 1.0

Chip LEDs with Right Angle Lens

ECN : Page: 1/8

Features :

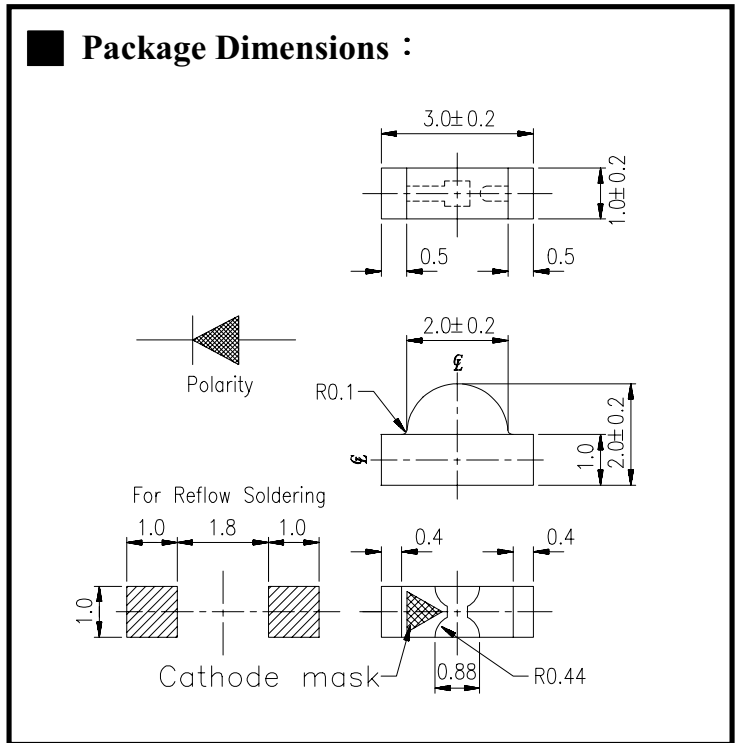
- PACKAGE IN 8mm TAPE ON 7" DIAMETER REEL .
- COMPATIBLE WITH AUTOMATIC PLACE-MENT EQUIPMENT.
- COMPATIBLE WITH INFRARED AND VAP-OR PHASE REFLOW SOLDER PROCESS.
- MONO-COLOR TYPE.

Descriptions :

- The 12-21 SMD Taping is much smaller than le-aded components, thus enable smaller board size, higher packing density, reduced storage space and finally smaller equipment to be obtained.
- Besides, light Weight makes them ideal for minia-ture applications, etc.

Applications :

- Automotive: backlighting in dashboard and switch.
- Telecommunication: indicator and backlighting in telephone and fax.
- Flat backlight for LCD, switch and symbol.
- General use.



Notes :

Tolerances Unless Dimension ±
0.1mm
Angle ±0.5°

| PART NO | Chip | | Lens Color |
|-----------------------|----------|---------------|-------------|
| | Material | Emitted Color | |
| 12-21 UYC/S530-A2/TR8 | AlGaInP | Super Yellow | Water Clear |

Office: NO. 25, Lane 76, Sec.3, Chung Yang Rd., Tucheng 236, Taipei, Taiwan, R.O.C.

TEL: 886-2-2267-2000, 2267-9936

FAX: 886-2-2267-6244, 2267-6189, 2267-6306

http: //www.everlight.com



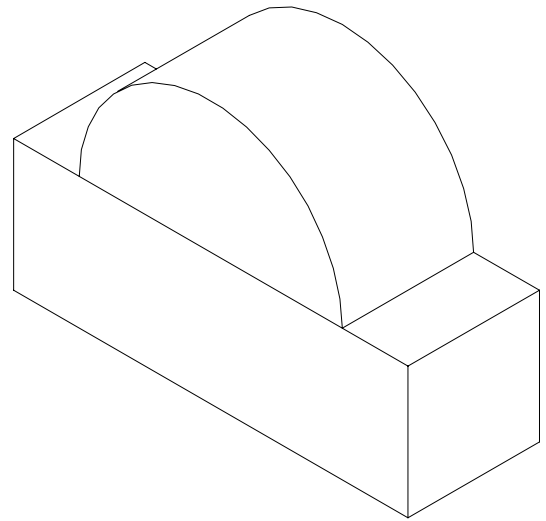
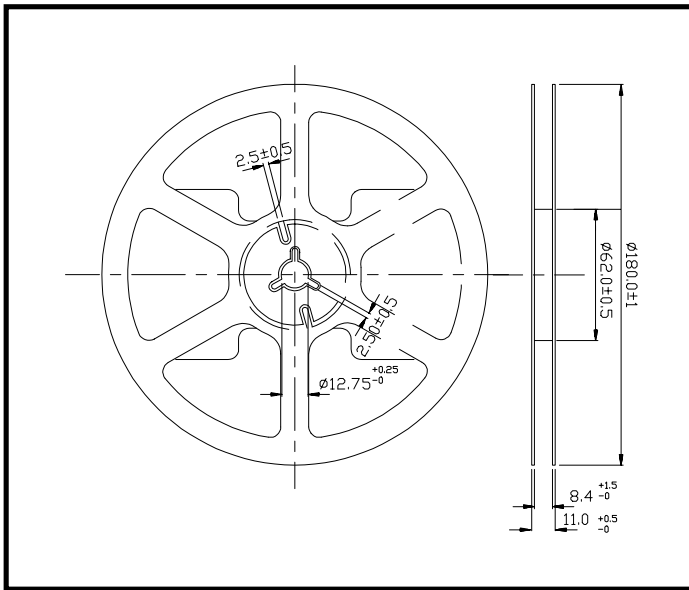
MODEL NO: 12-21UYC/S530-A2/TR8

Device Number : DSE-121-031 REV. 1.0

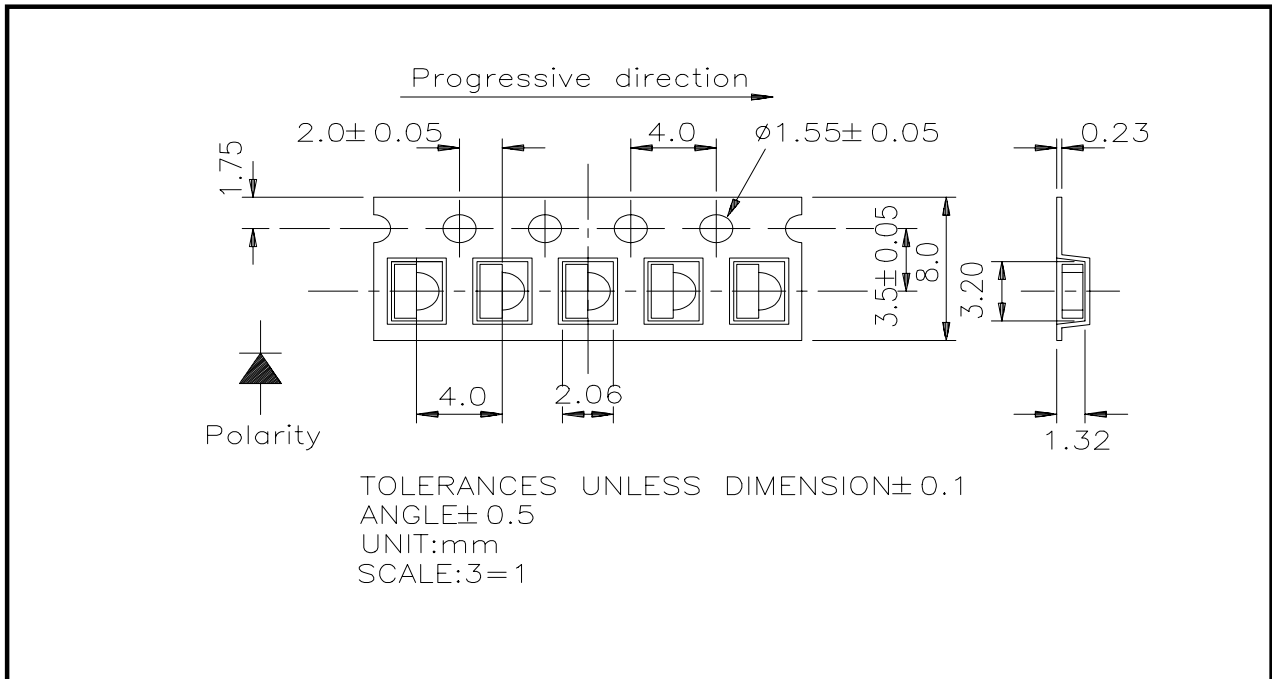
Chip LEDs with Right Angle Lens

ECN : Page: 2/8

■ **Package Dimensions :**



■ **Loaded quantity per reel 2000 pcs/reel :**



MODEL NO: 12-21UYC/S530-A2/TR8Device Number : DSE-121-031 REV. 1.0**Chip LEDs with Right Angle Lens**ECN : Page: 3/8**■ Absolute Maximum Ratings at Ta = 25°C**

| Parameter | Symbol | Rating | Unit |
|--|----------|--------------------|------|
| Reverse Voltage | Vr | 5 | V |
| Forward Current | If | 25 | mA |
| Operating Temperature | Topr | -40 ~ +85 | °C |
| Storage Temperature | Tstg | -40 ~ +90 | °C |
| Soldering Temperature | Tsol | 260 (for 5 second) | °C |
| Power Dissipation | Pd | 60 | mW |
| Peak Forward Current(Duty 1/10 @ 1KHZ) | If(Peak) | 160 | mA |

■ Electronic Optical Characteristics :

| Parameter | Symbol | Min. | Typ. | Max. | Unit | Condition |
|------------------------------|--------|-------|-------|-------|------|-----------|
| Luminous intensity | Iv | 19 | 48 | ----- | mcd | If=20mA |
| Viewing Angle | 2θ 1/2 | ----- | 120 | ----- | deg | If=20mA |
| Peak Wavelength | λ p | ----- | 591 | ----- | nm | If=20mA |
| Dominant Wavelength | λ d | ----- | 589 | ----- | nm | If=20mA |
| Spectrum Radiation Bandwidth | △ λ | ----- | 15 | ----- | nm | If=20mA |
| Forward Voltage | Vf | ----- | 2.0 | 2.4 | V | If=20mA |
| Reverse Current | Ir | ----- | ----- | 10 | μ A | Vr=5V |



MODEL NO: 12-21UYC/S530-A2/TR8

Device Number : DSE-121-031 REV. 1.0

Chip LEDs with Right Angle Lens

ECN : _____ Page: 4/8

Specifications For Bin Grading

| Bin Grading | Min. | Typ. | Max. | Unit |
|-------------|------|-------|------|------|
| M | 16.0 | ----- | 32.0 | mcd |
| N | 25.0 | ----- | 50.0 | mcd |
| P | 40.0 | ----- | 80.0 | mcd |

Reliability Test Item And Condition

| NO | Item | Test Conditions | Test Hours/Cycle | Sample Size | Ac/Re |
|----|----------------------------------|---|------------------|-------------|-------|
| 1 | Solder Heat | TEMP : 260°C ± 5 °C | 5 SEC | 76 Pcs | 0/1 |
| 2 | Temperature Cycle | H : +85°C 30min ∩ 5 min L : -55°C 30min | 50 CYCLE | 76 Pcs | 0/1 |
| 3 | Thermal Shock | H : +100°C 5min ∩ 10 sec L : -10°C 5min | 50 CYCLE | 76 Pcs | 0/1 |
| 4 | High Temperature Storage | TEMP : 100°C | 1000 HRS | 76 Pcs | 0/1 |
| 5 | Low Temperature Storage | TEMP : -55°C | 1000 HRS | 76 Pcs | 0/1 |
| 6 | DC Operating Life | If = 20 mA | 1000 HRS | 76 Pcs | 0/1 |
| 7 | High Temperature / High Humidity | 85°C /85% RH | 1000 HRS | 76 Pcs | 0/1 |



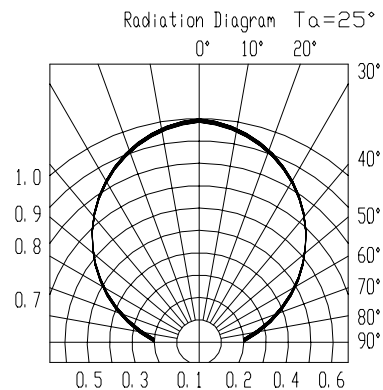
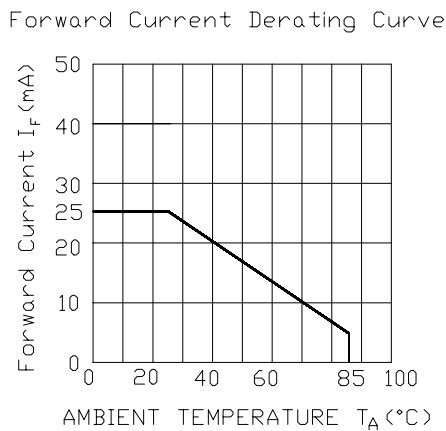
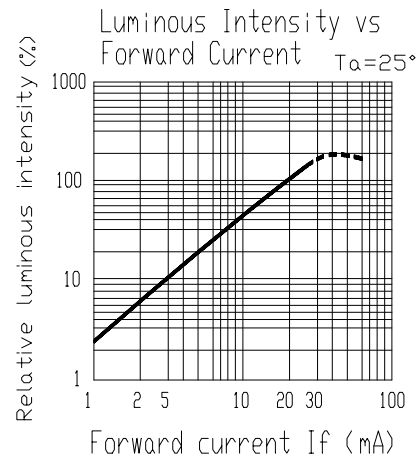
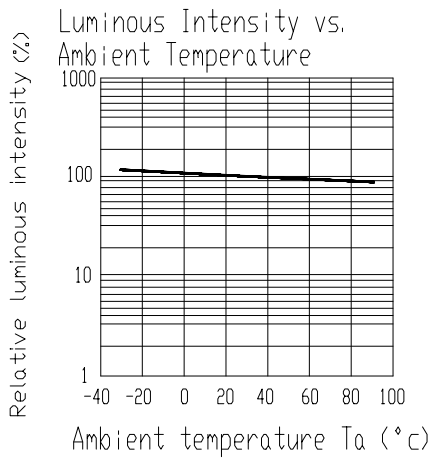
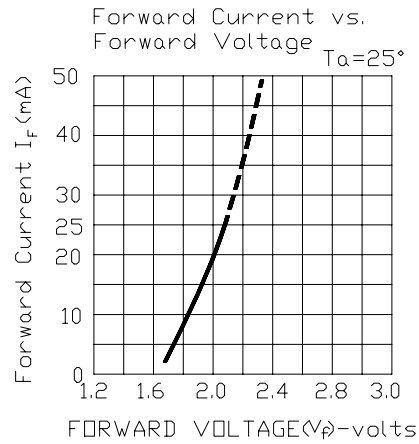
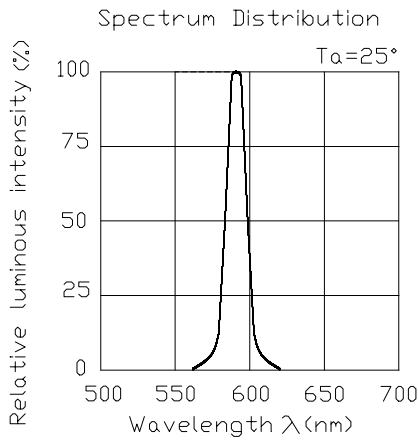
MODEL NO: 12-21UYC/S530-A2/TR8

Device Number : DSE-121-031 REV. 1.0

Chip LEDs with Right Angle Lens

ECN : _____ Page: 5/8

Typical Electro-Optical Characteristic Curves





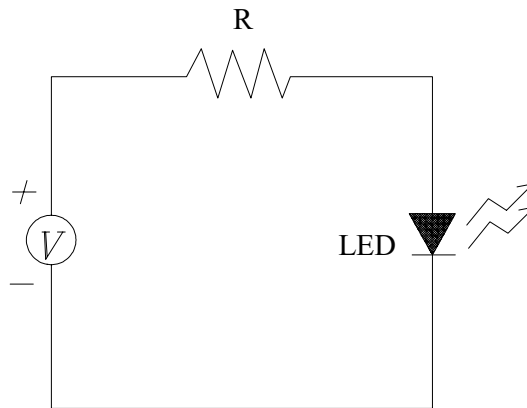
MODEL NO: 12-21UYC/S530-A2/TR8

Device Number : DSE-121-031 REV. 1.0

Chip LEDs with Right Angle Lens

ECN : Page: 6/8

■ Test Circuit



■ Precautions For Use

1. Over-current-proof

Customer must apply resistors for protection , otherwise slight voltage shift will cause big current change (Burn out will happen).

2. Storage time

2.1 The operation of temperature and R.H. are : $5^{\circ}\text{C}\sim 35^{\circ}\text{C}$, R.H.60%.

2.2 Once the package is opened , the products should be used within a week.

Otherwise , they should be keep in a damp proof box with desiccants.

Considering the tape life , we suggest our customers to use our products within a year(from production date).

2.3 If opened more than one week in an atmosphere $5^{\circ}\text{C}\sim 35^{\circ}\text{C}$, R.H.60%, they should be treated at $60^{\circ}\text{C} \pm 5^{\circ}\text{C}$ for 15hrs.

2.4 When you discover that the desiccant in the package has a pink color (normal=blue) , you should treat them in the same conditions as 2.3.

MODEL NO: 12-21UYC/S530-A2/TR8

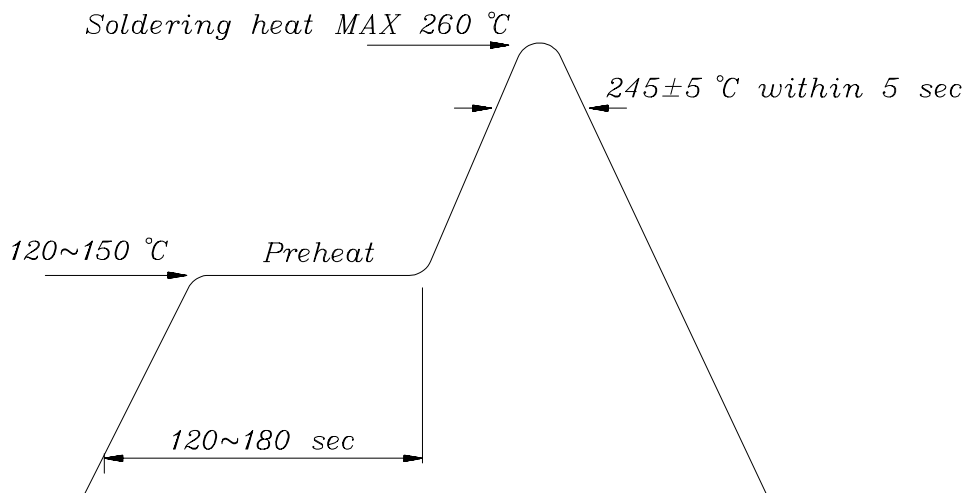
Device Number : DSE-121-031 REV. 1.0

Chip LEDs with Right Angle Lens

ECN : Page: 7/8

■ **Soldering heat reliability (DIP)**

Please refer to the following figure :

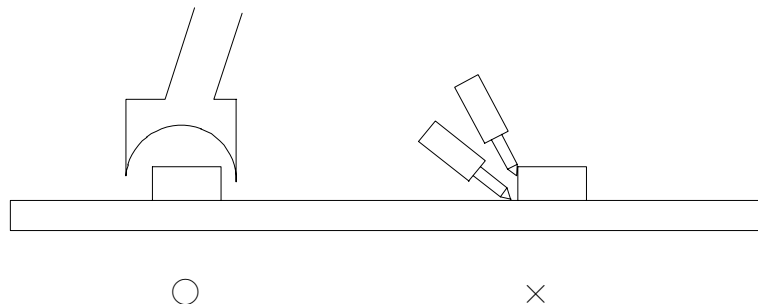


■ **Soldering Iron**

Basic spec is ≤ 5 sec when 260°C . If temperature is higher, time should be shorter ($+10^{\circ}\text{C} \rightarrow -1\text{sec}$). Power dissipation of iron should be smaller than 15 W , and temperature should be controllable. Surface temperature of the device should be under 230°C .

■ **Rework**

1. Customer must finish rework within 5 sec under 260°C .
2. Copper foil can not be touched by the head of iron.
3. Twin-head type is preferred.





EVERLIGHT ELECTRONICS CO.,LTD.

MODEL NO: 12-21UYC/S530-A2/TR8

Device Number : DSE-121-031 REV. 1.0

Chip LEDs with Right Angle Lens

ECN : Page: 8/8

■ Reflow Temp / Time :

