

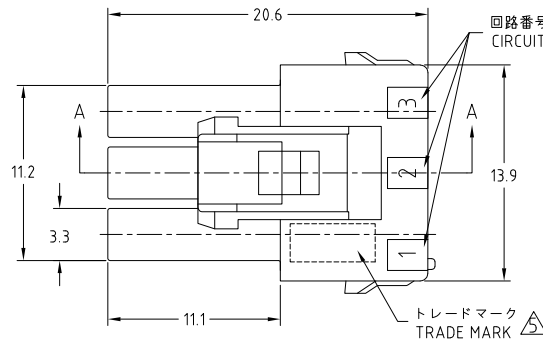
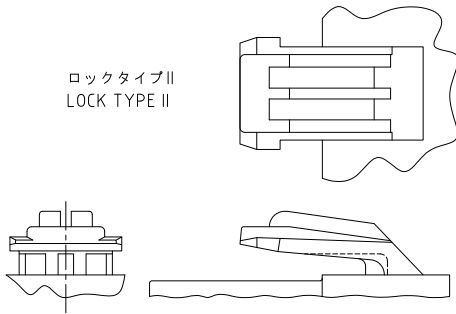
4

3

2

1

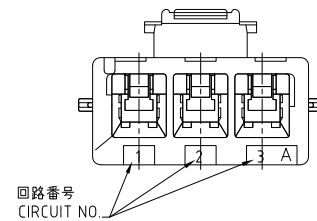
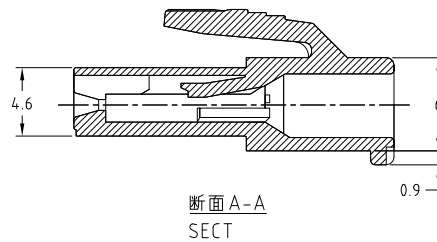
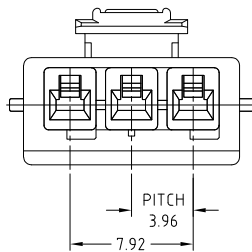
THIS DRAWING IS UNPUBLISHED.		RELEASED FOR PUBLICATION		LOC	DIST	REVISIONS			
COPYRIGHT - By -		ALL RIGHTS RESERVED.		J	-	変更			
P	LTR	DESCRIPTION			DATE	DWN	APVD		
E1		REVISED PER ECO-11-005140			25MAR11	RK	HMR		



注

- 適用コンタクト型番:  
リセコンタクト: 177915-X (AWG#20-#16)  
177914-X (AWG#26-#22)
  - かん合相手製品型番  
キャップハウジング: 177907-X (パネル取付タイプ)  
179464-X (宙吊りタイプ)  
タブコンタクト: 177917-X (AWG#20-#16)  
177916-X (AWG#26-#22)
  - 適用プレート型番: 177919-X
  - 取扱説明書: 411-5638
- △表参照

本図ロックタイプを示す  
AS SHOWN LOCK TYPE II



## NOTES

- APPLICABLE CONTACT P/N  
REC CONTACT : 177915-X (AWG#20-#16)  
177914-X (AWG#26-#22)
  - MATIN CONN. P/N  
CAP HSG : 177907-X (PANEL MOUNT)  
179464-X (FREE HANGING)  
TAB CONTACT : 177917-X (AWG#20-#16)  
177916-X (AWG#26-#22)
  - APPLICABLE PLATE P/N : 177919-X
  - INSTRUCTION SHEET : 411-5638
- △SEE TABLE 1

表1 TABLE 1

トレードマーク TRADE MARK	生産場所 MANUFACTURING LOCATION
-AMP OR AMP	日本 JAPAN
--AMP OR AMP	中国 CHINA (PRC)
*AMP OR AMP	韓国 KOREA

THIS DRAWING IS A CONTROLLED DOCUMENT.

DIMENSIONS: 単位: ㎜	TOLERANCES UNLESS OTHERWISE SPECIFIED: 数公差
10 ≤	±0.2
10 < 30	±0.25
30 < 2100	±0.3
ANGLES	±3°
MATERIAL	FINISH 仕上

DWN	J.SATO	25OCT2007
CHK	S.MANABE	25OCT2007
APVD	S.MANABE	25OCT2007
PRODUCT SPEC	製品規格	108-5410
APPLICATION SPEC	取付適用規格	
WEIGHT		
CUSTOMER DRAWING		

LOCK TYPE II	自然色 (NATURAL)		3-177899-1
LOCK TYPE I	黒 (BLACK)		177899-9
	青 (BLUE)		177899-6
	黄 (YELLOW)		177899-4
	赤 (RED)		177899-2
自然色 (NATURAL)	3		177899-1
ロックタイプ LOCK TYPE	ハウジング色調 HOUSING COLOR	極数 POS	型番 PART NUMBER

**STE** TE Connectivity

AMP POWER DOUBLE LOCK CONN  
3.96MM PITCH PLUG HOUSING  
3POS (SGL ROW)

SIZE	CAGE CODE	DRAWING NO	RESTRICTED TO
A3	00779	177899	-

SCALE	4:1	SHEET	1 of 1	REV	E1
-------	-----	-------	--------	-----	----