

4

3

2

1

THIS DRAWING IS UNPUBLISHED.

RELEASED FOR PUBLICATION

ALL RIGHTS RESERVED.

COPYRIGHT - By -

TOLERANCE UNLESS

OTHERWISE SPECIFIED:

一般公差

0 &lt; x ≤ 10 : ±0.2

10 &lt; x ≤ 30 : ±0.25

30 &lt; x ≤ 100 : ±0.3

ANGLE :

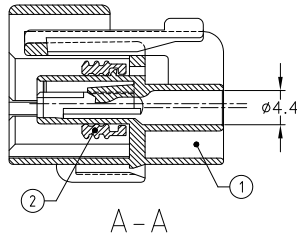
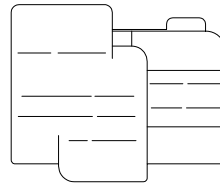
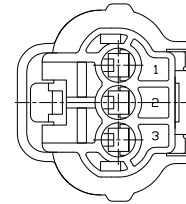
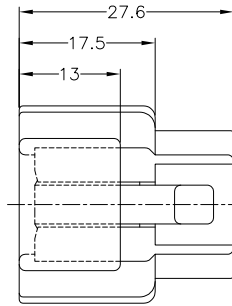
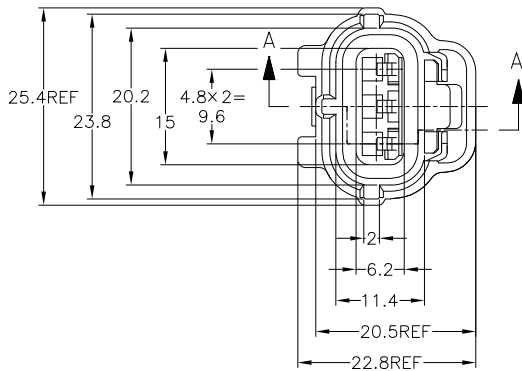
角度 : ±3°

LOC  
JDIST  
-

REVISIONS

変更

P	LTR	DESCRIPTION	DATE	DWN	APVD
C3		REVISED PER ECO-11-005140	28MAR11	RK	HMR



1. 嵌合相手型番 : 174359, 173065
2. 本品はプラグハウジング単体にシールリングがアッセンブリされたものである。
3. 本品はダブルロックプレート型番 174358を装着して使用する。

1. FOR CAP HOUSING PN 174359, 173065
2. THIS PART IS COMPOSED OF PLUG HOUSING AND SEAL RING
3. THIS PART MUST BE USED WITH DOUBLE LOCK PLATE PN 174358

SILICON / GREEN	PBT / BLACK	2-174357-2
SILICON / BROWN	PBT / BLACK	1-174357-2
NBR / BLACK	PBT / GRAY	174357-6
NBR / BLACK	PBT / BLACK	174357-2
② SEAL RING	① PLUG HOUSING	PART NUMBER
MATERIAL / COLOR		

THIS DRAWING IS A CONTROLLED DOCUMENT.

DWN T. SHINOHARA 09FEB04

CHK K. BETSUI 09FEB04

APVD K. BETSUI 09FEB04

DIMENSIONS:

単位: 寸

mm

TOLERANCES UNLESS

OTHERWISE SPECIFIED:

一般公差



0 PLC ± -

1 PLC ± -

2 PLC ± -

3 PLC ± -

4 PLC ± -

ANGLES ± -

FINISH 仕上

MATERIAL

材料

SEE TABLE

NAME

名称

PRODUCT SPEC

製品規格

108-5262

APPLICATION SPEC

取付適用規格

114-5082

WEIGHT

6.15g

CUSTOMER DRAWING

3Pos. ECONOSEAL J-MARKII+ CONNECTOR PLUG HOUSING			
SIZE	CAGE CODE	DRAWING NO	RESTRICTED TO
A3	00779	174357	-
SCALE		SHEET	REV
尺度 2:1		1 of 2	C3

4

3

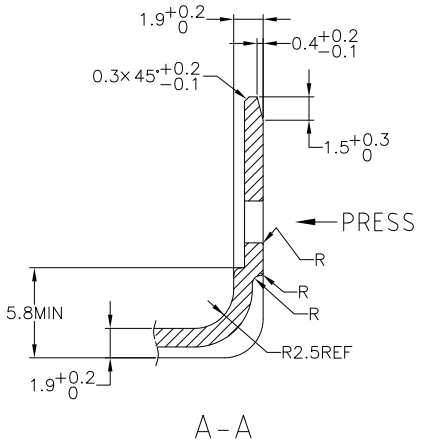
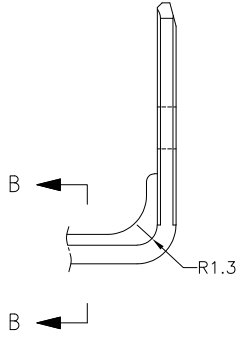
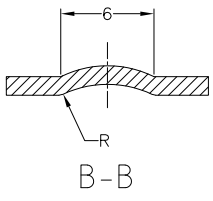
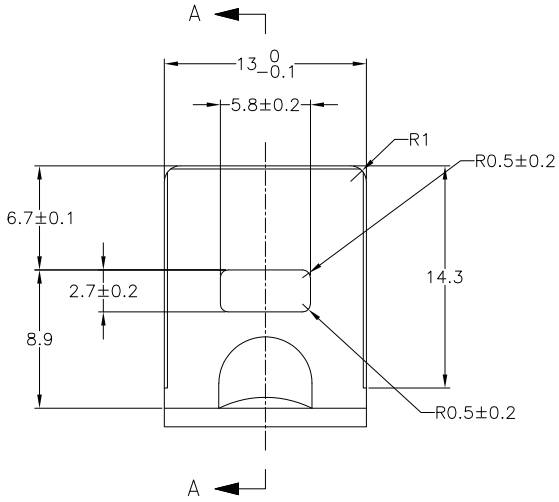
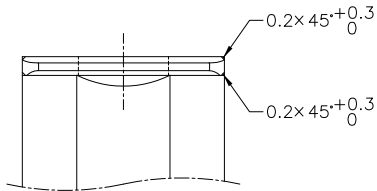
2

1

THIS DRAWING IS UNPUBLISHED. RELEASED FOR PUBLICATION  
 © COPYRIGHT - By - ALL RIGHTS RESERVED.

LOC		DIST		REVISIONS			
J		-		変更			
P	LTR	DESCRIPTION		DATE	DWN	APVD	
-	-	SEE SHEET 1		-	-	-	

ブラケット推奨寸法図  
 RECOMMENDED DIMENSION OF BRACKET



t = 1.2 ± 0.08

TOLERANCE UNLESS OTHERWISE SPECIFIED:  
 一般公差

0 < x ≤ 10	: ±0.2
10 < x ≤ 30	: ±0.25
30 < x ≤ 100	: ±0.3
ANGLE 角度	: ±3°

THIS DRAWING IS A CONTROLLED DOCUMENT.

DIMENSIONS:	TOLERANCES UNLESS OTHERWISE SPECIFIED:
単位: 種	一般公差
mm	
0 PLC	± -
1 PLC	± -
2 PLC	± -
3 PLC	± -
4 PLC	± -
ANGLES	± -
MATERIAL	FINISH
材料	仕上

DWN	T. SHINOHARA	09FEB04	TE Connectivity	3Pos. ECONOSEAL J-MARKII+ CONNECTOR PLUG HOUSING				
CHK	K. BETSUI	09FEB04						
APVD	K. BETSUI	09FEB04						
NAME	名称		SIZE	CAGE CODE	DRAWING NO	RESTRICTED TO		
			A3	00779	174357	-		
CUSTOMER DRAWING			SCALE	4:1	SHEET	2 of 2	REV	C3