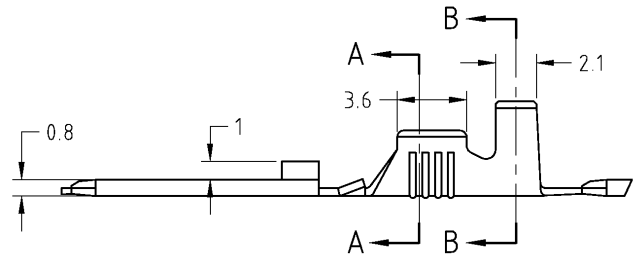
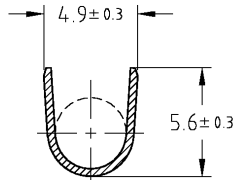
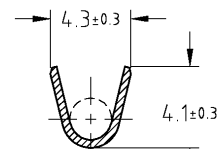
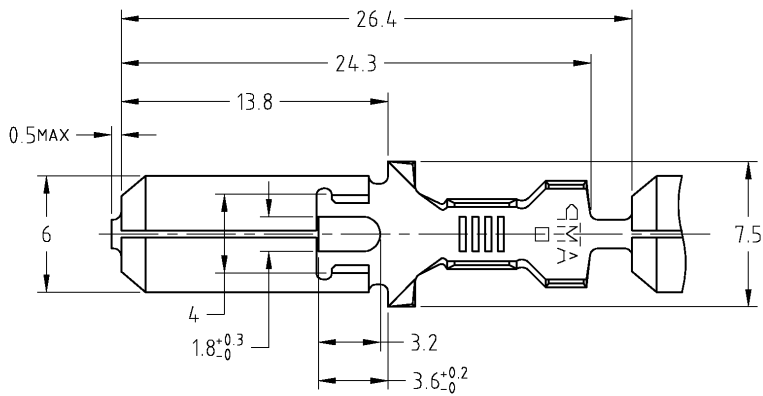


THIS DRAWING IS UNPUBLISHED. RELEASED FOR PUBLICATION
 © COPYRIGHT BY TYCO ELECTRONICS CORPORATION. ALL RIGHTS RESERVED.

LOC	DIST	REVISIONS					
J	-	P	LTR	DESCRIPTION	DATE	DWN	APVD
		C1		REDRAWN WITH CHANGE ECR-05-011868	27SEP2005	J.S	N.Y



FINISH	MATERIAL	PART NUMBER
—W	鍍めつき済 黄銅 PRE-TIN BRASS t=0.41	170341-4 △
—W	鍍めつき済 黄銅 PRE-TIN BRASS t=0.41	170341-3
—W	黄銅 BRASS t=0.41	170341-1

注記：
 △ 中間紙を巻いたタイプ
 NOTES:
 △ SEPARATE PAPER TYPE

THIS DRAWING IS A CONTROLLED DOCUMENT.

DIMENSIONS: 単位: 英 mm	TOLERANCES UNLESS OTHERWISE SPECIFIED: 一般公差	DWN T.SHINOHARA 16JUN1998	Tyco Electronics AMP K.K. Kawasaki, Japan	
10± ±0.2 30± >10 ±0.25 100± >30 ±0.3	ANGLES FINISH 仕上 ±0.3	CHK K.BETSUI 16JUN1998	250 SERIES TAB WITHOUT LATCH	
MATERIAL 材料 SEE TABLE	SEE TABLE	APVD K.BETSUI 16JUN1998	SIZE A3	RESTRICTED TO —
		PRODUCT SPEC 製品規格 108-5147,5153,5319	CAGE CODE 00779	DRAWING NO 170341
		APPLICATION SPEC 取付準備規格 114-5052	WEIGHT	SCALE 尺数 5:1
		WIRE RANGE 2-3.37mm ² (AWG#14-#12)	SHEET 1 OF 1 REV C1	

AMP 1470-19 REV 31MAR2000

H:\DMTEC\CH-IN\C170341.dwg