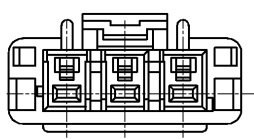
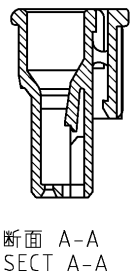
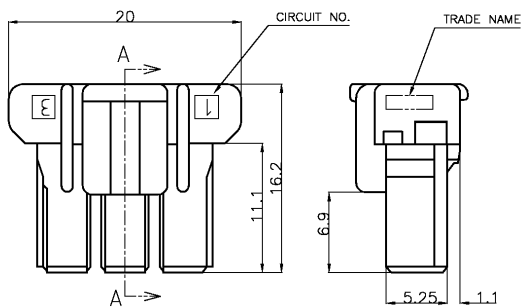
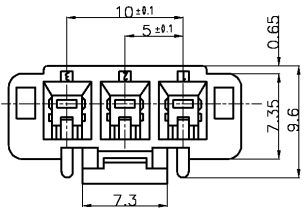


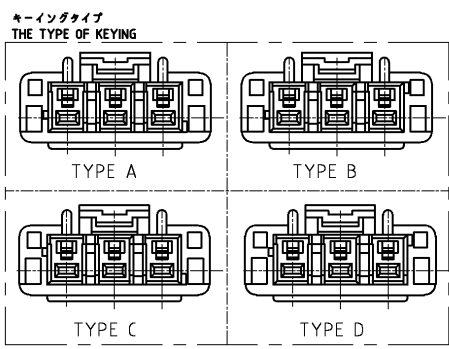
THIS DRAWING IS UNPUBLISHED. RELEASED FOR PUBLICATION
 COPYRIGHT BY TYCO ELECTRONICS CORPORATION. ALL RIGHTS RESERVED.

| LOC | DIST | REVISIONS | | | | | |
|-----|------|-----------|-----|-----------------------|----------|-----|------|
| | | P | LTR | DESCRIPTION | DATE | DWN | APVD |
| J | - | 0 | | RELEASED FJ00-1509-00 | 28AUG'00 | A.O | Y.K |
| | | A | | REVISED FJDO-0326-04 | 27SEP'04 | A.O | N.Y |
| | | B | | REVISED ECR-08-025045 | 08OCT'08 | J.S | S.M |



注)
 1. かん合相手製品型番
 ヘッダー: TABLE参照のこと
 リセコンタクト: 1376347-1, 1376348-1
 2. 通称プレート型番: 1376395-1

NOTES)
 1. MATING CONN. P/N
 HEADER ASS'Y SEE TABLE
 REC CONTACT :1376347-1,1376348-1
 2. APPLICABLE PLATE P/N :1376395-1



| | |
|-----------------|---------------------------------------|
| ハウジング (HOUSING) | 6/6ナイロングラス強化 (6/6 NYLON GLASS FILLED) |
| 名称 (NAME) | 材料 (MATERIAL) |

| Part No. | Keying Type | Color | Pos | Part No. |
|-------------|-------------|---------|------|-------------|
| 3-1376421-4 | TYPE D | 黄色 | 3Pos | 3-1376389-4 |
| 3-1376383-4 | | YELLOW | 3Pos | |
| 2-1376421-3 | TYPE C | 青色 | 3Pos | 2-1376389-3 |
| 2-1376383-3 | | BLUE | 3Pos | |
| 1-1376421-2 | TYPE B | 赤色 | 3Pos | 1-1376389-2 |
| 1-1376383-2 | | RED | 3Pos | |
| 1376421-1 | TYPE A | 自然色 | 3Pos | 1376389-1 |
| 1376383-1 | | NATURAL | 3Pos | |

かん合相手 (ヘッダー) P/N MATING CONN. P/N

キーイングタイプ THE TYPE OF KEYING

色 Color

極数 Pos

型番 PART NO.

THIS DRAWING IS A CONTROLLED DOCUMENT.

| | | | | |
|------------------------|---|---------------------------|--|------------------|
| DIMENSIONS: 単位: 精 (mm) | TOLERANCES UNLESS OTHERWISE SPECIFIED: 一般公差 | DWN: A.OISHI 31AUG00 | Tyco Electronics Tyco Electronics AMP K.K. Kawasaki, Japan | |
| 0 PLC ± 0.2 | 1 PLC ± 0.2 | CHK: Y.KASHIWA 28AUG'00 | 5.0 POWER KEY CONNECTOR 3P PLUG HOUSING | |
| 2 PLC ± 0.2 | 3 PLC ± | APVD: Y.KASHIWA 28AUG'00 | SIZE: A3 | CAGE CODE: 00779 |
| 4 PLC ± | ANGLES ± 1' | PRODUCT SPEC 108-5699 | DRAWING NO: 1376389 | RESTRICTED TO |
| MATERIAL: 材料 | FINISH: 仕上 | APPLICATION SPEC 114-5292 | SCALE: 3:1 | SHEET 1 OF 1 |
| SEE TABLE | SEE TABLE | WEIGHT: - | CUSTOMER DRAWING | REV B |