

## Anaren Integrated Radio 110L Series



**A110LR09A**

The A110LR09A is a ULTRA low cost, high-performance, FCC & IC certified radio module that incorporates the Texas Instruments CC110L “value line” transceiver chip in the industry’s smallest package (9 x 16 x 2.5mm).

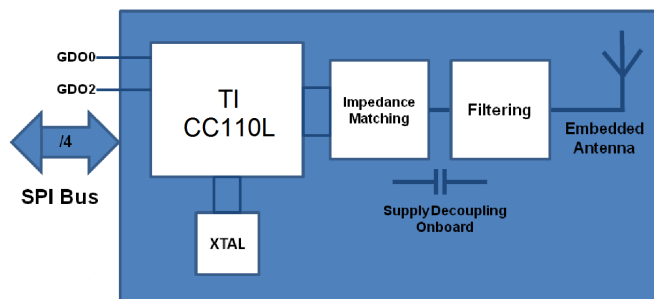
### Features

- Frequency range: 902-928 MHz (N. America) and 868-870 MHz (Europe)
- FCC, IC and ETSI compliant, shielded package
- Digital RSSI output
- Programmable output power up to +10dBm
- High sensitivity (-112 dBm at 1.2 kBaud, 915 MHz 1% packet error rate)
- Ultra-small package size 9 x 16 x 2.5mm
- LGA footprint
- RoHS compliant
- Operating temperature -40 to +85C
- Impedance-controlled, multi-layer PCB
- 1.8 to 3.6 VDC
- Low current consumption (15 mA in RX, 1.2 kBaud, 915 MHz)
- 200 nA sleep mode current consumption
- Efficient SPI interface; all registers can be programmed with one “burst” transfer
- Available in tape & reel and matrix tray

### Benefits

- Minimal RF engineering experience necessary
- No additional “Intentional Radiator” certification required (FCC CFR 47 Part 15, IC RSS-210)
- Minimal real estate required
- Easily implemented on a two layer PCB
- No additional harmonic filtering required
- 100% RF-tested in production
- Common footprint for product family
- No additional DC decoupling required
- Integrated analog temperature sensor
- Excellent receiver selectivity and blocking performance
- Suitable for frequency hopping systems, thanks to a fast-settling frequency synthesizer with 90  $\mu$ s settling time
- Impedance-matched balun for optimized efficiency
- Support for asynchronous and synchronous serial receive/transmit mode for backwards compatibility with existing radio communication protocols

### Block diagram

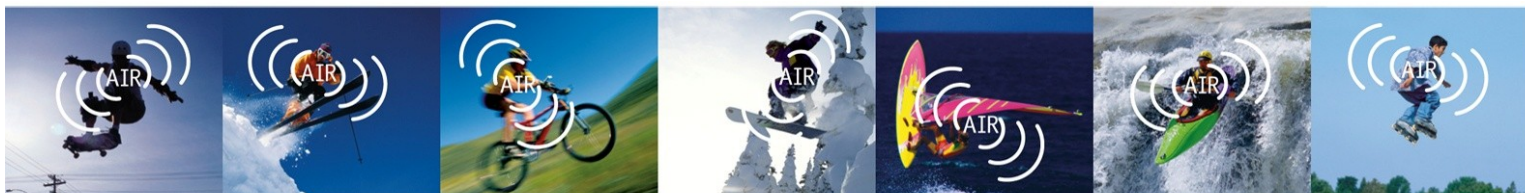


**PLEASE NOTE:** Additional information on the Texas Instruments CC110L device can be found in the company’s latest datasheet release at <http://www.ti.com>



*This product shall not be used in any of the following products or systems without prior express written permission from Anaren Microwave, Inc:*

- implantable cardiac rhythm management systems, including without limitation pacemakers, defibrillators and cardiac resynchronization devices;
- external cardiac rhythm management systems that communicate directly with one or more implantable medical devices; or
- other devices used to monitor or treat cardiac function, including without limitation pressure sensors, biochemical sensors and neurostimulators.



## Anaren Integrated Radio

### Product overview

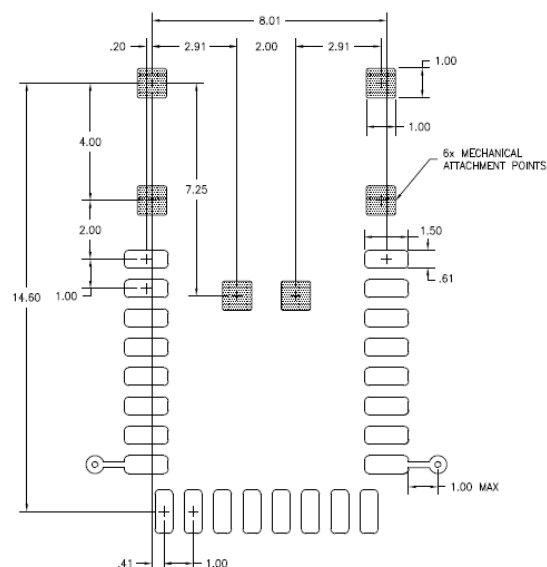
The A110LR09A is a high-performance, dual-band FCC & IC certified and ETSI compliant radio module that incorporates the Texas Instruments CC110L “value line” low-cost transceiver chip in the industry’s smallest package (9 x 16 x 2.5mm) and is compatible with all TI-approved software stacks.

With an LGA pad footprint, this module is designed to effortlessly integrate into a wide range of applications, including: industrial control, building automation, low-power wireless sensor networks, lighting control, and automated meter reading.

The A110LR09A has an RoHS-compliant ENIG finish and is packaged on tape and reel for high-volume automated manufacturing.

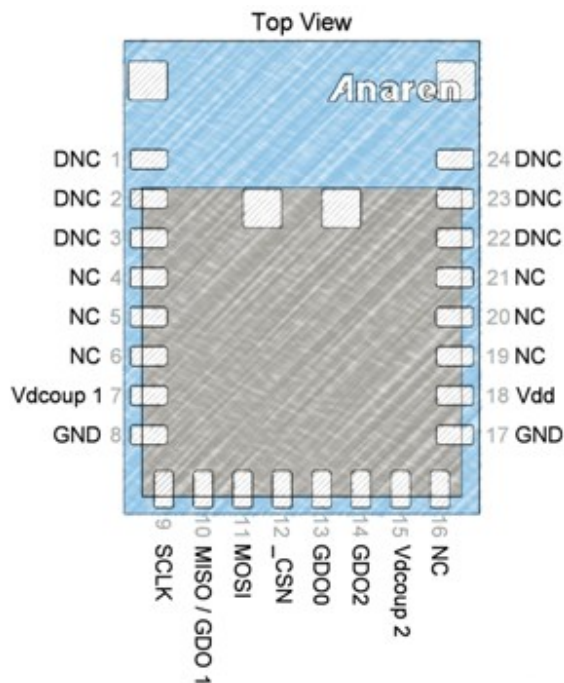
### Footprint

Refer to User’s Manual for additional layout guidelines.  
Dimensions in mm.



### Pin diagram

DNC = Do Not Connect



### Nomenclature

# A110LR09A00GR

① ② ③ ④ ⑤ ⑥ ⑦

- |   |   |
|---|---|
| A | (Anaren)  |
| 1 | Chip series (CC1101, CC110L, CC2500)              |
| 2 | Function (R = radio only)                         |
| 3 | Frequency band (x100MHz)                          |
| 4 | Form factor (A = Internal Antenna, C = Connector) |
| 5 | Design ID (00 = Default)                          |
| 6 | Application (G = General)                         |
| 7 | Packaging (R = Tape/Reel, M = Matrix Tray)        |



Caution! ESD sensitive device. Precautions should be used when handling the device in order to prevent permanent damage.