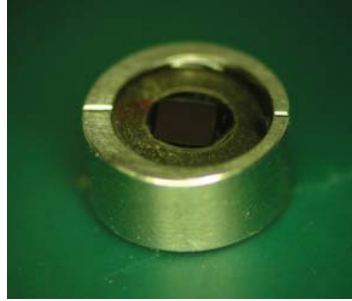


## Features:

- High reliability
- Low insertion Loss
- High Isolation
- Optimized for different wavelengths
- Wide operating temperature range

## Free Space Isolator



Finisar free space isolators are used in various TOSAs, which require isolation to prevent feedback into the laser. Available in single stage and semi-double stage designs.

Finisar free space isolators offer excellent performance with low insertion loss, high isolation. Our proprietary bonding process, and years of volume manufacturing experience, results in a high reliability record. Bare isolator chips survive more than 5,000hrs of damp heat testing without delamination.

## Specifications:

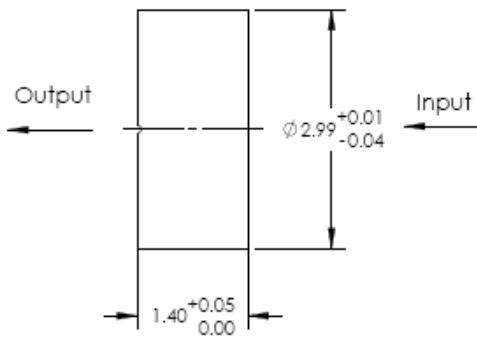
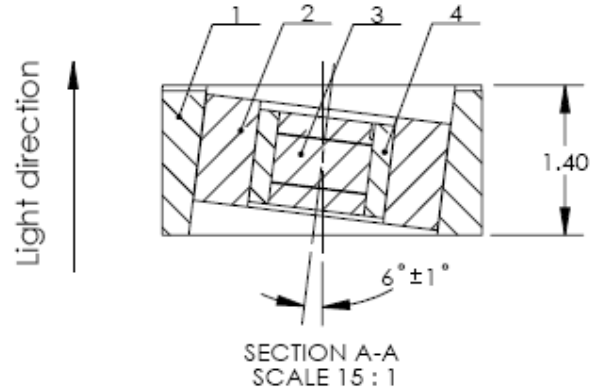
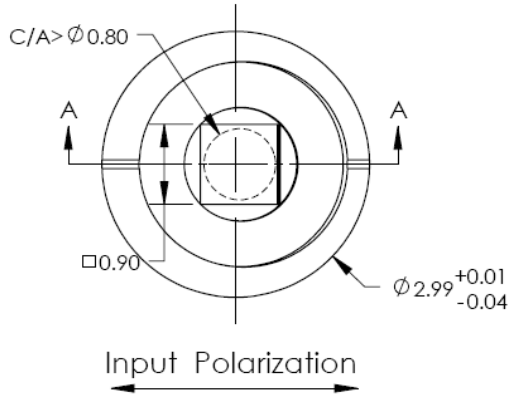
Single stage free space isolator specifications:

Parameters	Units	Specification	
CWL	nm	1310	1550
Operating wavelength	nm	1300-1320	1540-1560
Operating temperature	°C	-40 to 85	
Insertion loss	dB	< 0.3	
Min. Isolation *	dB	> 20	> 21
Isolation at center wavelength	dB	>33 dB @ 23°C	
Clear aperture	mm	> 0.8 diameter	
Tilt angle	DEG	6 +/- 1	
Storage temperature	°C	-40 to +100	

\*Note: Over all wavelengths and temperatures.

## Package Dimensions (unit:mm):

### Single Stage Isolator (Round type)



## Ordering Information

### Part Number Description

FIF-S-55-080-R Free space isolator, 1550nm, single stage, CA 0.8mm, round  
 FIF-S-31-080-R Free space isolator, 1310nm, single stage, CA 0.8mm, round