

Rectifier Diode

Part Number	V _{RRM} (V)	I _{FAV} (A)	Condition	I _{FSM} (A)	V _{FM} (V) 25° C	I _{RM} (μA) 25° C	T _{jmax} (° C)	Case Outline
-------------	----------------------	----------------------	-----------	----------------------	---------------------------	----------------------------	-------------------------	--------------

Axial



*	10EDA10	100	1	Ta=39°C PCB Mounted	45	1	10	150	1
*	10EDA20	200	1	Ta=39°C PCB Mounted	45	1	10	150	1
*	10EDA40	400	1	Ta=39°C PCB Mounted	45	1	10	150	1
*	10EDA60	600	1	Ta=39°C PCB Mounted	45	1	10	150	1
*	10EDB10	100	1	Ta=39°C PCB Mounted	45	1	10	150	1
*	10EDB20	200	1	Ta=39°C PCB Mounted	45	1	10	150	1
*	10EDB40	400	1	Ta=39°C PCB Mounted	45	1	10	150	1
*	10EDB60	600	1	Ta=39°C PCB Mounted	45	1	10	150	1
*	10JDA10	100	1	Ta=29°C	45	1	10	150	2
*	10JDA20	200	1	Ta=29°C	45	1	10	150	2
*	10JDA40	400	1	Ta=29°C	45	1	10	150	2
*	10JDA60	600	1	Ta=29°C	45	1	10	150	2
*	10DDA10	100	1	Ta=58°C	45	1	10	150	3
*	10DDA20	200	1	Ta=58°C	45	1	10	150	3
*	10DDA40	400	1	Ta=58°C	45	1	10	150	3
*	10DDA60	600	1	Ta=58°C	45	1	10	150	3
*	20KDA10	100	1.7	Ta=34°C PCB Mounted	75	1	10	150	4
*	20KDA20	200	1.7	Ta=34°C PCB Mounted	75	1	10	150	4
*	20KDA40	400	1.7	Ta=34°C PCB Mounted	75	1	10	150	4
*	20KDA60	600	1.7	Ta=34°C PCB Mounted	75	1	10	150	4
*	30PDA10	100	3	Tl=124°C	100	1	10	150	6
*	30PDA20	200	3	Tl=124°C	100	1	10	150	6
*	30PDA40	400	3	Tl=124°C	100	1	10	150	6
*	30PDA60	600	3	Tl=124°C	100	1	10	150	6

* 印は一般的電気・電子機器市場用途です。高い品質・信頼性が要求される装置への使用をご検討の際には、必ず当社販売窓口へご相談下さい。

The marked product with an Asterisk could be used for commodity market in general only.

In case you need to use it with high quality & high reliability required in applications such as Automotive, Space & Military and so on, please contact our local sales office or Distributor/Representatives for further assistance

Rectifier Diode

Part Number	V _{RRM} (V)	I _{FAV} (A)	Condition	I _{FSM} (A)	V _{FM} (V) 25° C	I _{RM} (μA) 25° C	T _{jmax} (° C)	Case Outline
-------------	----------------------	----------------------	-----------	----------------------	---------------------------	----------------------------	-------------------------	--------------

SOD-123



EP05DA40	400	0.5	Tl=107°C	8	1.1	10	150	8
----------	-----	-----	----------	---	-----	----	-----	---

SMA



EC10DS1	100	1	Ta=25°C Alumina Substrate Mounted	25	1.1	10	150	9
EC10DS2	200	1	Ta=25°C Alumina Substrate Mounted	25	1.1	10	150	9
EC10DS4	400	1	Ta=25°C Alumina Substrate Mounted	25	1.1	10	150	9
EC10DA40	400	1	Ta=29°C Alumina Substrate Mounted	25	1.05	10	150	9

Narrow SMC



NSD03A10	100	3	Tl=108°C	80	1	50	150	12
NSD03A20	200	3	Tl=108°C	80	1	50	150	12
NSD03A40	400	3	Tl=108°C	80	1	50	150	12

TO-220F-2pin



FSD20A90	900	20	Tc=102°C	200	1.25	50	150	17
----------	-----	----	----------	-----	------	----	-----	----

Fast Recovery Diode

Part Number	V _{RRM} (V)	I _{FAV} (A)	Condition	I _{FSM} (A)	V _{FM} (V) 25° C	I _{RM} (mA) 25° C	T _{jmax} (° C)	t _{rr} (ns)	Case Outline
-------------	----------------------	----------------------	-----------	----------------------	---------------------------	----------------------------	-------------------------	----------------------	--------------

Axial



*	10ERB10	100	1	Ta=50°C PCB Mounted	45	1.03	0.01	150	60	1
*	10ERB20	200	1	Ta=50°C PCB Mounted	45	1.03	0.01	150	60	1
*	10ERB40	400	1	Ta=37°C PCB Mounted	35	1.13	0.01	150	120	1
*	10ERB60	600	1	Ta=37°C PCB Mounted	35	1.13	0.01	150	120	1
	10ERA60	600	1	Tl=118°C	30	1.3	0.01	150	80	1
	11EFS2	200	1	Ta=32°C PCB Mounted	30	0.98	0.01	150	30	1
	11EFS4	400	1	Ta=24°C PCB Mounted	30	1.25	0.02	150	30	1
*	10DRA10	100	1	Ta=68°C PCB Mounted	45	1.03	0.01	150	60	3
*	10DRA20	200	1	Ta=68°C PCB Mounted	45	1.03	0.01	150	60	3
*	10DRA40	400	1	Ta=58°C PCB Mounted	35	1.13	0.01	150	120	3
*	10DRA60	600	1	Ta=58°C PCB Mounted	35	1.13	0.01	150	120	3
	11DF2	200	1	Ta=63°C PCB Mounted	30	0.98	0.01	150	30	3
	11DF4	400	1	Ta=57°C PCB Mounted	30	1.25	0.02	150	30	3
*	15KRA10	100	1.5	Ta=46°C PCB Mounted	50	1.03	0.01	150	90	4
*	15KRA20	200	1.5	Ta=46°C PCB Mounted	50	1.03	0.01	150	90	4
*	15KRA40	400	1.5	Ta=35°C PCB Mounted	50	1.1	0.01	150	160	4
*	15KRA60	600	1.5	Ta=35°C PCB Mounted	50	1.1	0.01	150	160	4
	20NFA40	400	2	Tl=114°C	50	1.28	0.01	150	35	5
New	20NFB60	600	2	Tl=104°C	50	1.58	0.01	150	35	5
*	30PRA10	100	3	Tl=124°C	100	1.07	0.01	150	90	6
*	30PRA20	200	3	Tl=124°C	100	1.07	0.01	150	90	6
*	30PRA40	400	3	Tl=121°C	70	1.15	0.01	150	210	6
*	30PRA60	600	3	Tl=121°C	70	1.15	0.01	150	210	6
	31DF2	200	3	Ta=40°C with Fin	60	0.98	0.01	150	30	6
	31DF4	400	3	Ta=25°C with Fin	60	1.25	0.02	150	30	6
New	30PFD60	600	3	Tl=113°C	45	1.45	0.02	150	45	6
	30PFB60	600	3	Tl=109°C	45	1.7	0.02	150	35	6
	30PUA60	600	3	Tl=92°C	55	2.35	0.02	150	32	6
	30PUB60	600	3	Tl=89°C	45	2.7	0.02	150	27	6

*印は一般的電気・電子機器市場用途です。高い品質・信頼性が要求される装置への使用をご検討の際には、必ず当社販売窓口へご相談下さい。

B4

The marked product with an Asterisk could be used for commodity market in general only.

In case you need to use it with high quality & high reliability required in applications such as Automotive, Space & Military and so on, please contact our local sales office or distributor representatives for further assistance

<http://store.iiic.co/>

Fast Recovery Diode

Part Number	V _{RRM} (V)	I _{FAV} (A)	Condition	I _{FSM} (A)	V _{FM} (V) 25° C	I _{RM} (mA) 25° C	T _{jmax} (° C)	t _{rr} (ns)	Case Outline
-------------	----------------------	----------------------	-----------	----------------------	---------------------------	----------------------------	-------------------------	----------------------	--------------

SOD-123



EP04RA60	600	0.4	TI=108°C	8	1.32	0.01	150	40	8
EP05FA20	200	0.5	TI=115°C	8	0.95	0.01	150	30	8

SMA



EC8FS6	600	0.8	Ta=35°C Alumina Substrate Mounted	20	1.32	0.02	150	80	9
EC11FS2	200	1	Ta=34°C Alumina Substrate Mounted	20	0.98	0.01	150	30	9
EC11FS4	400	1	Ta=26°C Alumina Substrate Mounted	20	1.25	0.02	150	30	9
EC10UA20	200	1	Ta=41°C Alumina Substrate Mounted	20	1.10	0.02	150	20	9
EC10UA40	400	1	Ta=28°C Alumina Substrate Mounted	20	1.50	0.02	150	25	9

Narrow SMC



New
New

NSF03A20	200	3	TI=106°C	45	0.98	0.01	150	30	12
NSF03A40	400	3	TI=99°C	45	1.25	0.02	150	30	12
NSF03B60	600	3	TI=83°C	45	1.7	0.02	150	35	12
NSF03D60	600	3	TI=89°C	45	1.45	0.02	150	45	12
NSF03E60	600	3	TI=95°C	60	1.28	0.02	150	75	12
NSU03A60	600	3	TI=72°C	35	2.3	0.02	150	32	12
NSU03B60	600	3	TI=58°C	35	2.7	0.02	150	27	12

TO-251



EA31FS2	200	3	Tc=129°C	45	0.98	0.01	150	30	13A
ESU03A20	200	3	Tc=128°C	45	1.10	0.02	150	25	13A
EA31FS4	400	3	Tc=125°C	45	1.25	0.02	150	30	13A
ESU03A40	400	3	Tc=121°C	45	1.55	0.02	150	30	13A
ESF03B60	600	3	Tc=119°C	45	1.7	0.02	150	35	13A
EA21FC2	200	1A×2	Tc=136°C	30	0.98	0.01	150	30	13B
EA21FC4	400	1A×2	Tc=135°C	30	1.25	0.02	150	30	13B
EA61FC2	200	3A×2	Tc=117°C	45	0.98	0.01	150	30	13B
ECU06A20	200	3A×2	Tc=115°C	45	1.10	0.02	150	25	13B
EA61FC4	400	3A×2	Tc=109°C	45	1.25	0.02	150	30	13B
ECU06A40	400	3A×2	Tc=103°C	45	1.55	0.02	150	30	13B
ECU06B60	600	3A×2	Tc=77°C	35	2.7	0.02	150	27	13B
ECF06B60	600	3A×2	Tc=100°C	45	1.7	0.02	150	35	13B

Fast Recovery Diode

Part Number	V _{RRM} (V)	I _{FAV} (A)	Condition	I _{FSM} (A)	V _{FM} (V) 25° C	I _{RM} (mA) 25° C	T _{jmax} (° C)	t _{rr} (ns)	Case Outline
-------------	----------------------	----------------------	-----------	----------------------	---------------------------	----------------------------	-------------------------	----------------------	--------------

Dpak (TO-252)



EA31FS2-F	200	3	Tc=129°C	45	0.98	0.01	150	30	14A
ESU03A20-F	200	3	Tc=128°C	45	1.10	0.02	150	25	14A
EA31FS4-F	400	3	Tc=125°C	45	1.25	0.02	150	30	14A
ESU03A40-F	400	3	Tc=121°C	45	1.55	0.02	150	30	14A
ESF03B60-F	600	3	Tc=119°C	45	1.7	0.02	150	35	14A
EA21FC2-F	200	1A×2	Tc=136°C	30	0.98	0.01	150	30	14B
EA21FC4-F	400	1A×2	Tc=135°C	30	1.25	0.02	150	30	14B
EA61FC2-F	200	3A×2	Tc=117°C	45	0.98	0.01	150	30	14B
ECU06A20-F	200	3A×2	Tc=115°C	45	1.10	0.02	150	25	14B
EA61FC4-F	400	3A×2	Tc=109°C	45	1.25	0.02	150	30	14B
ECU06A40-F	400	3A×2	Tc=103°C	45	1.55	0.02	150	30	14B
ECF06B60-F	600	3A×2	Tc=100°C	45	1.7	0.02	150	35	14B
ECU06B60-F	600	3A×2	Tc=77°C	35	2.7	0.02	150	27	14B

TO-220-2pin



GSF05A20	200	5	Tc=122°C	80	0.98	0.02	150	35	15
GSF05A40	400	5	Tc=118°C	80	1.25	0.03	150	45	15
GSF05B60	600	5	Tc=107°C	80	1.7	0.03	150	40	15
GSF10A20	200	10	Tc=100°C	120	1.03	0.025	150	35	15
GSF10A40	400	10	Tc=95°C	120	1.3	0.03	150	45	15

TO-220



GSF05A20B	200	5	Tc=122°C	80	0.98	0.02	150	35	16B
GSF05A40B	400	5	Tc=118°C	80	1.25	0.03	150	45	16B
GSF10A20B	200	10	Tc=100°C	120	1.03	0.025	150	35	16B
GSF10A40B	400	10	Tc=95°C	120	1.3	0.03	150	45	16B
GCF06A20	200	3A×2	Tc=123°C	60	0.98	0.01	150	30	16A
GCF06A40	400	3A×2	Tc=118°C	60	1.25	0.02	150	30	16A
GCF06B60	600	3A×2	Tc=110°C	60	1.7	0.02	150	35	16A
GCF10A20	200	5A×2	Tc=117°C	80	0.98	0.02	150	35	16A
GCF10A40	400	5A×2	Tc=112°C	80	1.25	0.03	150	45	16A

Fast Recovery Diode

Part Number	V _{RRM} (V)	I _{FAV} (A)	Condition	I _{FSM} (A)	V _{FM} (V) 25° C	I _{RM} (mA) 25° C	T _{jmax} (° C)	t _{rr} (ns)	Case Outline
-------------	----------------------	----------------------	-----------	----------------------	---------------------------	----------------------------	-------------------------	----------------------	--------------

TO-220F-2pin



New

FSF03D60	600	3	T _c =123°C	50	1.45	0.02	150	45	17
FSF03B60	600	3	T _c =119°C	60	1.7	0.02	150	35	17
FSF03UB60	600	3	T _c =119°C	60	1.7	0.02	150	35	17
FSF05A20	200	5	T _c =122°C	80	0.98	0.02	150	35	17
FSU05A20	200	5	T _c =122°C	100	1.10	0.02	150	27	17
FSU05A30	300	5	T _c =116°C	100	1.30	0.025	150	30	17
FSF05A40	400	5	T _c =118°C	80	1.25	0.03	150	45	17
FSU05A40	400	5	T _c =111°C	80	1.53	0.03	150	32	17
FSF05D60	600	5	T _c =123°C	80	1.47	0.02	150	65	17
FSF05B60	600	5	T _c =107°C	80	1.7	0.03	150	40	17
FSU05A60	600	5	T _c =95°C	70	2.3	0.03	150	35	17
FSU05B60	600	5	T _c =89°C	60	2.7	0.03	150	30	17
FSU08C60	600	8	T _c =54°C	80	3.2	0.01	150	35	17
FSF10A20	200	10	T _c =100°C	120	1.03	0.025	150	35	17
FSU10A20	200	10	T _c =101°C	120	1.13	0.025	150	32	17
FSU10A30	300	10	T _c =90°C	120	1.4	0.025	150	35	17
FSF10A40	400	10	T _c =95°C	120	1.3	0.03	150	45	17
FSU10A40	400	10	T _c =86°C	120	1.53	0.03	150	40	17
FSF10D60	600	10	T _c =123°C	120	1.5	0.03	150	75	17
FSF10B60	600	10	T _c =74°C	120	1.8	0.03	150	50	17
FSU10A60	600	10	T _c =60°C	110	2.3	0.03	150	45	17
FSU10U60	600	10	T _c =60°C	110	2.3	0.03	150	45	18
FSU10B60	600	10	T _c =50°C	100	2.7	0.03	150	40	17
FSU20A60	600	15	T _c =57°C	170	2.3	0.03	150	55	17
FSU20B60	600	15	T _c =51°C	160	2.6	0.03	150	50	17

TO-220F



FSF05A20B	200	5	T _c =122°C	80	0.98	0.02	150	35	19B
FSF05A40B	400	5	T _c =118°C	80	1.25	0.03	150	45	19B
FSF10A20B	200	10	T _c =100°C	120	1.03	0.025	150	35	19B
FSU10UC30B	300	10	T _c =96°C	120	1.30	0.025	150	33	20B
FSF10A40B	400	10	T _c =95°C	120	1.3	0.03	150	45	19B
FSF10B60B	600	10	T _c =74°C	120	1.8	0.03	150	50	19B

Continued on the following page.

Fast Recovery Diode

Part Number	V _{RRM} (V)	I _{FAV} (A)	Condition	I _{FSM} (A)	V _{FM} (V) 25° C	I _{RM} (mA) 25° C	T _{jmax} (° C)	t _{rr} (ns)	Case Outline
-------------	----------------------	----------------------	-----------	----------------------	---------------------------	----------------------------	-------------------------	----------------------	--------------

TO-220F

Continued from the preceding page



FCF06A20	200	3A×2	Tc=123°C	60	0.98	0.01	150	30	19A
FCF06A40	400	3A×2	Tc=118°C	60	1.25	0.02	150	30	19A
FCF06D60	600	3A×2	Tc=114°C	50	1.45	0.02	150	45	19A
FCF06B60	600	3A×2	Tc=110°C	60	1.7	0.02	150	35	19A
FCU06B60	600	3A×2	Tc=95°C	35	2.7	0.02	150	27	19A
FCU10UC16	160	5A×2	Tc=120°C	100	1.00	0.025	150	24	20A
FCF10A20	200	5A×2	Tc=117°C	80	0.98	0.02	150	35	19A
FRF10A20	200	5A×2 R	Tc=117°C	80	0.98	0.02	150	35	19C
FCU10A20	200	5A×2	Tc=116°C	100	1.1	0.02	150	27	19A
FCU10UC20	200	5A×2	Tc=118°C	100	1.08	0.025	150	25	20A
FCU10A30	300	5A×2	Tc=109°C	100	1.3	0.025	150	30	19A
FCU10UC30	300	5A×2	Tc=112°C	100	1.25	0.025	150	28	20A
FCF10A40	400	5A×2	Tc=112°C	80	1.25	0.03	150	45	19A
FCF10U40	400	5A×2	Tc=112°C	80	1.25	0.03	150	45	20A
FRF10A40	400	5A×2 R	Tc=112°C	80	1.25	0.03	150	45	19C
FCU10A40	400	5A×2	Tc=104°C	80	1.53	0.03	150	32	19A
FCU10UC40	400	5A×2	Tc=105°C	80	1.5	0.03	150	30	20A
FCF10D60	600	5A×2	Tc=104°C	80	1.47	0.02	150	65	19A
FCF10B60	600	5A×2	Tc=99°C	80	1.7	0.03	150	40	19A
FCU10A60	600	5A×2	Tc=84°C	70	2.3	0.03	150	35	19A
FCU10B60	600	5A×2	Tc=77°C	60	2.7	0.03	150	30	19A
FCF16A20	200	8A×2	Tc=113°C	120	0.98	0.025	150	35	19A
FCF16A40	400	8A×2	Tc=109°C	120	1.25	0.03	150	45	19A
FCU20UC16	160	10A×2	Tc=107°C	120	1.00	0.025	150	30	20A
FCU20A20	200	10A×2	Tc=101°C	120	1.13	0.025	150	32	19A
FCU20UC20	200	10A×2	Tc=104°C	120	1.08	0.025	150	31	20A
FCU20A30	300	10A×2	Tc=90°C	120	1.4	0.025	150	35	19A
FCU20UC30	300	10A×2	Tc=96°C	120	1.3	0.025	150	33	20A
FRU20UC30	300	10A×2 R	Tc=96°C	120	1.3	0.025	150	33	20C
FCU20A40	400	10A×2	Tc=86°C	120	1.53	0.03	150	40	19A
FCU20U40	400	10A×2	Tc=86°C	120	1.53	0.03	150	40	20A
FCF20D60	600	10A×2	Tc=84°C	120	1.5	0.03	150	75	19A
FCF20B60	600	10A×2	Tc=74°C	120	1.8	0.03	150	50	19A
FCU20A60	600	10A×2	Tc=60°C	110	2.3	0.03	150	45	19A
FCU20B60	600	10A×2	Tc=50°C	100	2.7	0.03	150	40	19A

FRF/FRU: Anode Common

Fast Recovery Diode

Part Number	V _{RRM} (V)	I _{FAV} (A)	Condition	I _{FSM} (A)	V _{FM} (V) 25° C	I _{RM} (mA) 25° C	T _{jmax} (° C)	t _{rr} (ns)	Case Outline
-------------	----------------------	----------------------	-----------	----------------------	---------------------------	----------------------------	-------------------------	----------------------	--------------

TO-262



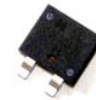
C10T20F-11A	200	5A×2	Tc=117°C	80	0.98	0.02	150	35	21
TCU10A30-11A	300	5A×2	Tc=109°C	100	1.3	0.025	150	30	21
TCF10A40-11A	400	5A×2	Tc=112°C	80	1.25	0.03	150	45	21
TCF10B60-11A	600	5A×2	Tc=99°C	80	1.7	0.03	150	40	21
TCU10A60-11A	600	5A×2	Tc=84°C	70	2.3	0.03	150	35	21
TCU10B60-11A	600	5A×2	Tc=77°C	60	2.7	0.03	150	30	21
C16T20F-11A	200	8A×2	Tc=113°C	120	0.98	0.025	150	35	21
C16T40F-11A	400	8A×2	Tc=109°C	120	1.25	0.03	150	45	21
TCU20A20-11A	200	10A×2	Tc=101°C	120	1.13	0.025	150	32	21
TCU20A30-11A	300	10A×2	Tc=90°C	120	1.4	0.025	150	35	21
TCF20B60-11A	600	10A×2	Tc=74°C	120	1.8	0.03	150	50	21
TCU20A60-11A	600	10A×2	Tc=60°C	110	2.3	0.03	150	45	21
TCU20B60-11A	600	10A×2	Tc=50°C	100	2.7	0.03	150	40	21

TO-262-2pin



TSF05A20-11A	200	5	Tc=122°C	80	0.98	0.03	150	35	22
TSF05A40-11A	400	5	Tc=118°C	80	1.25	0.03	150	45	22
TSF05B60-11A	600	5	Tc=107°C	80	1.7	0.03	150	40	22

TO-263LP



New	UCU20C16	160	10A×2	Tc=107°C	120	1.0	0.025	150	30	24
New	UCU20C20	200	10A×2	Tc=104°C	120	1.08	0.025	150	31	24
New	UCU20C30	300	10A×2	Tc=96°C	120	1.3	0.025	150	33	24
New	UCU20C40	400	10A×2	Tc=89°C	120	1.5	0.03	150	35	24

Fast Recovery Diode

Part Number	V _{RRM} (V)	I _{FAV} (A)	Condition	I _{FSM} (A)	V _{FM} (V) 25° C	I _{RM} (mA) 25° C	T _{jmax} (° C)	t _{rr} (ns)	Case Outline
-------------	----------------------	----------------------	-----------	----------------------	---------------------------	----------------------------	-------------------------	----------------------	--------------

TO-263



TSF05A20	200	5	Tc=122°C	80	0.98	0.03	150	35	23B
TSF05A40	400	5	Tc=118°C	80	1.25	0.03	150	45	23B
TSF05B60	600	5	Tc=107°C	80	1.7	0.03	150	40	23B
TSU05A60	600	5	Tc=95°C	70	2.3	0.03	150	35	23B
TSU05B60	600	5	Tc=89°C	60	2.7	0.03	150	30	23B
TSU10A60	600	10	Tc=60°C	110	2.3	0.03	150	45	23B
TSU10B60	600	10	Tc=60°C	100	2.7	0.03	150	40	23B
C10T20F	200	5A×2	Tc=117°C	80	0.98	0.02	150	35	23A
TCU10A20	200	5A×2	Tc=116°C	100	1.1	0.02	150	27	23A
TCU10A30	300	5A×2	Tc=109°C	100	1.3	0.025	150	30	23A
TCF10A40	400	5A×2	Tc=112°C	80	1.25	0.03	150	45	23A
TCU10A40	400	5A×2	Tc=104°C	80	1.53	0.03	150	32	23A
TCF10B60	600	5A×2	Tc=99°C	80	1.7	0.03	150	40	23A
TCU10A60	600	5A×2	Tc=84°C	70	2.3	0.03	150	35	23A
TCU10B60	600	5A×2	Tc=77°C	60	2.7	0.03	150	30	23A
C16T20F	200	8A×2	Tc=113°C	120	0.98	0.025	150	35	23A
C16T40F	400	8A×2	Tc=109°C	120	1.25	0.03	150	45	23A
TCU20A20	200	10A×2	Tc=101°C	120	1.13	0.025	150	32	23A
TCU20A30	300	10A×2	Tc=90°C	120	1.4	0.025	150	35	23A
TCU20A40	400	10A×2	Tc=86°C	120	1.53	0.03	150	40	23A
TCF20B60	600	10A×2	Tc=74°C	120	1.8	0.03	150	50	23A
TCU20A60	600	10A×2	Tc=60°C	110	2.3	0.03	150	45	23A
TCU20B60	600	10A×2	Tc=50°C	100	2.7	0.03	150	40	23A

Fast Recovery Diode

Part Number	V _{RRM} (V)	I _{FAV} (A)	Condition	I _{FSM} (A)	V _{FM} (V) 25° C	I _{RM} (mA) 25° C	T _{jmax} (° C)	t _{rr} (ns)	Case Outline
-------------	----------------------	----------------------	-----------	----------------------	---------------------------	----------------------------	-------------------------	----------------------	--------------

TO-247



KSF25A120B	1200	25	T _c =32°C	400	2.5	5	150	200	26B
KSF30A20B	200	30	T _c =101°C	400	0.98	0.025	150	50	26B
KSU30A30B	300	30	T _c =89°C	400	1.33	0.05	150	45	26B
KSF30A40B	400	30	T _c =90°C	400	1.25	0.05	150	60	26B
KSF30A60B	600	30	T _c =64°C	400	1.7	0.05	150	60	26B
KSF60A60B	600	60	T _c =57°C	600	1.7	0.05	150	75	26B
KCF16A20	200	8A×2	T _c =113°C	120	0.98	0.025	150	35	26A
KCF16A40	400	8A×2	T _c =109°C	120	1.25	0.03	150	45	26A
KCU20A20	200	10A×2	T _c =101°C	120	1.13	0.025	150	32	26A
KCU20A30	300	10A×2	T _c =90°C	120	1.4	0.025	150	35	26A
KCU20A40	400	10A×2	T _c =86°C	120	1.53	0.03	150	40	26A
KCU20C40	400	10A×2	T _c =89°C	120	1.50	0.03	150	35	26A
KCF20B60	600	10A×2	T _c =74°C	120	1.8	0.03	150	50	26A
KCU20A60	600	10A×2	T _c =60°C	110	2.3	0.03	150	45	26A
KCU20B60	600	10A×2	T _c =50°C	100	2.7	0.03	150	40	26A
KCF25A20	200	12.5A×2	T _c =93°C	150	0.98	0.025	150	50	26A
KCF25A40	400	12.5A×2	T _c =85°C	200	1.25	0.05	150	60	26A
KCU30A20	200	15A×2	T _c =73°C	150	1.13	0.025	150	38	26A
KCU30A30	300	15A×2	T _c =64°C	150	1.3	0.025	150	38	26A
KCU30A40	400	15A×2	T _c =51°C	150	1.57	0.03	150	45	26A

Modified TO-247



KSF30A20E	200	30	T _c =101°C	400	0.98	0.025	150	50	27
KSF30A40E	400	30	T _c =90°C	400	1.25	0.05	150	60	27
KSF30A60E	600	30	T _c =64°C	400	1.7	0.05	150	60	27

Schottky Barrier Diode

Part Number	V _{RRM} (V)	I _{FAV} (A)	Condition	I _{FSM} (A)	V _{FM} (V) 25° C	I _{RM} (mA) 25° C	T _{jmax} (° C)	Case Outline
-------------	----------------------	----------------------	-----------	----------------------	---------------------------	----------------------------	-------------------------	--------------

Axial



11EQS03L	30	1	Ta=55°C	40	0.45	1	150	1
11EQS04	40	1	Ta=48°C	40	0.55	1	150	1
11EQS06	60	1	Ta=29°C	25	0.58	1	150	1
11EQS10	100	1	Ta=53°C	40	0.85	0.5	150	1
10EHA20	200	1	Ta=40°C	20	0.90	0.2	150	1
11EQ04	40	1	Ta=53°C	40	0.55	1	150	2
11EQ06	60	1	Ta=33°C	25	0.58	1	150	2
11EQ10	100	1	Ta=57°C	40	0.85	0.5	150	2
11DQ03L	30	1	Ta=74°C	40	0.45	1	150	3
11DQ04	40	1	Ta=73°C	40	0.55	1	150	3
11DQ06	60	1	Ta=54°C	25	0.58	1	150	3
11DQ10	100	1	Ta=78°C	40	0.85	0.5	150	3
21DQ03L	30	1.7	Ta=30°C	50	0.45	2	150	4
21DQ04	40	1.7	Ta=35°C	80	0.55	1	150	4
21DQ06	60	1.7	Ta=25°C	45	0.58	2	150	4
21DQ10	100	1.7	Ta=43°C	70	0.85	1	150	4
20KHA20	200	2	Tl=115°C	40	0.90	0.2	150	4
31DQ03L	30	3	Ta=53°C	120	0.45	3	150	6
31DQ04	40	3	Ta=53°C	120	0.55	3	150	6
31DQ06	60	3	Ta=43°C	75	0.58	3	150	6
31DQ10	100	3	Ta=59°C	100	0.85	1	150	6
30PHA20	200	3	Tl=125°C	60	0.90	0.2	150	6
New 50PQSA045	45	5	Tl=121°C	150	0.55	0.35	150	6
New 50PQSA065	65	5	Tl=114°C	150	0.61	0.4	150	6
New 50PHSA08	80	5	Tl=116°C	120	0.70	0.1	150	6
New 50PHSA12	120	5	Tl=114°C	120	0.86	0.1	150	6

SOD-323FL



SA10QA03	30	1	Tl=124°C	20	0.45	0.1	150	7
SA10LA03	30	1	Tl=91°C	20	0.37	1.5	125	7
SA10QA04	40	1	Tl=120°C	20	0.52	0.1	150	7
SA10QA06	60	1	Tl=117°C	20	0.58	0.1	150	7

SOD-123



EP05Q03L	30	0.5	Tl=106°C	8	0.45	0.2	150	8
EP05Q04	40	0.5	Tl=110°C	8	0.51	0.1	150	8
EP05Q06	60	0.5	Tl=96°C	8	0.62	0.1	150	8
EP05H10	100	0.5	Tl=118°C	8	0.80	0.05	150	8
EP10LA03	30	1	Tl=100°C	12	0.39	2	125	8
EP10QY03	30	1	Tl=125°C	12	0.47	1	150	8
EP10HY03	30	1	Tl=120°C	12	0.56	0.5	150	8
EP10QY04	40	1	Tl=117°C	12	0.57	1	150	8

Schottky Barrier Diode

Part Number	V _{RRM} (V)	I _{FAV} (A)	Condition	I _{FSM} (A)	V _{FM} (V) 25° C	I _{RM} (mA) 25° C	T _{jmax} (° C)	Case Outline
-------------	----------------------	----------------------	-----------	----------------------	---------------------------	----------------------------	-------------------------	--------------

SMA



	EC10LA03	30	1	Ta=88°C	25	0.39	2	125	9
	EC10QS03L	30	1	Ta=58°C	20	0.45	1	150	9
	EC10QS04	40	1	Ta=53°C	20	0.55	1	150	9
	EC10QS06	60	1	Ta=30°C	20	0.58	1	150	9
	EC10QS10	100	1	Ta=52°C	20	0.85	0.5	150	9
	EC21QS03L	30	2	Tl=98°C	50	0.47	2	150	9
New	EC20QSA035	35	2	Tl=117°C	40	0.49	1	150	9
	EC21QS04	40	2	Tl=103°C	60	0.55	1	150	9
	EC20QSA045	45	2	Tl=118°C	50	0.55	0.2	150	9
	EC21QS06	60	2	Tl=90°C	40	0.61	2	150	9
	EC20QSA065	65	2	Tl=114°C	50	0.61	0.2	150	9
	EC21QS10	100	2	Tl=106°C	50	0.85	1	150	9
	EC30LA02	20	3	Tl=85°C	50	0.39	3	125	9
	EC30LB02	20	3	Tl=102°C	80	0.41	1	125	9
	EC31QS03L	30	3	Tl=76°C	60	0.45	3	150	9
	EC30HA03L	30	3	Tl=102°C	60	0.54	0.5	150	9
New	EC30QSA035	35	3	Tl=103°C	60	0.47	2	150	9
	EC31QS04	40	3	Tl=81°C	60	0.55	3	150	9
	EC30QSA045	45	3	Tl=102°C	60	0.55	0.3	150	9
	EC30HA04	40	3	Tl=96°C	60	0.59	0.5	150	9
	EC31QS06	60	3	Tl=64°C	50	0.61	3	150	9
New	EC30QSA065	65	3	Tl=92°C	60	0.61	0.3	150	9
	EC31QS10	100	3	Tl=84°C	60	0.85	2	150	9

Schottky Barrier Diode

Part Number	V _{RRM} (V)	I _{FAV} (A)	Condition	I _{FSM} (A)	V _{FM} (V) 25° C	I _{RM} (mA) 25° C	T _{jmax} (° C)	Case Outline
-------------	----------------------	----------------------	-----------	----------------------	---------------------------	----------------------------	-------------------------	--------------

NA



	NA03QSA035	35	3	TI=124°C	60	0.47	2	150	10
	NA03QSA045	45	3	TI=122°C	60	0.55	0.2	150	10
	NA03QSA065	65	3	TI=117°C	60	0.61	0.3	150	10
New	NA03HSA08	80	3	TI=118°C	80	0.7	0.1	150	10
New	NA03HSA12	120	3	TI=115°C	60	0.86	0.07	150	10
	NA05QSA035	35	5	TI=108°C	100	0.47	3	150	10
	NA05QSA045	45	5	TI=101°C	100	0.57	0.35	150	10
	NA05QSA065	65	5	TI=92°C	100	0.61	0.4	150	10
New	NA05HSA065	65	5	TI=99°C	120	0.66	0.1	150	10
New	NA05HSA08	80	5	TI=95°C	120	0.7	0.1	150	10
New	NA05HSA12	120	5	TI=91°C	100	0.86	0.1	150	10

NB



	NB06QSA035	35	3A×2	TI=122°C	60	0.47	2	150	11
	NB06QSA045	45	3A×2	TI=120°C	60	0.55	0.2	150	11
	NB06QSA065	65	3A×2	TI=115°C	60	0.61	0.3	150	11
New	NB06HSA12	120	3A×2	TI=113°C	60	0.86	0.07	150	11
	NB10QSA035	35	5A×2	TI=105°C	100	0.47	3	150	11
	NB10QSA045	45	5A×2	TI=98°C	100	0.57	0.35	150	11
	NB10QSA065	65	5A×2	TI=88°C	100	0.61	0.4	150	11
New	NB10HSA12	120	5A×2	TI=87°C	100	0.86	0.1	150	11

Schottky Barrier Diode

Part Number	V _{RRM} (V)	I _{FAV} (A)	Condition	I _{FSM} (A)	V _{FM} (V) 25° C	I _{RM} (mA) 25° C	T _{jmax} (° C)	Case Outline
-------------	----------------------	----------------------	-----------	----------------------	---------------------------	----------------------------	-------------------------	--------------

Narrow SMC



NSQ03A03L	30	3	TI=103°C	100	0.45	3	150	12
NSH03A03L	30	3	TI=123°C	80	0.53	0.5	150	12
NSQ03A04	40	3	TI=110°C	80	0.55	3	150	12
NSH03A04	40	3	TI=120°C	80	0.58	0.5	150	12
NSQ03A06	60	3	TI=96°C	50	0.58	3	150	12
NSH03A10	100	3	TI=112°C	60	0.85	1	150	12
NSH03A15	150	3	TI=109°C	60	0.90	1	150	12
NSH05A03	30	5	TI=106°C	100	0.57	1	150	12

TO-251



EA20QS04	40	1.7	Tc=138°C	40	0.55	2	150	13A
EA20QS06	60	1.7	Tc=135°C	40	0.58	2	150	13A
EA20QS10	100	1.7	Tc=138°C	40	0.85	1	150	13A
ESL03B03	30	3	Tc=82°C	45	0.47	3	100	13A
EA30QS03L	30	3	Tc=126°C	45	0.45	3	150	13A
EA30QS04	40	3	Tc=131°C	45	0.55	3	150	13A
EA30QS06	60	3	Tc=123°C	45	0.58	3	150	13A
EA30QS10	100	3	Tc=133°C	45	0.85	1	150	13A
ESH05A15	150	5	Tc=125°C	130	0.88	1	150	13C
EA20QC04	40	1A×2	Tc=137°C	20	0.55	1	150	13B
EA20QC06	60	1A×2	Tc=135°C	20	0.58	1	150	13B
EA20QC10	100	1A×2	Tc=138°C	20	0.85	0.5	150	13B
EA40QC04	40	2A×2	Tc=129°C	40	0.55	2	150	13B
EA40QC06	60	2A×2	Tc=122°C	40	0.60	2	150	13B
EA40QC10	100	2A×2	Tc=129°C	40	0.85	1	150	13B
EA60QC03L	30	3A×2	Tc=111°C	45	0.45	3	150	13B
ECL06B03	30	3A×2	Tc=70°C	45	0.47	3	100	13B
EA60QC04	40	3A×2	Tc=118°C	45	0.55	3	150	13B
EA60QC06	60	3A×2	Tc=104°C	45	0.58	3	150	13B
EA60QC10	100	3A×2	Tc=122°C	45	0.85	1	150	13B
ECH06A20	200	3A×2	Tc=116°C	60	0.9	0.2	150	13B

Schottky Barrier Diode

Part Number	V _{RRM} (V)	I _{FAV} (A)	Condition	I _{FSM} (A)	V _{FM} (V) 25° C	I _{RM} (mA) 25° C	T _{jmax} (° C)	Case Outline
-------------	----------------------	----------------------	-----------	----------------------	---------------------------	----------------------------	-------------------------	--------------

Dpak (TO-252)



EA20QS04-F	40	1.7	Tc=138°C	40	0.55	2	150	14A
EA20QS06-F	60	1.7	Tc=135°C	40	0.58	2	150	14A
EA20QS10-F	100	1.7	Tc=138°C	40	0.85	1	150	14A
ESL03B03-F	30	3	Tc=82°C	45	0.47	3	100	14A
EA30QS03L-F	30	3	Tc=126°C	45	0.45	3	150	14A
EA30QS04-F	40	3	Tc=131°C	45	0.55	3	150	14A
EA30QS06-F	60	3	Tc=123°C	45	0.58	3	150	14A
EA30QS10-F	100	3	Tc=133°C	45	0.85	1	150	14A
ESH05A15-F	150	5	Tc=125°C	130	0.88	1	150	14C
EA20QC04-F	40	1A×2	Tc=137°C	20	0.55	1	150	14B
EA20QC06-F	60	1A×2	Tc=135°C	20	0.58	1	150	14B
EA20QC10-F	100	1A×2	Tc=138°C	20	0.85	0.5	150	14B
EA40QC04-F	40	2A×2	Tc=129°C	40	0.55	2	150	14B
EA40QC06-F	60	2A×2	Tc=122°C	40	0.60	2	150	14B
EA40QC10-F	100	2A×2	Tc=129°C	40	0.85	1	150	14B
ECL06B03-F	30	3A×2	Tc=70°C	45	0.47	3	100	14B
EA60QC03L-F	30	3A×2	Tc=111°C	45	0.45	3	125	14B
EA60QC04-F	40	3A×2	Tc=118°C	45	0.55	3	150	14B
EA60QC06-F	60	3A×2	Tc=104°C	45	0.58	3	150	14B
EA60QC10-F	100	3A×2	Tc=122°C	45	0.85	1	150	14B
ECH06A20-F	200	3A×2	Tc=116°C	60	0.90	0.2	150	14B
ECQ10A03L-F	30	5A×2	Tc=106°C	100	0.47	5	150	14B
ECQ10A04-F	40	5A×2	Tc=105°C	100	0.55	3	150	14B

Schottky Barrier Diode

Part Number	V _{RRM} (V)	I _{FAV} (A)	Condition	I _{FSM} (A)	V _{FM} (V) 25° C	I _{RM} (mA) 25° C	T _{jmax} (° C)	Case Outline
-------------	----------------------	----------------------	-----------	----------------------	---------------------------	----------------------------	-------------------------	--------------

TO-220-2pin



GSQ05A03L	30	5	Tc=122°C	120	0.47	5	150	15
GSQ05A04	40	5	Tc=122°C	120	0.55	5	150	15
GSQ05A06	60	5	Tc=115°C	110	0.58	5	150	15
GSH05A10	100	5	Tc=126°C	120	0.85	1	150	15
GSQ10A04	40	10	Tc=119°C	180	0.59	10	150	15
GSQ10A06	60	10	Tc=111°C	150	0.67	10	150	15
GSH10A10	100	10	Tc=120°C	180	0.88	1	150	15

TO-220



GSQ05A03LB	30	5	Tc=122°C	120	0.47	5	150	16B
GSQ05A04B	40	5	Tc=122°C	120	0.55	5	150	16B
GSQ05A06B	60	5	Tc=115°C	110	0.58	5	150	16B
GSH05A10B	100	5	Tc=126°C	120	0.85	1	150	16B
GSQ10A04B	40	10	Tc=119°C	180	0.59	10	150	16B
GSQ10A06B	60	10	Tc=111°C	150	0.67	10	150	16B
GSH10A10B	100	10	Tc=120°C	180	0.88	1	150	16B
GQC10A04	40	5A×2	Tc=116°C	120	0.55	5	150	16A
GQC10A06	60	5A×2	Tc=108°C	110	0.58	5	150	16A
GCH10A10	100	5A×2	Tc=121°C	120	0.85	1	150	16A
GQC20A03L	30	10A×2	Tc=119°C	180	0.49	10	150	16A
GQC20A04	40	10A×2	Tc=119°C	180	0.55	10	150	16A
GQC20A06	60	10A×2	Tc=111°C	150	0.65	10	150	16A
GCHS20A08	80	10A×2	Tc=116°C	180	0.75	0.15	150	16A
GCH20A10	100	10A×2	Tc=120°C	180	0.88	1	150	16A
GQC30A03L	30	15A×2	Tc=105°C	250	0.49	15	150	16A
GQC30A04	40	15A×2	Tc=104°C	250	0.55	15	150	16A
GQC30A06	60	15A×2	Tc=94°C	200	0.65	15	150	16A
GCHS30A08	80	15A×2	Tc=109°C	200	0.75	0.2	150	16A
GCH30A10	100	15A×2	Tc=105°C	250	0.88	2	150	16A

Schottky Barrier Diode

Part Number	V _{RRM} (V)	I _{FAV} (A)	Condition	I _{FSM} (A)	V _{FM} (V) 25° C	I _{RM} (mA) 25° C	T _{jmax} (° C)	Case Outline
-------------	----------------------	----------------------	-----------	----------------------	---------------------------	----------------------------	-------------------------	--------------

TO-220F-2pin



*	FSH04A03L	30	4	Tc=132°C	100	0.56	1	150	17
New	FSQS04A035	35	4	Tc=134°C	100	0.49	2	150	17
*	FSH04A04	40	4	Tc=131°C	100	0.61	1	150	17
New	FSQS04A045	45	4	Tc=132°C	100	0.56	0.2	150	17
New	FSHS04A045	45	4	Tc=133°C	100	0.59	0.1	150	17
*	FSH04A06	60	4	Tc=129°C	100	0.69	1	150	17
New	FSQS04A065	65	4	Tc=130°C	100	0.64	0.3	150	17
New	FSHS04A065	65	4	Tc=131°C	100	0.68	0.1	150	17
	FSHS04A08	80	4	Tc=130°C	100	0.74	0.1	150	17
	FSH04A10	100	4	Tc=126°C	100	0.88	1	150	17
New	FSHS04A12	120	4	Tc=129°C	100	0.89	0.1	150	17
	FSL05A015	15	5	Tc=103°C	130	0.38	5	125	17
*	FSQ05A03L	30	5	Tc=122°C	120	0.47	5	150	17
New	FSQS05A035	35	5	Tc=134°C	120	0.46	5	150	17
	FSH05A03L	30	5	Tc=132°C	120	0.57	1	150	17
*	FSQ05A04	40	5	Tc=122°C	120	0.55	5	150	17
New	FSQS05A045	45	5	Tc=133°C	120	0.54	0.35	150	17
*	FSH05A04	40	5	Tc=131°C	120	0.61	1	150	17
New	FSHS05A045	45	5	Tc=133°C	120	0.57	0.1	150	17
*	FSQ05A06	60	5	Tc=115°C	110	0.58	5	150	17
New	FSQS05A065	65	5	Tc=131°C	120	0.58	0.4	150	17
*	FSQ05U06	60	5	Tc=115°C	110	0.58	5	150	18
*	FSH05A06	60	5	Tc=129°C	120	0.66	1	150	17
New	FSHS05A065	65	5	Tc=131°C	120	0.63	0.1	150	17
New	FSHS05A08	80	5	Tc=130°C	120	0.69	0.1	150	17
	FSH05A10	100	5	Tc=126°C	120	0.85	1	150	17
New	FSHS05A12	120	5	Tc=129°C	120	0.84	0.1	150	17
	FSH05A15	150	5	Tc=125°C	130	0.88	1	150	17
	FSH10A03L	30	10	Tc=128°C	180	0.54	1	150	17
*	FSQ10A04	40	10	Tc=119°C	180	0.59	10	150	17
New	FSQS10A045	45	10	Tc=128°C	180	0.54	0.6	150	17
*	FSQ10U04	40	10	Tc=119°C	180	0.59	10	150	18
*	FSH10A04	40	10	Tc=127°C	180	0.61	1	150	17
New	FSHS10A045	45	10	Tc=128°C	180	0.58	0.1	150	17
*	FSH10U04	40	10	Tc=127°C	180	0.61	1	150	18
*	FSQ10A06	60	10	Tc=111°C	150	0.67	10	150	17
New	FSQS10A065	65	10	Tc=125°C	180	0.60	1	150	17
*	FSQ10U06	60	10	Tc=111°C	150	0.67	10	150	18
*	FSH10A06	60	10	Tc=124°C	180	0.68	1	150	17
New	FSHS10A065	65	10	Tc=127°C	180	0.64	0.15	150	17
New	FSHS10A08	80	10	Tc=125°C	180	0.71	0.15	150	17
	FSH10A10	100	10	Tc=120°C	180	0.88	1	150	17
*	FSH10U10	100	10	Tc=120°C	180	0.88	1	150	18
New	FSHS10A12	120	10	Tc=123°C	180	0.87	0.1	150	17
	FSH10A15	150	10	Tc=120°C	180	0.90	1	150	17
	FSQS15A045	45	15	Tc=118°C	200	0.54	1	150	17
New	FSHS15A045	45	15	Tc=117°C	250	0.58	0.2	150	17
New	FSQS15A065	65	15	Tc=112°C	200	0.60	1.5	150	17
New	FSHS15A08	80	15	Tc=112°C	200	0.72	0.2	150	17
New	FSHS15A12	120	15	Tc=110°C	200	0.88	0.1	150	17

* Discontinue

Schottky Barrier Diode

Part Number	V _{RRM} (V)	I _{FAV} (A)	Condition	I _{FSM} (A)	V _{FM} (V) 25° C	I _{RM} (mA) 25° C	T _{jmax} (° C)	Case Outline
-------------	----------------------	----------------------	-----------	----------------------	---------------------------	----------------------------	-------------------------	--------------

TO-220F



FSH04A03LB	30	4	Tc=132°C	100	0.56	1	150	19B
FSH04A04B	40	4	Tc=131°C	100	0.61	1	150	19B
FSH04A06B	60	4	Tc=129°C	100	0.69	1	150	19B
FSH04A10B	100	4	Tc=126°C	100	0.88	1	150	19B
FSQ05A03LB	30	5	Tc=122°C	120	0.47	5	150	19B
FSH05A03LB	30	5	Tc=132°C	120	0.57	1	150	19B
FSQ05A04B	40	5	Tc=122°C	120	0.55	5	150	19B
FSH05A04B	40	5	Tc=131°C	120	0.61	1	150	19B
FSQ05A06B	60	5	Tc=115°C	110	0.58	5	150	19B
FSH05A06B	60	5	Tc=129°C	120	0.66	1	150	19B
FSH05A10B	100	5	Tc=126°C	120	0.85	1	150	19B
FSH05A20B	200	5	Tc=123°C	100	0.90	0.2	150	19B
FSH10A03LB	30	10	Tc=128°C	180	0.54	1	150	19B
FSQ10A04B	40	10	Tc=119°C	180	0.59	10	150	19B
FSH10A04B	40	10	Tc=127°C	180	0.61	1	150	19B
FSQ10A06B	60	10	Tc=111°C	150	0.67	10	150	19B
FSH10A06B	60	10	Tc=124°C	180	0.68	1	150	19B
FSH10A10B	100	10	Tc=120°C	180	0.88	1	150	19B
FSH10A20B	200	10	Tc=108°C	120	0.90	0.2	150	19B
FCH05A10	100	2.5×2	Tc=127°C	100	0.87	1	150	19A
FCQ06A04	40	3A×2	Tc=118°C	80	0.55	2	150	19A
FCQ06A06	60	3A×2	Tc=104°C	80	0.62	2	150	19A
FCQ06U06	60	3A×2	Tc=104°C	80	0.62	2	150	20A
FCH06A10	100	3A×2	Tc=121°C	80	0.85	1	150	19A
* FCQ08A03L	30	4A×2	Tc=123°C	100	0.49	3	150	19A
* FCH08A03L	30	4A×2	Tc=133°C	100	0.56	1	150	19A
New FCQS08A035	35	4A×2	Tc=134°C	100	0.49	2	150	19A
* FCQ08A04	40	4A×2	Tc=126°C	100	0.55	3	150	19A
* FCH08A04	40	4A×2	Tc=131°C	100	0.61	1	150	19A
New FCQS08A045	45	4A×2	Tc=132°C	100	0.56	0.2	150	19A
New FCHS08A045	45	4A×2	Tc=133°C	100	0.59	0.1	150	19A
* FCQ08A06	60	4A×2	Tc=117°C	75	0.65	3	150	19A
* FCQ08U06	60	4A×2	Tc=117°C	75	0.65	3	150	20A
* FCH08A06	60	4A×2	Tc=130°C	100	0.69	1	150	19A
New FCQS08A065	65	4A×2	Tc=130°C	75	0.64	0.3	150	19A
New FCHS08A065	65	4A×2	Tc=131°C	100	0.68	0.1	150	19A

* Discontinue

Continued on the following page.

Schottky Barrier Diode

Part Number	V _{RRM} (V)	I _{FAV} (A)	Condition	I _{FSM} (A)	V _{FM} (V) 25° C	I _{RM} (mA) 25° C	T _{jmax} (° C)	Case Outline
-------------	----------------------	----------------------	-----------	----------------------	---------------------------	----------------------------	-------------------------	--------------

TO-220F

Continued from the preceding page



	FCHS08A08	80	4A×2	T _c =130°C	100	0.74	0.1	150	19A
	FCH08A10	100	4A×2	T _c =127°C	100	0.88	1	150	19A
	FCH08U10	100	4A×2	T _c =127°C	100	0.88	1	150	20A
New	FCHS08A12	120	4A×2	T _c =129°C	100	0.89	0.1	150	19A
	FCH08A15	150	4A×2	T _c =127°C	125	0.90	1	150	19A
	FRH08A15	150	4A×2 R	T _c =127°C	125	0.90	1	150	19C
	FCL10A015	15	5A×2	T _c =99°C	130	0.38	5	125	19A
*	FCQ10A03L	30	5A×2	T _c =116°C	120	0.47	5	150	19A
*	FRQ10A03L	30	5A×2 R	T _c =116°C	120	0.47	5	150	19C
New	FRQS10A035	35	5A×2 R	T _c =131°C	120	0.46	3	150	19C
	FCH10A03L	30	5A×2	T _c =129°C	120	0.57	1	150	19A
New	FCQS10A035	35	5A×2	T _c =131°C	120	0.46	3	150	19A
*	FCQ10A04	40	5A×2	T _c =116°C	120	0.55	5	150	19A
*	FCQ10U04	40	5A×2	T _c =116°C	120	0.55	5	150	20A
*	FRQ10A04	40	5A×2 R	T _c =116°C	120	0.55	5	150	19C
New	FRQS10A045	45	5A×2 R	T _c =130°C	120	0.54	0.35	150	19C
*	FCH10A04	40	5A×2	T _c =128°C	120	0.61	1	150	19A
*	FRH10A04	40	5A×2 R	T _c =128°C	120	0.61	1	150	19C
New	FRHS10A045	45	5A×2 R	T _c =130°C	120	0.57	0.1	150	19C
	FCQS10A045	45	5A×2	T _c =130°C	120	0.54	0.35	150	19A
New	FCHS10A045	45	5A×2	T _c =130°C	120	0.57	0.1	150	19A
*	FCQ10A06	60	5A×2	T _c =108°C	110	0.58	5	150	19A
*	FCQ10U06	60	5A×2	T _c =108°C	110	0.58	5	150	20A
*	FRQ10A06	60	5A×2 R	T _c =108°C	110	0.58	5	150	19C
New	FRQS10A065	65	5A×2 R	T _c =127°C	120	0.58	0.4	150	19C
*	FCH10A06	60	5A×2	T _c =125°C	120	0.66	1	150	19A
*	FCH10U06	60	5A×2	T _c =108°C	120	0.66	1	150	20A
	FCQS10A065	65	5A×2	T _c =127°C	120	0.58	0.4	150	19A
	FCHS10A065	65	5A×2	T _c =128°C	120	0.63	0.1	150	19A
	FCHS10A08	80	5A×2	T _c =126°C	120	0.69	0.1	150	19A
	FCH10A10	100	5A×2	T _c =121°C	120	0.85	1	150	19A
	FCH10U10	100	5A×2	T _c =121°C	120	0.85	1	150	20A
	FRH10A10	100	5A×2 R	T _c =122°C	120	0.85	1	150	19C
New	FRHS10A12	120	5A×2 R	T _c =125°C	120	0.84	0.1	150	19C
	FCHS10A12	120	5A×2	T _c =125°C	120	0.84	0.1	150	19A
	FCH10A15	150	5A×2	T _c =121°C	130	0.88	1	150	19A
	FCH10U15	150	5A×2	T _c =121°C	130	0.88	1	150	20A
	FRH10A15	150	5A×2 R	T _c =121°C	130	0.88	1	150	19C
	FCH10A20	200	5A×2	T _c =118°C	100	0.90	0.2	150	19A
	FCH10U20	200	5A×2	T _c =118°C	100	0.90	0.2	150	20A
	FRH10A20	200	5A×2 R	T _c =118°C	100	0.90	0.2	150	19C

FRQ/FRH: Anode Common

* Discontinue

Continued on the following page.

Schottky Barrier Diode

Part Number	V _{RRM} (V)	I _{FAV} (A)	Condition	I _{FSM} (A)	V _{FM} (V) 25° C	I _{RM} (mA) 25° C	T _{jmax} (° C)	Case Outline
-------------	----------------------	----------------------	-----------	----------------------	---------------------------	----------------------------	-------------------------	--------------

TO-220F

Continued from the preceding page



	FCL20A015	15	10A×2	T _c =96°C	180	0.40	10	125	19A
	FCQ20A03L	30	10A×2	T _c =119°C	180	0.49	10	150	19A
	FCQ20C03	30	10A×2	T _c =104°C	180	0.51	10	150	19A
	FCH20A03L	30	10A×2	T _c =128°C	180	0.54	1	150	19A
	FCH20B03	30	10A×2	T _c =115°C	180	0.57	1	150	19A
*	FCQ20A04	40	10A×2	T _c =119°C	180	0.55	10	150	19A
*	FCQ20B04	40	10A×2	T _c =104°C	180	0.60	10	150	19A
*	FCH20A04	40	10A×2	T _c =127°C	180	0.61	1	150	19A
*	FCH20B04	40	10A×2	T _c =113°C	180	0.65	1	150	19A
*	FCQ20U04	40	10A×2	T _c =119°C	180	0.55	10	150	20A
	FCQS20A045	45	10A×2	T _c =122°C	180	0.54	0.6	150	19A
	FRQS20A045	45	10A×2 R	T _c =122°C	180	0.54	0.6	150	19C
*	FCQS20B045	45	10A×2	T _c =121°C	180	0.57	0.6	150	19A
New	FCHS20A045	45	10A×2	T _c =120°C	180	0.58	0.1	150	19A
*	FCQ20A06	60	10A×2	T _c =111°C	150	0.65	10	150	19A
*	FCQ20U06	60	10A×2	T _c =111°C	150	0.65	10	150	20A
*	FRQ20U06	60	10A×2 R	T _c =111°C	150	0.65	10	150	20C
*	FCQ20UB06	60	10A×2	T _c =88°C	150	0.69	10	150	20A
*	FCH20A06	60	10A×2	T _c =124°C	180	0.68	1	150	19A
*	FCH20B06	60	10A×2	T _c =110°C	180	0.73	1	150	19A
	FCQS20A065	65	10A×2	T _c =125°C	180	0.60	1	150	19A
	FRQS20A065	65	10A×2 R	T _c =117°C	180	0.60	1	150	19C
*	FCQS20B065	65	10A×2	T _c =115°C	180	0.63	1	150	19A
New	FCHS20A065	65	10A×2	T _c =120°C	180	0.64	0.15	150	19A
	FCHS20A08	80	10A×2	T _c =117°C	180	0.71	0.15	150	19A
	FCHS20U08	80	10A×2	T _c =116°C	180	0.75	0.15	150	20A
	FCH20A10	100	10A×2	T _c =120°C	180	0.88	1	150	19A
	FCH20U10	100	10A×2	T _c =120°C	180	0.88	1	150	20A
	FRH20A10	100	10A×2 R	T _c =120°C	180	0.88	1	150	19C
	FCH20B10	100	10A×2	T _c =105°C	180	0.91	1	150	19A
	FCH20UB10	100	10A×2	T _c =105°C	180	0.91	1	150	20A
	FCHS20A12	120	10A×2	T _c =123°C	180	0.87	0.1	150	19A
New	FRHS20A12	120	10A×2	T _c =114°C	180	0.87	0.1	150	19A
	FCH20A15	150	10A×2	T _c =121°C	180	0.90	1	150	19A
	FCH20U15	150	10A×2	T _c =121°C	180	0.90	1	150	20A
	FRH20A15	150	10A×2 R	T _c =120°C	180	0.90	1	150	19C
	FCH20A20	200	10A×2	T _c =118°C	120	0.90	0.2	150	19A
	FCH20U20	200	10A×2	T _c =118°C	120	0.90	0.2	150	20A
	FRH20A20	200	10A×2 R	T _c =118°C	180	0.90	0.2	150	19C

FRQ/FRH: Anode Common

Continued on the following page.

* Discontinue

Schottky Barrier Diode

Part Number	V _{RRM} (V)	I _{FAV} (A)	Condition	I _{FSM} (A)	V _{FM} (V) 25° C	I _{RM} (mA) 25° C	T _{jmax} (° C)	Case Outline
-------------	----------------------	----------------------	-----------	----------------------	---------------------------	----------------------------	-------------------------	--------------

TO-220F

Continued from the preceding page



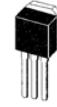
	FCL30A015	15	15A×2	T _c =78°C	250	0.42	15	125	19A
	FCQ30A03L	30	15A×2	T _c =105°C	250	0.49	15	150	19A
	FCH30A03L	30	15A×2	T _c =114°C	250	0.56	1	150	19A
	FCH30B03L	30	15A×2	T _c =114°C	150	0.59	1	150	19A
*	FCQ30A04	40	15A×2	T _c =104°C	250	0.55	15	150	19A
*	FCQ30U04	40	15A×2	T _c =104°C	250	0.55	15	150	20A
New	FCQS30A045	45	15A×2	T _c =118°C	200	0.54	1	150	19A
*	FCH30A04	40	15A×2	T _c =114°C	250	0.61	1	150	19A
New	FCHS30A045	45	15A×2	T _c =117°C	250	0.58	0.2	150	19A
*	FCQ30A06	60	15A×2	T _c =94°C	200	0.65	15	150	19A
*	FCQ30U06	60	15A×2	T _c =94°C	200	0.65	15	150	20A
*	FCQ30B06	60	15A×2	T _c =97°C	150	0.69	10	150	19A
	FCH30A06	60	15A×2	T _c =108°C	200	0.69	1	150	19A
	FCH30U06	60	15A×2	T _c =108°C	200	0.69	1	150	20A
	FCQS30A065	65	15A×2	T _c =112°C	200	0.60	1.5	150	19A
*	FCQS30B065	65	15A×2	T _c =110°C	200	0.64	1.5	150	19A
	FCQS30U065	65	15A×2	T _c =110°C	200	0.64	1.5	150	20A
	FCHS30A08	80	15A×2	T _c =112°C	200	0.72	0.2	150	19A
	FCH30A10	100	15A×2	T _c =105°C	250	0.88	2	150	19A
	FCH30U10	100	15A×2	T _c =106°C	250	0.88	2	150	20A
	FCH30B10	100	15A×2	T _c =97°C	150	0.96	1	150	19A
	FCHS30A12	120	15A×2	T _c =110°C	200	0.88	0.1	150	19A
	FCH30A15	150	15A×2	T _c =103°C	250	0.91	2	150	19A
	FCH30U15	150	15A×2	T _c =103°C	250	0.91	2	150	20A

* Discontinue

Schottky Barrier Diode

Part Number	V _{RRM} (V)	I _{FAV} (A)	Condition	I _{FSM} (A)	V _{FM} (V) 25° C	I _{RM} (mA) 25° C	T _{jmax} (° C)	Case Outline
-------------	----------------------	----------------------	-----------	----------------------	---------------------------	----------------------------	-------------------------	--------------

TO-262



C10T03QL-11A	30	5A×2	Tc=116°C	120	0.47	5	150	21
C10T03QLH-11A	30	5A×2	Tc=129°C	120	0.57	1	150	21
TCQ10A04-11A	40	5A×2	Tc=116°C	120	0.55	5	150	21
TCQ10A06-11A	60	5A×2	Tc=108°C	110	0.58	5	150	21
C10T06QH-11A	60	5A×2	Tc=125°C	120	0.66	1	150	21
C10T10Q-11A	100	5A×2	Tc=121°C	120	0.85	1	150	21
TCH10A15-11A	150	5A×2	Tc=121°C	130	0.88	1	150	21
C20T03QL-11A	30	10A×2	Tc=119°C	180	0.49	10	150	21
C20T03QLH-11A	30	10A×2	Tc=128°C	180	0.54	1	150	21
C20T04Q-11A	40	10A×2	Tc=119°C	180	0.55	10	150	21
C20T04QH-11A	40	10A×2	Tc=127°C	180	0.61	1	150	21
C20T06Q-11A	60	10A×2	Tc=111°C	150	0.65	10	150	21
C20T06QH-11A	60	10A×2	Tc=124°C	180	0.68	1	150	21
C20T10Q-11A	100	10A×2	Tc=120°C	180	0.88	1	150	21
TCH20A15-11A	150	10A×2	Tc=121°C	180	0.90	1	150	21
C30T03QL-11A	30	15A×2	Tc=105°C	250	0.49	15	150	21
C30T03QLH-11A	30	15A×2	Tc=114°C	250	0.56	1	150	21
C30T04Q-11A	40	15A×2	Tc=104°C	250	0.55	15	150	21
C30T04QH-11A	40	15A×2	Tc=114°C	250	0.61	1	150	21
C30T06Q-11A	60	15A×2	Tc=94°C	200	0.65	15	150	21
C30T06QH-11A	60	15A×2	Tc=108°C	200	0.69	1	150	21
C30T10Q-11A	100	15A×2	Tc=105°C	250	0.88	2	150	21
TCH30B10-11A	100	15A×2	Tc=97°C	150	0.96	1	150	21
TCH30C10-11A	100	15A×2	Tc=105°C	250	0.88	2	150	21
TCH30A15-11A	150	15A×2	Tc=103°C	250	0.91	2	150	21

TO-263LP



New	UCQ10A03	30	5A×2	Tc=133°C	120	0.46	1	150	24
	UCQ20B03	30	10A×2	Tc=115°C	180	0.51	2	150	24
	UCQS30A045	45	15A×2	Tc=113°C	250	0.55	1	150	24
New	UCHS30A12	120	15A×2	Tc=106°C	250	0.90	0.1	150	24

Schottky Barrier Diode

Part Number	V _{RRM} (V)	I _{FAV} (A)	Condition	I _{FSM} (A)	V _{FM} (V) 25° C	I _{RM} (mA) 25° C	T _{jmax} (° C)	Case Outline
-------------	----------------------	----------------------	-----------	----------------------	---------------------------	----------------------------	-------------------------	--------------

TO-263



C10T03QL	30	5A×2	Tc=116°C	120	0.47	5	150	23A
C10T03QLH	30	5A×2	Tc=129°C	120	0.57	1	150	23A
TCQ10A04	40	5A×2	Tc=116°C	120	0.55	5	150	23A
TCQ10A06	60	5A×2	Tc=108°C	110	0.58	5	150	23A
C10T06QH	60	5A×2	Tc=125°C	120	0.66	1	150	23A
C10T10Q	100	5A×2	Tc=121°C	120	0.85	1	150	23A
TCH10A15	150	5A×2	Tc=121°C	130	0.88	1	150	23A
C20T03QL	30	10A×2	Tc=119°C	180	0.49	10	150	23A
C20T03QLH	30	10A×2	Tc=128°C	180	0.54	1	150	23A
C20T04Q	40	10A×2	Tc=119°C	180	0.55	10	150	23A
TCQ20B04	40	10A×2	Tc=104°C	180	0.60	10	150	23A
C20T04QH	40	10A×2	Tc=127°C	180	0.61	1	150	23A
C20T06Q	60	10A×2	Tc=111°C	150	0.65	10	150	23A
C20T06QH	60	10A×2	Tc=124°C	180	0.68	1	150	23A
C20T10Q	100	10A×2	Tc=120°C	180	0.88	1	150	23A
TCH20A15	150	10A×2	Tc=121°C	180	0.90	1	150	23A
TCH20A20	200	10A×2	Tc=118°C	120	0.90	0.2	150	23A
C30T03QL	30	15A×2	Tc=105°C	250	0.49	15	150	23A
C30T03QLH	30	15A×2	Tc=114°C	250	0.56	1	150	23A
C30T04Q	40	15A×2	Tc=104°C	250	0.55	15	150	23A
TCQ30B04	40	15A×2	Tc=100°C	150	0.61	10	150	23A
C30T04QH	40	15A×2	Tc=114°C	250	0.61	1	150	23A
C30T06Q	60	15A×2	Tc=94°C	200	0.65	15	150	23A
C30T06QH	60	15A×2	Tc=108°C	200	0.69	1	150	23A
TCH30B10	100	15A×2	Tc=97°C	150	0.96	1	150	23A
TCH30C10	100	15A×2	Tc=105°C	250	0.88	2	150	23A
TCH30A15	150	15A×2	Tc=103°C	250	0.91	2	150	23A

TO-247-2pin



KSQ15A04	40	15	Tc=120°C	250	0.55	15	150	25
KSQ15A06	60	15	Tc=114°C	200	0.65	15	150	25
KSH15A10	100	15	Tc=120°C	250	0.88	2	150	25
KSQ30A03L	30	30	Tc=108°C	400	0.50	25	150	25
KSQ30A04	40	30	Tc=107°C	400	0.58	25	150	25
KSQ30A06	60	30	Tc=98°C	400	0.67	25	150	25
KSH30A20	200	30	Tc=104°C	300	0.95	0.5	150	25

Schottky Barrier Diode

Part Number	V _{RRM} (V)	I _{FAV} (A)	Condition	I _{FSM} (A)	V _{FM} (V) 25° C	I _{RM} (mA) 25° C	T _{jmax} (° C)	Case Outline
-------------	----------------------	----------------------	-----------	----------------------	---------------------------	----------------------------	-------------------------	--------------

TO-247



KSQ15A04B	40	15	Tc=120°C	250	0.55	15	150	26B
KSQ15A06B	60	15	Tc=114°C	200	0.65	15	150	26B
KSH15A10B	100	15	Tc=120°C	250	0.88	2	150	26B
KSQ30A03LB	30	30	Tc=108°C	400	0.50	25	150	26B
KSQ30A04B	40	30	Tc=107°C	400	0.58	25	150	26B
KSQ30A06B	60	30	Tc=98°C	400	0.67	25	150	26B
KSH30A20B	200	30	Tc=104°C	300	0.95	0.5	150	26B
KSL60A01B	10	60	Tc=64°C	700	0.45	40	100	26B
KSQ60A03LB	30	60	Tc=106°C	700	0.54	40	150	26B
KSQ60A04B	40	60	Tc=100°C	700	0.62	40	150	26B
KSQ60A06B	60	60	Tc=87°C	700	0.71	40	150	26B
KCQ20A03L	30	10A×2	Tc=119°C	180	0.49	10	150	26A
KCQ20A04	40	10A×2	Tc=119°C	180	0.55	10	150	26A
KCQ20A06	60	10A×2	Tc=111°C	150	0.65	10	150	26A
KCH20A10	100	10A×2	Tc=120°C	180	0.88	1	150	26A
KCH20A20	200	10A×2	Tc=118°C	120	0.90	0.2	15	26A
KCQ30A03L	30	15A×2	Tc=111°C	250	0.49	15	150	26A
KCQ30A04	40	15A×2	Tc=110°C	300	0.55	15	150	26A
KCH30A04	40	15A×2	Tc=114°C	250	0.61	1	150	26A
KCQ30A06	60	15A×2	Tc=102°C	200	0.65	15	150	26A
KCH30A06	60	15A×2	Tc=108°C	200	0.69	1	150	26A
KCH30A10	100	15A×2	Tc=111°C	250	0.88	2	150	26A
KCH30A15	150	15A×2	Tc=109°C	250	0.91	2	150	26A
KCH30A20	200	15A×2	Tc=106°C	150	0.92	0.3	150	26A
KCL40B015	15	20A×2	Tc=68°C	250	0.46	15	125	26A
KCQ60A03L	30	30A×2	Tc=86°C	400	0.50	25	150	26A
KCH60A03L	30	30A×2	Tc=102°C	400	0.59	2	150	26A
KCQ60A04	40	30A×2	Tc=83°C	400	0.58	25	150	26A
KCH60A04	40	30A×2	Tc=98°C	400	0.63	2	150	26A
KCQ60A06	60	30A×2	Tc=69°C	400	0.67	25	150	26A

Schottky Barrier Diode

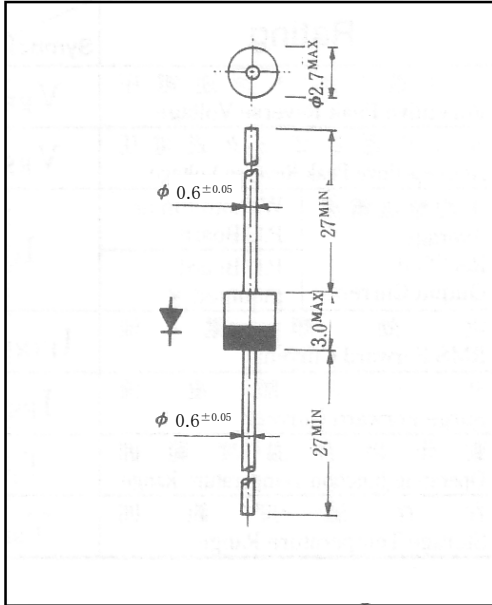
Part Number	V _{RRM} (V)	I _{FAV} (A)	Condition	I _{FSM} (A)	V _{FM} (V) 25° C	I _{RM} (mA) 25° C	T _{jmax} (° C)	Case Outline
-------------	----------------------	----------------------	-----------	----------------------	---------------------------	----------------------------	-------------------------	--------------

Modified TO-247

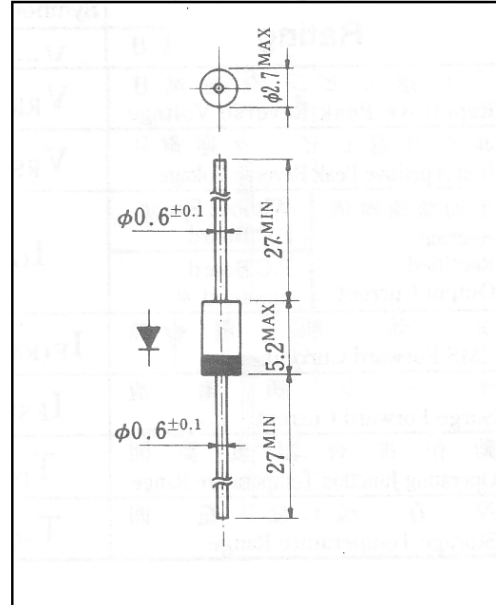


KSQ60A03LE	30	60	Tc=106°C	700	0.54	40	150	27
KSQ60A04E	40	60	Tc=100°C	700	0.62	40	150	27
KSQ60A06E	60	60	Tc=87°C	700	0.71	40	150	27

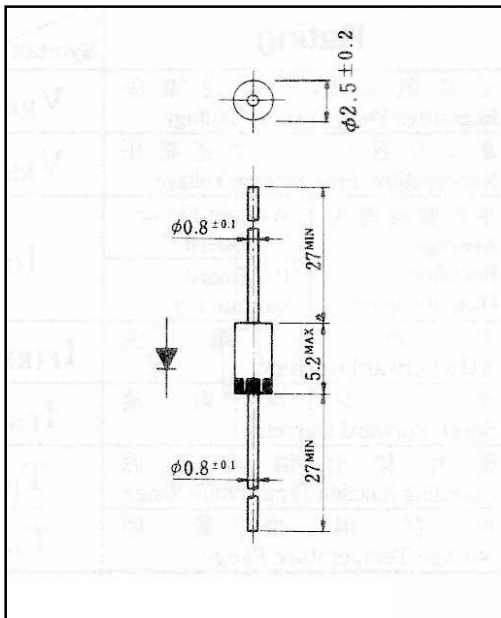
1



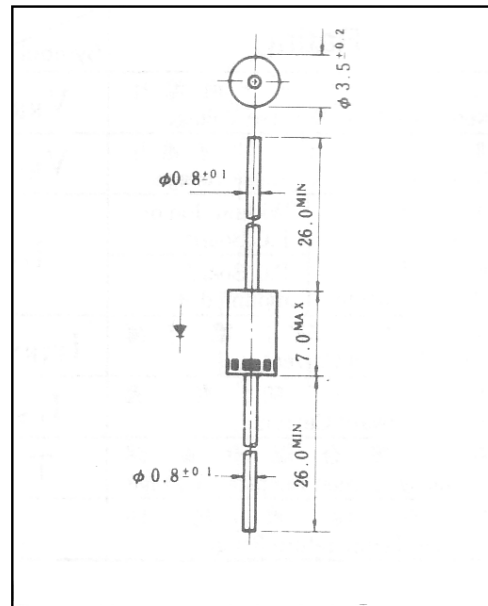
2



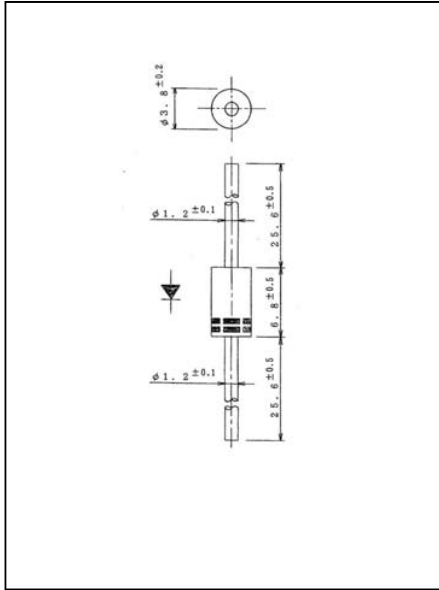
3



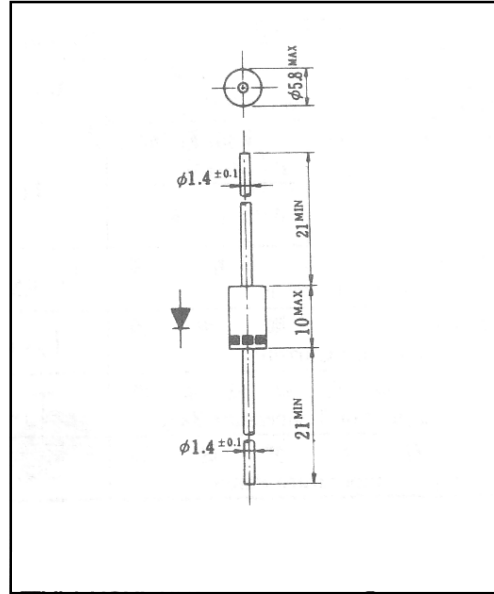
4



5

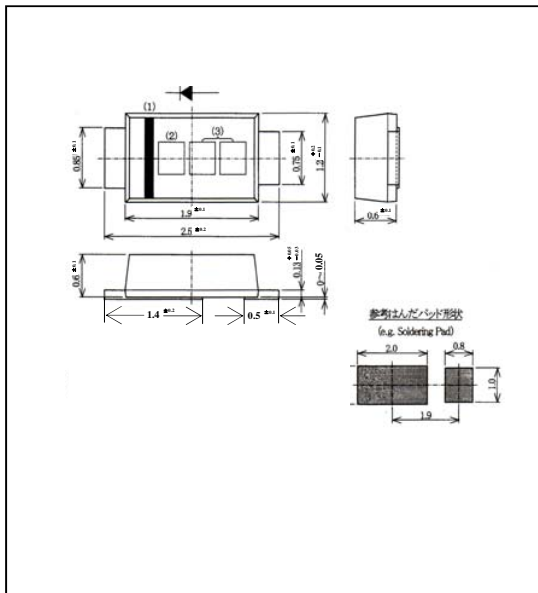


6



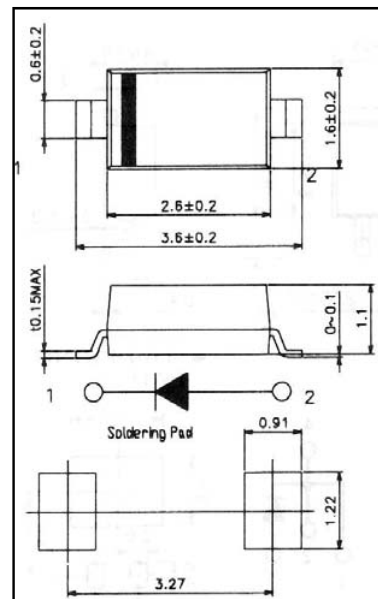
7

SOD-323FL



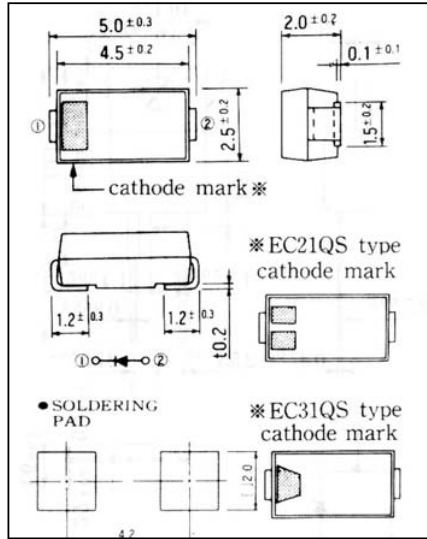
8

SOD-123

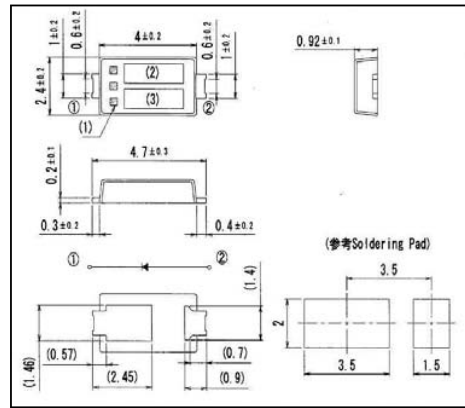


9

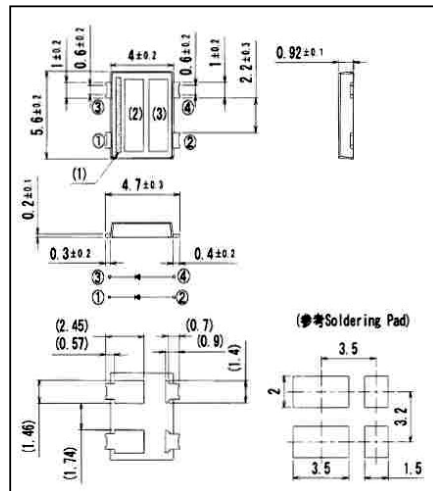
SMA



10

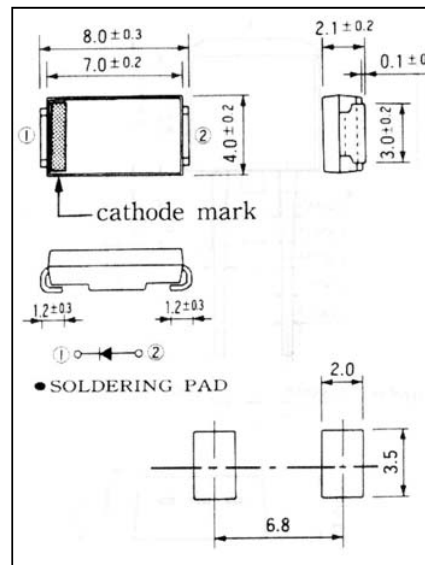


11



12

nSMC

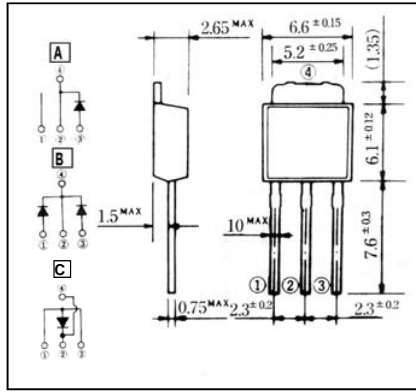


Case Outline

In mm

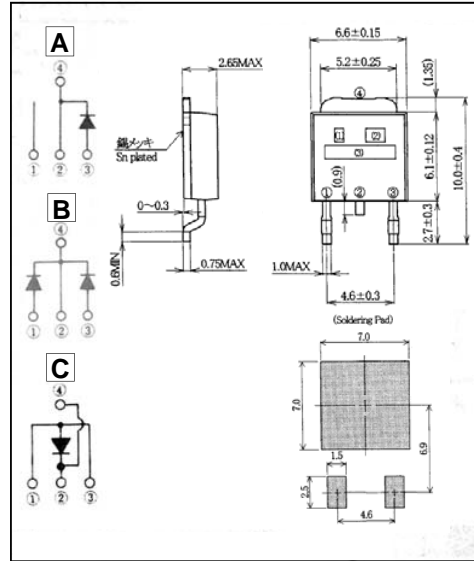
13

TO-251



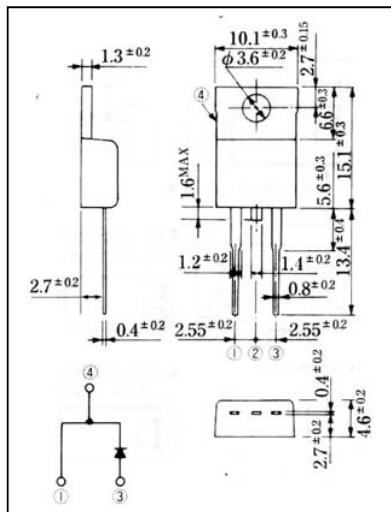
14

Dpak (TO-252)



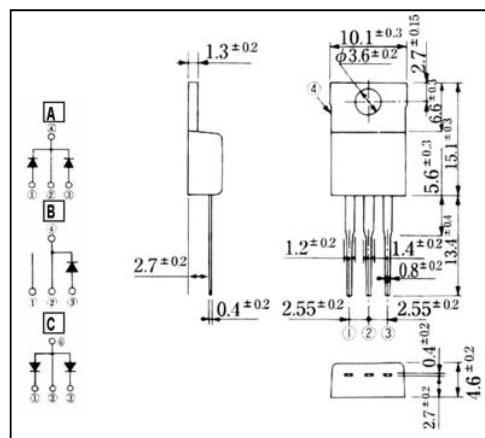
15

TO-220-2pin



16

TO-220

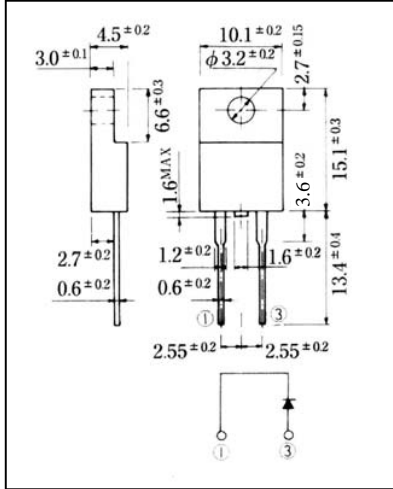


Case Outline

In mm

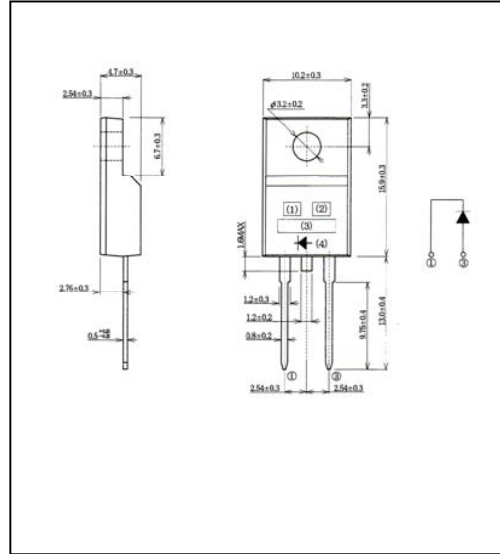
17

TO-220F-2pin



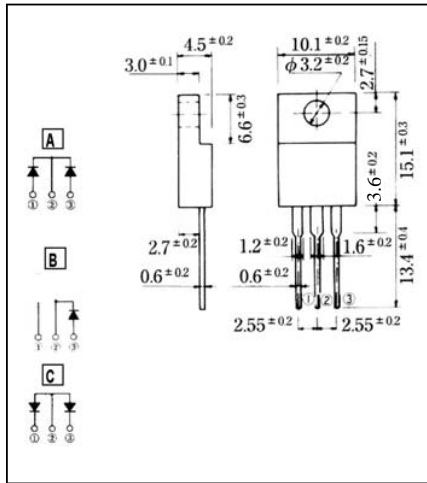
18

TO-220F-2pin



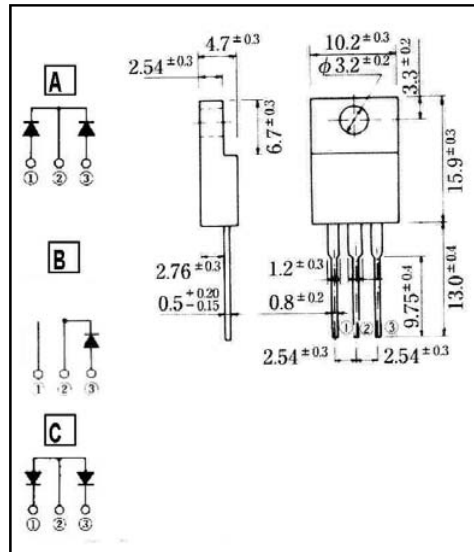
19

TO-220F



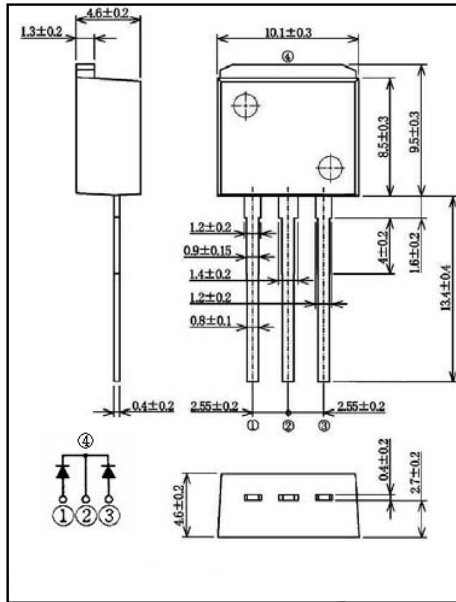
20

TO-220F



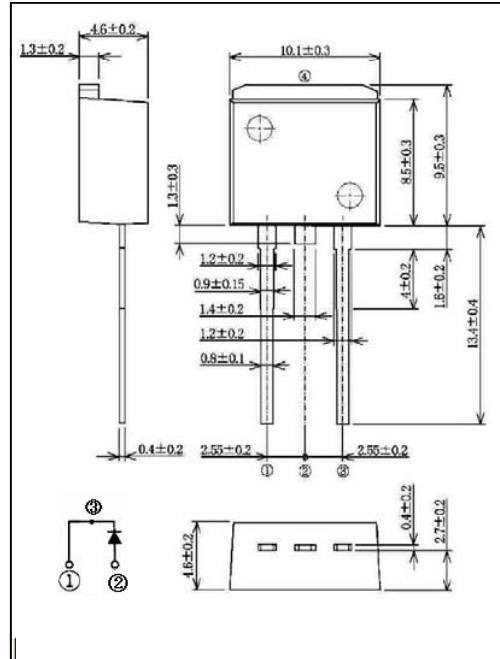
21

TO-262



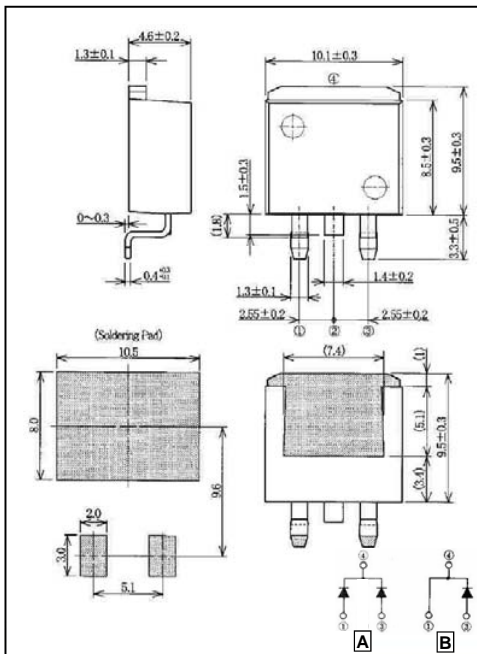
22

TO-262-2pin



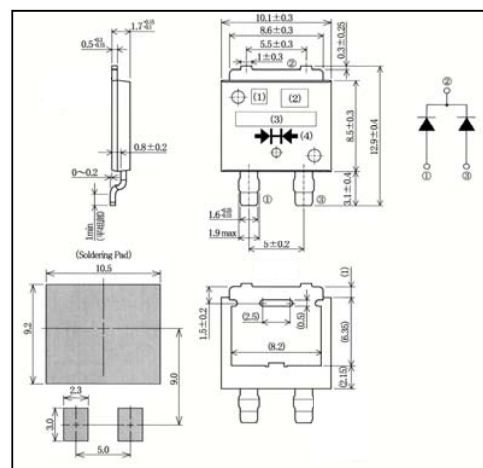
23

TO-263



24

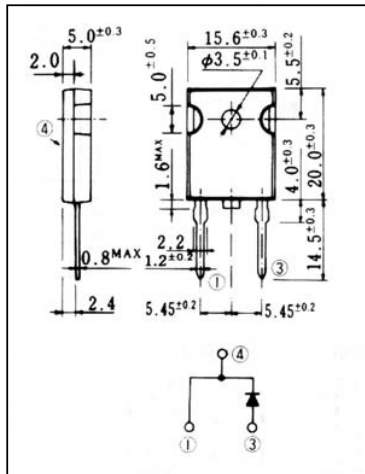
TO-263LP



Case Outline

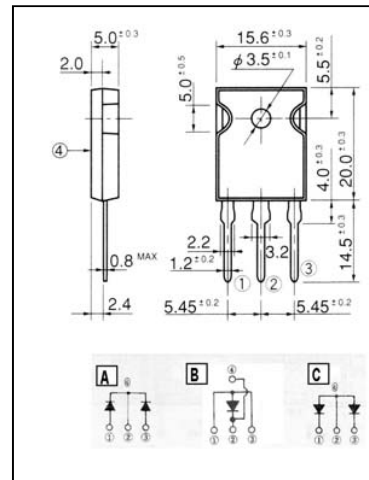
25

TO-247-2pin



26

TO-247



27

Modified TO-247

