

IEC Appliance Inlet C6, Screw-on Mounting, Front or Rear Side, Solder, PCB or Quick-connect Terminal

**Description**

- Panel Mount:
- Screw-on mounting, Frontside Appliance Inlet, Pin temperature 70 °C
- Protection class I
- Solder, Quick Connect or PCB Terminal

**Approvals**

- VDE Certificate Number: 40002273
- UL File Number: E96454
- CSA File Number: 27324

**References**

We recommend for new applications the type 0724

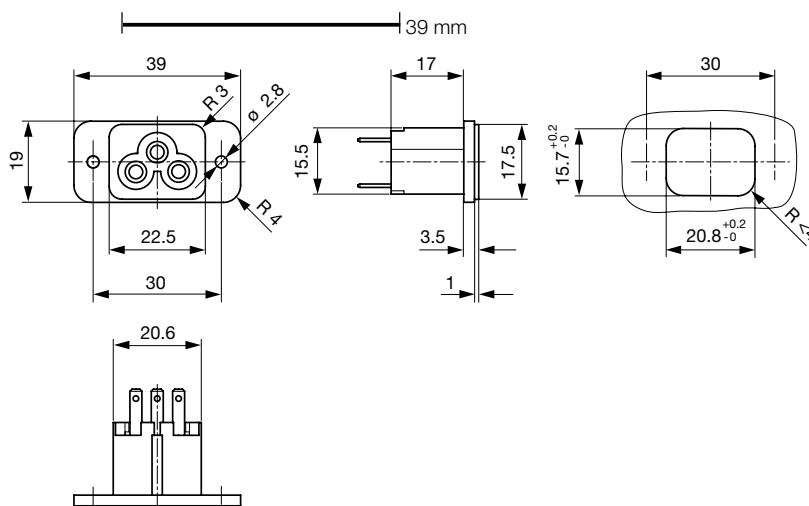
**Weblinks**

[pdf](#), [html](#), [General Product Information](#), [Approvals](#), [RoHS](#), [CHINA-RoHS](#), [Mating Connectors](#), [e-Store](#), [SCHURTER-Stock-Check](#), [Distributor-Stock-Check](#), [Accessories](#)

**Technical Data**

Ratings IEC	2.5A / 250VAC; 50Hz
Ratings UL/CSA	2.5A / 250VAC; 60Hz
Dielectric Strength	> 4kVAC between L-N > 2kVAC between L/N-PE (1 min/50Hz)
Allowable Operation Temp.	-25 °C to 70 °C
Degree of Protection	from front side IP 20 acc. to IEC 60529
Protection Class	Suitable for appliances with protection class 1 acc. to IEC 61140
Material: Housing	PA6, black / grey / white, UL 94V-0

Appliance Inlet	C6 acc. to IEC/EN 60320-1 UL 498, CSA C22.2 no. 42 (for cold conditions) pin-temperature 70 °C, 2.5A, Protection Class 1
-----------------	--

**Dimensions**

Length of the terminal please find at the order code configuration table

## Config. Code

2562 - H - A B C 0- D - E


The characters are placeholders for the correspondingly keys of selections from the key tables.

2562 - **H** - A B C 0- D - E = Type

Type	Configuration key
protection class 1	X

2562 - H - **A** B C 0- D - E = Terminals

Terminal L	Configuration key
short solder terminal (L = 4.8 mm)	2
long solder terminal (L = 8.5 mm)	3
PCB-terminal (standard)	4
Blade terminal (2.8 x 0.8 mm)	7


2562 - H - A **B** C 0- D - E = Terminals

Terminal N	Configuration key
short solder terminal (L = 4.8 mm)	2
long solder terminal (L = 8.5 mm)	3
PCB-terminal (standard)	4
Blade terminal (2.8 x 0.8 mm)	7

Symbols similar as in table A

2562 - H - A B **C** 0- D - E = Terminals

Terminal Ground	Configuration key
PCB-terminal (standard)	4
Blade terminal (2.8 x 0.8 mm)	7

Symbols similar as in table A

2562 - H - A B C 0- **D** - E = Color

Color	Configuration key
jet black; RAL9005	A
silver grey; RAL7001	B
pure white; RAL9010	D

2562 - H - A B C 0- D - **E** = Style

Style	Configuration key
flange with through holes	2

Packaging unit 50 Pcs

## Mating Outlets/Connectors

## Category / Description



Power Cord Overview complete

Power Cord with IEC Connector C5, Angled	2512
Power Cord with IEC Connector C5, Straight	2530

Power Cord further types to 2562