



Chip Inductors – 0603CT (1608)

- Very low profile – only 60% of the height of our other 0603 inductor series
- Excellent Q, low DCR and very high SRF

Designer's Kit C423 contains 10 each of all 5% values and **Designer's Kit C423-2** contains 10 each of all 2% values.

| Part number ¹ | Inductance ² (nH) | Percent tolerance ³ | 900 MHz | | 1.7 GHz | | SRF typ ⁵ (GHz) | DCR max ⁶ (Ohms) | Irms ⁷ (mA) |
|--------------------------|---------------------------------|--------------------------------|---------|--------------------|---------|--------------------|-------------------------------|--------------------------------|---------------------------|
| | | | L typ | Q typ ⁴ | L typ | Q typ ⁴ | | | |
| 0603CT-1N0XJL_ | 1.0 | 5 | 0.98 | 39 | 0.99 | 58 | 16.0 | 0.045 | 1600 |
| 0603CT-1N2XJL_ | 1.2 | 5 | 1.18 | 35 | 1.19 | 50 | 16.0 | 0.105 | 1100 |
| 0603CT-2N0XJL_ | 2.0 | 5 | 1.98 | 46 | 1.98 | 70 | 12.0 | 0.034 | 1900 |
| 0603CT-2N3XJL_ | 2.3 | 5 | 2.27 | 55 | 2.28 | 81 | 11.0 | 0.046 | 1600 |
| 0603CT-2N5XJL_ | 2.5 | 5 | 2.48 | 52 | 2.50 | 77 | 11.0 | 0.060 | 1300 |
| 0603CT-3N0X_L_ | 3.0 | 5,2 | 2.96 | 57 | 2.97 | 82 | 10.7 | 0.039 | 1600 |
| 0603CT-3N3X_L_ | 3.3 | 5,2 | 3.27 | 60 | 3.33 | 83 | 7.00 | 0.039 | 1600 |
| 0603CT-3N6X_L_ | 3.6 | 5,2 | 3.58 | 69 | 3.63 | 95 | 7.00 | 0.044 | 1600 |
| 0603CT-3N9X_L_ | 3.9 | 5,2 | 3.87 | 68 | 3.95 | 90 | 6.30 | 0.050 | 1400 |
| 0603CT-4N3X_L_ | 4.3 | 5,2 | 4.26 | 58 | 4.34 | 84 | 6.30 | 0.076 | 1300 |
| 0603CT-4N7X_L_ | 4.7 | 5,2 | 4.66 | 50 | 4.75 | 70 | 5.60 | 0.120 | 960 |
| 0603CT-5N1X_L_ | 5.1 | 5,2 | 5.12 | 68 | 5.18 | 93 | 5.50 | 0.050 | 1400 |
| 0603CT-5N6X_L_ | 5.6 | 5,2 | 5.60 | 67 | 5.73 | 90 | 5.05 | 0.058 | 1300 |
| 0603CT-6N8X_L_ | 6.8 | 5,2 | 6.78 | 60 | 7.00 | 81 | 4.50 | 0.080 | 1200 |
| 0603CT-7N2X_L_ | 7.2 | 5,2 | 7.19 | 65 | 7.44 | 88 | 4.50 | 0.047 | 1500 |
| 0603CT-8N2X_L_ | 8.2 | 5,2 | 8.18 | 60 | 8.46 | 78 | 4.25 | 0.075 | 1300 |
| 0603CT-9N5X_L_ | 9.5 | 5,2 | 9.52 | 63 | 9.92 | 80 | 3.95 | 0.092 | 1100 |
| 0603CT-10NX_L_ | 10 | 5,2 | 10.0 | 67 | 10.4 | 85 | 3.95 | 0.075 | 1300 |
| 0603CT-11NX_L_ | 11 | 5,2 | 11.0 | 66 | 11.5 | 86 | 4.00 | 0.110 | 1000 |
| 0603CT-12NX_L_ | 12 | 5,2 | 12.0 | 68 | 12.7 | 85 | 3.50 | 0.130 | 920 |
| 0603CT-15NX_L_ | 15 | 5,2 | 15.2 | 65 | 16.1 | 80 | 3.30 | 0.145 | 800 |
| 0603CT-16NX_L_ | 16 | 5,2 | 16.3 | 63 | 17.5 | 76 | 3.10 | 0.175 | 760 |
| 0603CT-18NX_L_ | 18 | 5,2 | 18.1 | 66 | 19.2 | 80 | 2.95 | 0.200 | 720 |
| 0603CT-20NX_L_ | 20 | 5,2 | 20.2 | 67 | 21.6 | 80 | 2.90 | 0.175 | 760 |
| 0603CT-22NX_L_ | 22 | 5,2 | 22.4 | 60 | 24.3 | 70 | 2.75 | 0.220 | 700 |
| 0603CT-24NX_L_ | 24 | 5,2 | 24.4 | 61 | 26.5 | 72 | 2.70 | 0.240 | 680 |
| 0603CT-27NX_L_ | 27 | 5,2 | 27.4 | 62 | 29.8 | 75 | 2.55 | 0.270 | 670 |
| 0603CT-30NX_L_ | 30 | 5,2 | 30.5 | 62 | 33.9 | 73 | 2.45 | 0.330 | 600 |
| 0603CT-33NX_L_ | 33 | 5,2 | 34.0 | 55 | 39.1 | 61 | 2.20 | 0.330 | 600 |
| 0603CT-36NX_L_ | 36 | 5,2 | 37.2 | 61 | 42.3 | 63 | 2.30 | 0.335 | 600 |
| 0603CT-39NX_L_ | 39 | 5,2 | 40.3 | 60 | 45.3 | 65 | 2.25 | 0.400 | 570 |
| 0603CT-43NX_L_ | 43 | 5,2 | 44.5 | 57 | 51.3 | 60 | 2.10 | 0.440 | 530 |
| 0603CT-47NX_L_ | 47 | 5,2 | 48.2 | 55 | 57.8 | 57 | 1.90 | 0.540 | 470 |
| 0603CT-51NX_L_ | 51 | 5,2 | 53.0 | 55 | 63.2 | 55 | 1.85 | 0.570 | 440 |
| 0603CT-56NX_L_ | 56 | 5,2 | 59.4 | 54 | 75.4 | 48 | 1.75 | 0.700 | 420 |

1. When ordering, specify **tolerance, termination** and **packaging** codes:

0603CT-56NXGLW

Tolerance: G = 2% J = 5% (Table shows stock tolerances in bold.)

Termination: L = RoHS compliant silver-palladium-platinum-glass frit.
Special order: T = RoHS tin-silver-copper (95.5/4/0.5)
or S = non-RoHS tin-lead (63/37).

Packaging: W = 7" machine-ready reel. EIA-481 punched paper tape (2000 parts per full reel).

U = Less than full reel. In tape, but not machine ready.
To have a leader and trailer added (\$25 charge), use code letter W instead.

2. Inductance measured at 250 MHz, 0.1 Vrms, 0 Adc using Coilcraft SMD-A fixture in Agilent/HP 4287A impedance analyzer.

3. Tolerances in bold are stocked for immediate shipment.

4. Q measured using Agilent/HP4291A with Agilent/HP 16193 test fixture.

5. SRF measured using Agilent/HP 8722ES network analyzer and Coilcraft SMD-D test fixture.

6. DCR measured on Cambridge Technology micro-ohmmeter and Coilcraft CCF858 test fixture.

7. Current that causes a 15°C temperature rise from 25°C ambient.

8. Electrical specifications at 25°C.

Refer to Doc 362 "Soldering Surface Mount Components" before soldering.



www.coilcraft.com

US +1-847-639-6400 sales@coilcraft.com

UK +44-1236-730595 sales@coilcraft-europe.com

Taiwan +886-2-2264 3646 sales@coilcraft.com.tw

China +86-21-6218 8074 sales@coilcraft.com.cn

Singapore + 65-6484 8412 sales@coilcraft.com.sg

Document 485-1 Revised 01/18/12

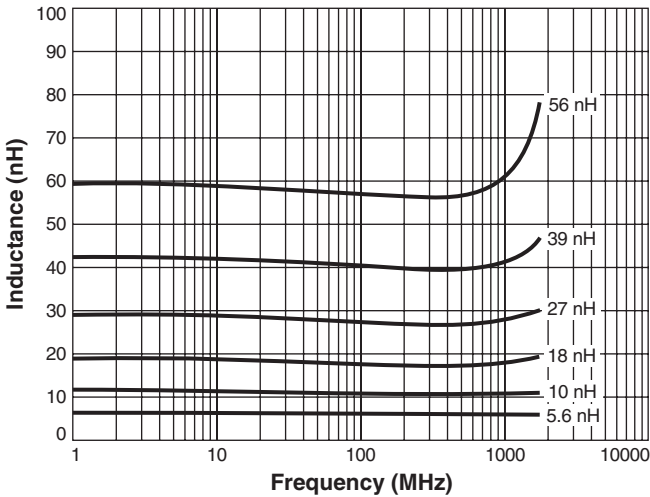
© Coilcraft Inc. 2012

This product may not be used in medical of high risk applications without prior Coilcraft approval. Specification subject to change without notice. Please check out web site for latest information.

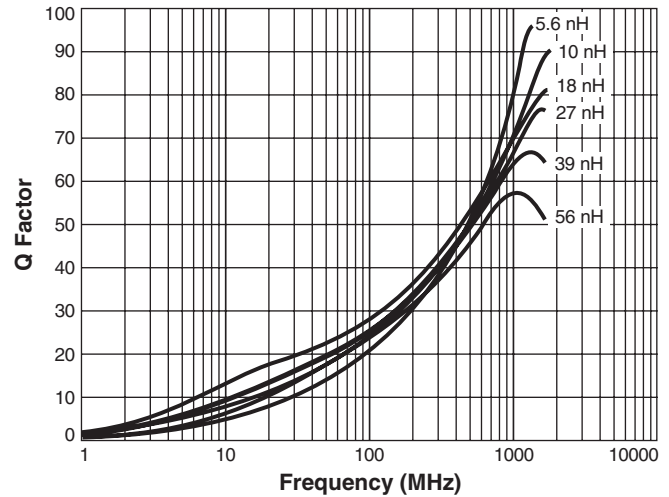


0603CT Series (1608)

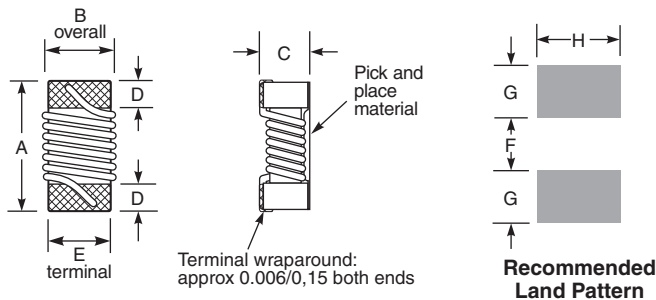
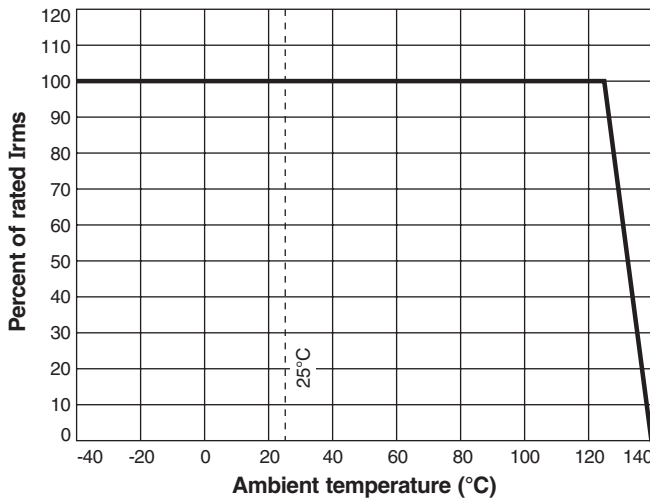
Typical L vs Frequency



Typical Q vs Frequency



Typical Irms Derating



| Amax | Bmax | Cmax | D | E | F | G | H |
|-------|-------|-------|-------|-------|-------|-------|--------------|
| 0.064 | 0.033 | 0.024 | 0.013 | 0.030 | 0.025 | 0.025 | 0.040 inches |
| 1,63 | 0,84 | 0,61 | 0,33 | 0,76 | 0,64 | 0,64 | 1,02 mm |

Note: Height dimension (C) is before optional solder application. For maximum height dimension including solder, add 0.006 in / 0,152 mm.

- Designer's Kit C423** contains 10 each of all 5% values;
- Designer's Kit C423-2** contains 10 each of all 2% values
- Core material** Ceramic
- Terminations** RoHS compliant silver-palladium-platinum-glass frit. Other terminations available at additional cost.
- Weight** 160 – 190 mg
- Ambient temperature** –40°C to +125°C with Irms current, +125°C to +140°C with derated current
- Storage temperature** Component: –40°C to +125°C. Tape and reel packaging: –40°C to +80°C
- Resistance to soldering heat** Max three 40 second reflows at +260°C, parts cooled to room temperature between cycles
- Temperature Coefficient of Inductance (TCL)** +25 to +125 ppm/°C
- Moisture Sensitivity Level (MSL)** 1 (unlimited floor life at <30°C / 85% relative humidity)
- Failures in Time (FIT) / Mean Time Between Failures (MTBF)** One per billion hours / one billion hours, calculated per Telcordia SR-332
- Packaging** 2000/7" reel; Paper tape: 8 mm wide, 0.68 mm thick, 4 mm pocket spacing
- PCB washing** Only pure water or alcohol recommended



US +1-847-639-6400 sales@coilcraft.com
UK +44-1236-730595 sales@coilcraft-europe.com
Taiwan +886-2-2264 3646 sales@coilcraft.com.tw
China +86-21-6218 8074 sales@coilcraft.com.cn
Singapore + 65-6484 8412 sales@coilcraft.com.sg

Document 485-2 Revised 01/18/12
 © Coilcraft Inc. 2012
 This product may not be used in medical of high risk applications without prior Coilcraft approval. Specification subject to change without notice. Please check out web site for latest information.