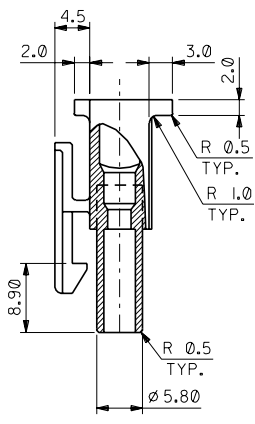
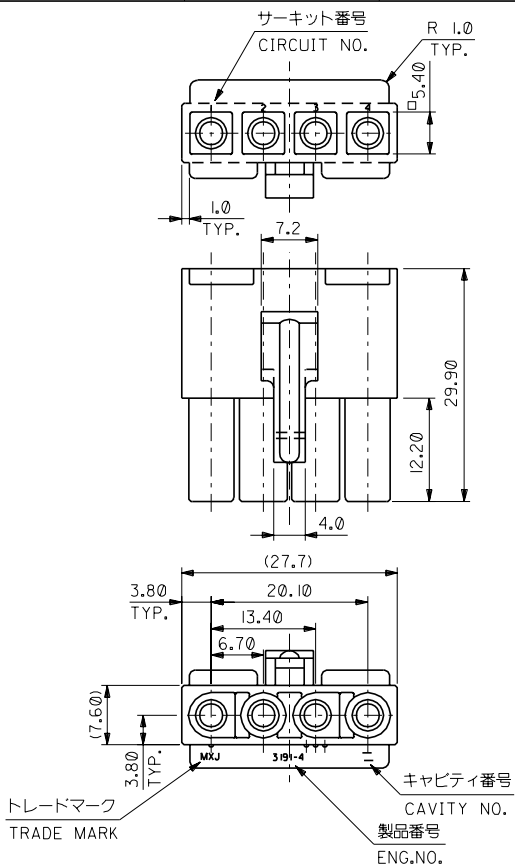


DWG. NO. SD-3191-04R1-*



注) NOTE.
1. () 内寸法は参考
(DIMENSIONS IN () ARE REFERENCE)

3191-04R1-201	39-03-6045	ナイロン66 NYLON66	94V-0
3191-04R1	39-03-6044	ナイロン66 NYLON66	94V-2
ENG.NO.	EDP.NO.	材料 MATERIAL NO.	

DO NOT SCALE DRAWING		REDRAWN		MATERIAL 表参照 SEE TABLE		GENERAL TOLERANCES: (UNLESS SPECIFIED) 一般公差		SCALE 2:1		DESIGN UNITS <input checked="" type="checkbox"/> mm <input type="checkbox"/> INCH		PROJECTION <input checked="" type="checkbox"/> FIRST ANGLE <input type="checkbox"/> THIRD ANGLE		SHT REV			
01 INC. DRWN: CHK: APPR:	02 INC. DRWN: CHK: APPR:	03 INC. DRWN: CHK: APPR:	04 INC. DRWN: CHK: APPR:	05 INC. DRWN: CHK: APPR:	06 INC. DRWN: CHK: APPR:	07 INC. DRWN: CHK: APPR:	08 INC. DRWN: CHK: APPR:	10 UNDER 未満	±0.25	DRAWN BY & DATE K.KOHAMA 00/ 3/28	TITLE: 4 CKT. REC. HS'G (.093 DIA. TERM.)		MATERIAL NO. 3191-04R1-*		DRAWING NO. SD-3191-04R1-*		
FINISH 仕上り //				WIRE RANGE 適用電線範囲 //				10 OVER 以上 30 UNDER 未満	±0.3	CHECKED BY & DATE T.YAMAGUCHI 00/ 3/31	APPROVED BY & DATE M.FUKUSHIMA 00/ 3/31		MATERIAL NO. 3191-04R1-*		DRAWING NO. SD-3191-04R1-*		
INS. RANGE 被覆外径 //				ANGLE 角度 +3°				30 OVER 以上	±0.35	CAD FILENAME S319104.S10		MATERIAL NO. 3191-04R1-*		DRAWING NO. SD-3191-04R1-*		SHEET NO. 1	
<p>01 INC. DRWN: CHK: APPR:</p> <p>02 INC. DRWN: CHK: APPR:</p> <p>03 INC. DRWN: CHK: APPR:</p> <p>04 INC. DRWN: CHK: APPR:</p> <p>05 INC. DRWN: CHK: APPR:</p> <p>06 INC. DRWN: CHK: APPR:</p> <p>07 INC. DRWN: CHK: APPR:</p> <p>08 INC. DRWN: CHK: APPR:</p>																	

MOLEX INCORPORATED

THIS DRAWING CONTAINS INFORMATION THAT IS PROPRIETARY TO MOLEX INCORPORATED AND SHOULD NOT BE USED WITHOUT WRITTEN PERMISSION.

EN-02J(097) MXJ-54