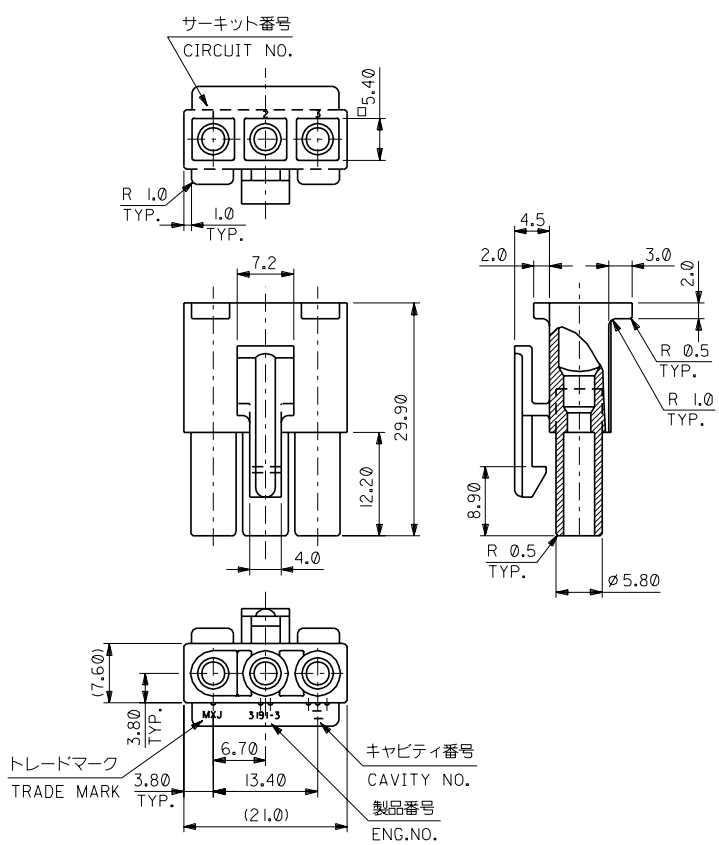


DWG. NO. SD-3191-03R1-*



注)
NOTE.
1. () 内寸法は参考
(DIMENSIONS IN () ARE REFERENCE)

DO NOT SCALE DRAWING

| | | | | | | |
|---------------------------|---|--|--|--|--|-----------------------------|
| 表参照 SEE TABLE | GENERAL TOLERANCES: (UNLESS SPECIFIED) 一般公差 | SCALE 2:1 | DESIGN UNITS <input checked="" type="checkbox"/> mm <input type="checkbox"/> INCH | 表参照 SEE TABLE | DIMENSIONS: <input type="checkbox"/> mm <input type="checkbox"/> INCH <input checked="" type="checkbox"/> mm ONLY | SHT REV |
| 10 UNDER 未満 30 OVER 以上 | ±0.25 ±0.3 ±0.35 | DRAWN BY & DATE K.KOHAMA 00/ 3/28 | CHECKED BY & DATE T.YAMAGUCHI 00/ 3/31 | TITLE: 3 CKT. REC. HS'G (.093 DIA. TERM.) | MOLEX INCORPORATED | MATERIAL NO. DRAWING NO. |
| 30 OVER 以上 | ±0.35 ±0.3 | APPROVED BY & DATE M.FUKUSHIMA 00/ 3/31 | CAD FILENAME S319103.S10 | MATERIAL NO. 3191-03R1-* | DRAWING NO. SD-3191-03R1-* | SHEET NO. 1 |
| WIRE RANGE 通用電線範囲 | ANGLE 角度 +3° | INS. RANGE 被覆外径 | 表参照 SEE TABLE | MATERIAL 材料 | FINISH 仕上り | REDRAWN 再描 |

| | | | |
|---------------|------------|-----------------|-------|
| 3191-03R1-201 | 39-03-6035 | ナイロン66 NYLON66 | 94V-0 |
| 3191-03R1 | 39-03-6034 | ナイロン66 NYLON66 | 94V-2 |
| ENG.NO. | EDP.NO. | 材料 MATERIAL NO. | |

| | | | | | | |
|---------------------------|---|--|--|--|--|-----------------------------|
| 表参照 SEE TABLE | GENERAL TOLERANCES: (UNLESS SPECIFIED) 一般公差 | SCALE 2:1 | DESIGN UNITS <input checked="" type="checkbox"/> mm <input type="checkbox"/> INCH | 表参照 SEE TABLE | DIMENSIONS: <input type="checkbox"/> mm <input type="checkbox"/> INCH <input checked="" type="checkbox"/> mm ONLY | SHT REV |
| 10 UNDER 未満 30 OVER 以上 | ±0.25 ±0.3 ±0.35 | DRAWN BY & DATE K.KOHAMA 00/ 3/28 | CHECKED BY & DATE T.YAMAGUCHI 00/ 3/31 | TITLE: 3 CKT. REC. HS'G (.093 DIA. TERM.) | MOLEX INCORPORATED | MATERIAL NO. DRAWING NO. |
| 30 OVER 以上 | ±0.35 ±0.3 | APPROVED BY & DATE M.FUKUSHIMA 00/ 3/31 | CAD FILENAME S319103.S10 | MATERIAL NO. 3191-03R1-* | DRAWING NO. SD-3191-03R1-* | SHEET NO. 1 |
| WIRE RANGE 通用電線範囲 | ANGLE 角度 +3° | INS. RANGE 被覆外径 | 表参照 SEE TABLE | MATERIAL 材料 | FINISH 仕上り | REDRAWN 再描 |

EN-02J(097) MXJ-54