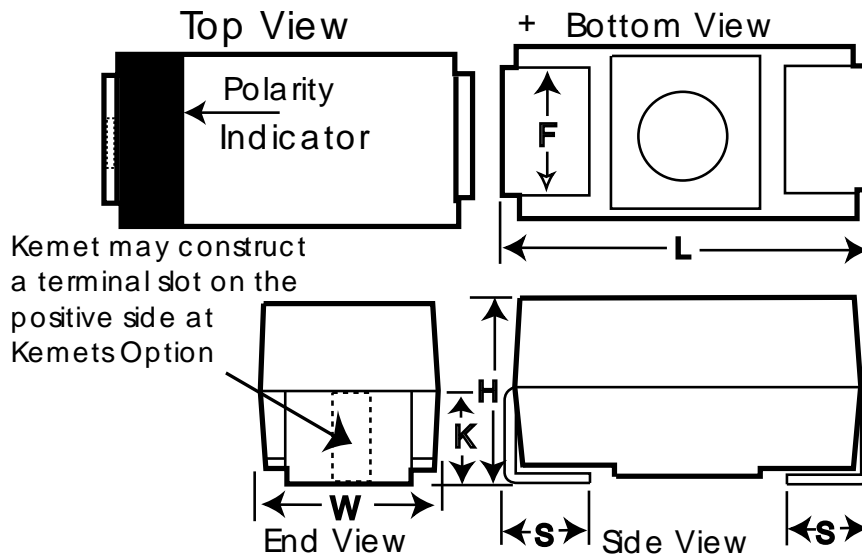


Capacitor, tantalum, 22 uF, 6032, +/-10% Tol, 16V@85C



**Dimensions (mm)**

**Specifications**

ID	Dimension	Tolerance	Manufacturer:	KEMET
L	6	+/-0.3	Capacitance:	22 uF
W	3.2	+/-0.3	Voltage DC @ 85C:	16V
H	2.5	+/-0.3	Voltage DC @ 105C:	13V
K	1.8	typ	Voltage DC @ 125C:	10V
F	2.2	+/-0.1	Voltage DC @ 150C:	8V
S	1.3	+/-0.3	Tolerance:	+/-10%
			Application:	generalpurpose/hitemp
			Temperature Range:	-55/+150C
			Body Type:	Molded Chip
			Construction:	Std Chip-MnO2
			Footprint:	6032
			Termination:	Tin
			Leakage Current:	3.6 uA
			Dissipation Factor:	4.5%
			Impedance @ 100kHz:	1 Ohm
			Package Kind:	T&R
			Package Quantity:	750

Notes:

-In polarity stripe, at KEMET's option, type may be indicated:  
 see catalog for explanation of symbols