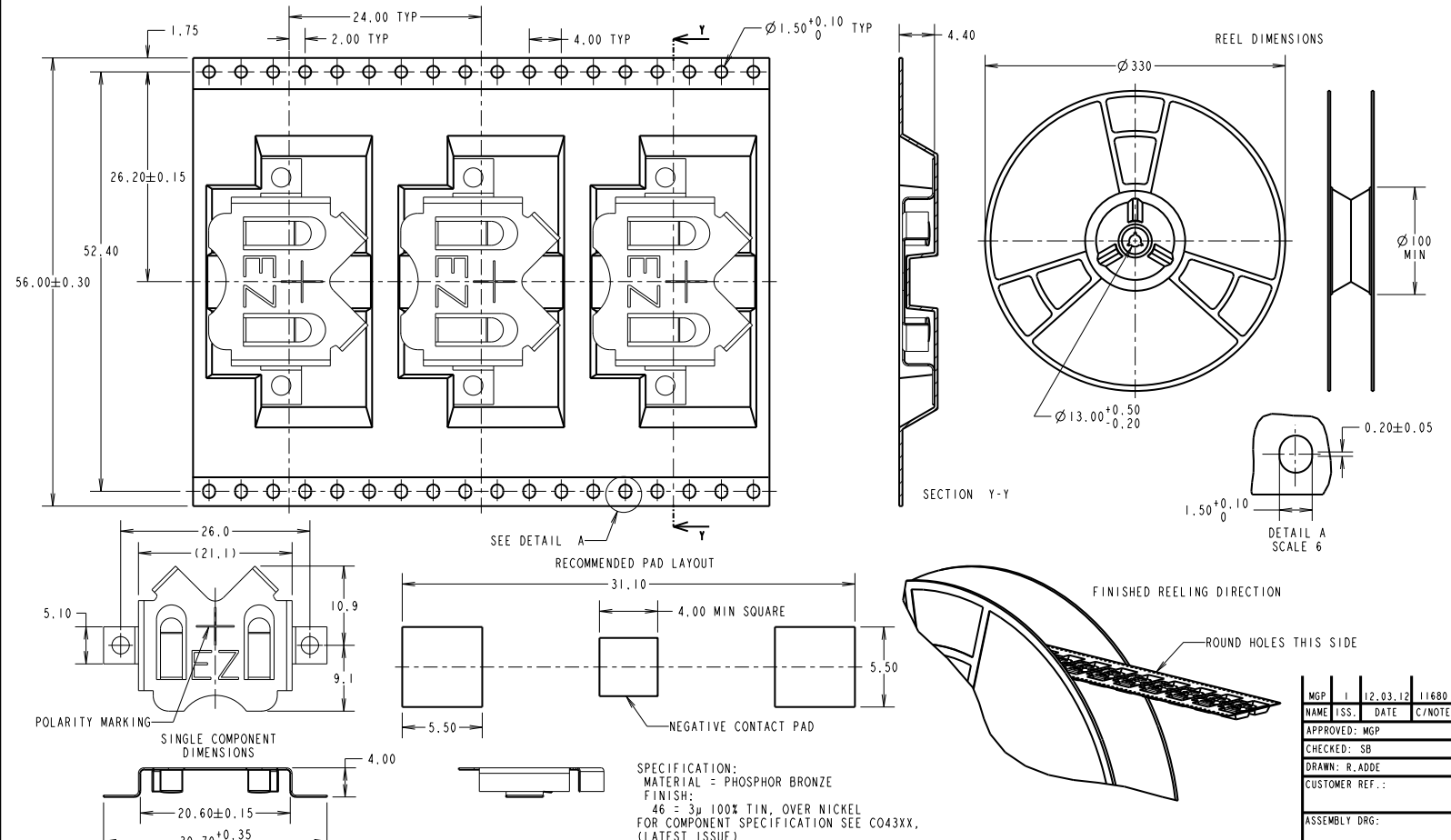


# Customer Information Sheet

DRAWING No.: SB211-46R SHEET 2 OF 2 IF IN DOUBT - ASK (C) NOT TO SCALE THIRD ANGLE PROJECTION ALL DIMENSIONS IN mm



**NOTES:**  
 1. QUANTITY PER REEL = 550.  
 2. THIS PRODUCT IS TAPED AND REELED IN ACCORDANCE WITH EIA-481-2-A (ELECTRONIC INDUSTRIES ASSOCIATION).  
 3. THIS PRODUCT IS SUITABLE FOR THE FOLLOWING BATTERIES: CR2016, CR2025, CR2032 & BR2016, BR2020, BR2025 & OTHERS. PLEASE CHECK MANUFACTURERS SPECIFICATIONS FOR SUITABILITY.

 www.harwin.com technical@harwin.com	THIS DRAWING AND ANY INFORMATION OR DESCRIPTIVE MATTER SET OUT HEREON ARE CONFIDENTIAL AND COPYRIGHT PROPERTY OF THE HARWIN GROUP AND MUST NOT BE DISCLOSED, LOANED, COPIED OR USED FOR MANUFACTURING, TENDERING OR FOR ANY OTHER PURPOSE WITHOUT THEIR WRITTEN PERMISSION.	TOLERANCES X. = $\pm 1$ mm X.X = $\pm 0.25$ mm X.XX = $\pm 0.10$ mm X.XXX = $\pm 0.01$ mm ANGLES = $\pm 5^\circ$ UNLESS STATED	MATERIAL: SEE ABOVE	TITLE: COIN CELL RETAINER (20mm) (TAPE & REELED)
			FINISH: SEE ABOVE	DRAWING NUMBER: <b>SB211-46R</b>

MGP	1	12.03.12	11680
NAME	JSS	DATE	C/NOTE
APPROVED: MGP			
CHECKED: SB			
DRAWN: R.ADDE			
CUSTOMER REF.:			
ASSEMBLY DRG:			