

FEATURES AND SPECIFICATIONS

Features and Benefits

- Straddle mount version for edge placement to PCB
- Housing is compatible with SMT processing
- Date code assembly
- Polarizing peg ensures correct placement to PCB
- End clips provide additional retention to PCB
- Smooth contact surface, blanked terminal

Reference Information

Product Specification: PS-79058
 Packaging: Tube
 UL File No.: E29179
 CSA File No.: LR1998A-281
 Mates With: 79058, 71295 and 70498
 Designed In: Inches

Electrical

Voltage: 30V
 Current: 1.0A
 Contact Resistance: 25mΩ max.
 Dielectric Withstanding Voltage: 500V AC
 Insulation Resistance: 1000 MΩ min.

Mechanical

Contact Insertion Force: 1 lb min.
 Insertion Force to PCB: 15 lb max.
 Mating Force: 5.3 oz max.
 Unmating Force: 1 oz min.
 Normal Force: 100g

Physical

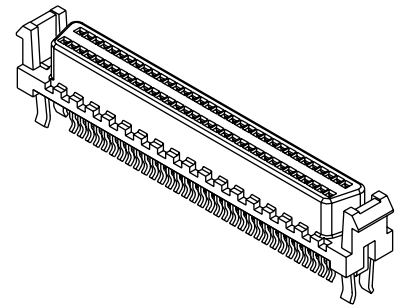
Housing: Black high-temperature thermoplastic, UL 94V-0
 Contact: Phosphor Bronze
 Plating: 30μ" Gold in contact area, 15μ" Tin/Lead on solder tails, all over Nickel overall
 Operating Temperature: -55 to +105°C



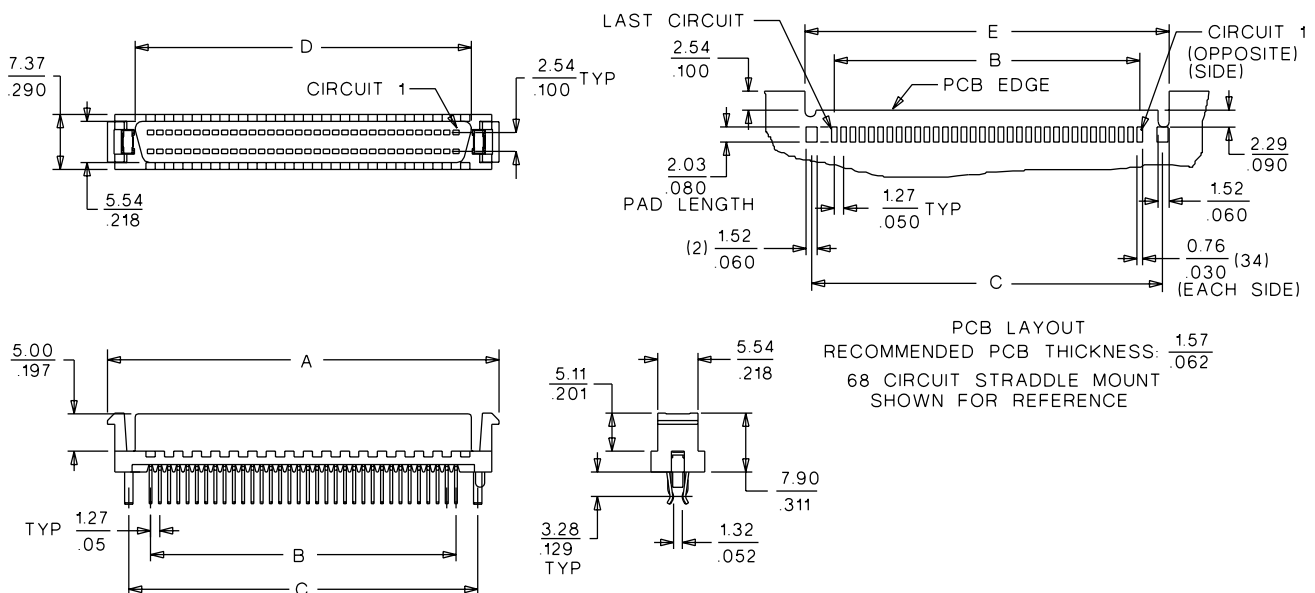
1.27mm (.050") Pitch SCSI+ Unshielded Receptacle

73631

Vertical, All Plastic With Latches and Straddle Mount



CATALOG DRAWING (FOR REFERENCE ONLY)



ORDERING INFORMATION AND DIMENSIONS

Circuits	Order No.	Dimension				
		A	B	C	D	E
50	73631-1001	42.29 (1.665)	30.48 (1.200)	36.70 (1.445)	34.70 (1.366)	38.56 (1.518)
68	73631-1002	53.72 (2.115)	41.91 (1.650)	48.13 (1.895)	46.13 (1.816)	49.99 (1.968)