

1 | 2

3

4

FCI LOGO (SEE NOTE 3)

FCI

114.3

97.79 (13.97x7 pitch)

13.97 TYP.

ϕ

13.97 TYP.

55.88 (13.97x 4 pitch)

ϕ

110.0

1.7

12.95

2.8

2.75±0.25

3.7

1.20

2.40

8.87

3.35

2.54

3.15±0.25

3.85

7.1

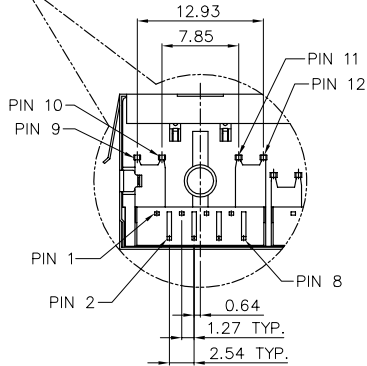
1.7

15.87

PRINT DATE CODE
SEE NOTE 4

BACK VIEW

PARTIAL VIEW



mat'l. code				tolerances unless otherwise specified		CUSTOMER COPY	FCI www.fciconnect.com
ltr	ecn no	dr	date	linear	angles	projection	
A	T10-0122	WL	08/02/10	.XX ±0.20			RJ 1x8 TAB DOWN WITH LED & EMI WITHOUT TRANSFORMER
B	T10-0125	WL	08/05/10	.XX ±0.15			product family
C	EN-ELX-0-00044	A.ZH	12/06/11			MM	size
				dr	WENDY CHEN	02/25/10	dwg no
				enr	WENDY CHEN	02/25/10	10113616
				chr	GARY HSIEH	02/25/10	code
				appd	JOSEPH HSIA	02/25/10	NT
sheet index	revision sheet	C	1~3				sheet 1 of 3

1 | 2

3

4

ACAD

PDS: Rev : C

STATUS: Released 22526 Printed: Dec 14, 2011

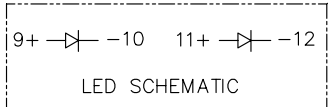
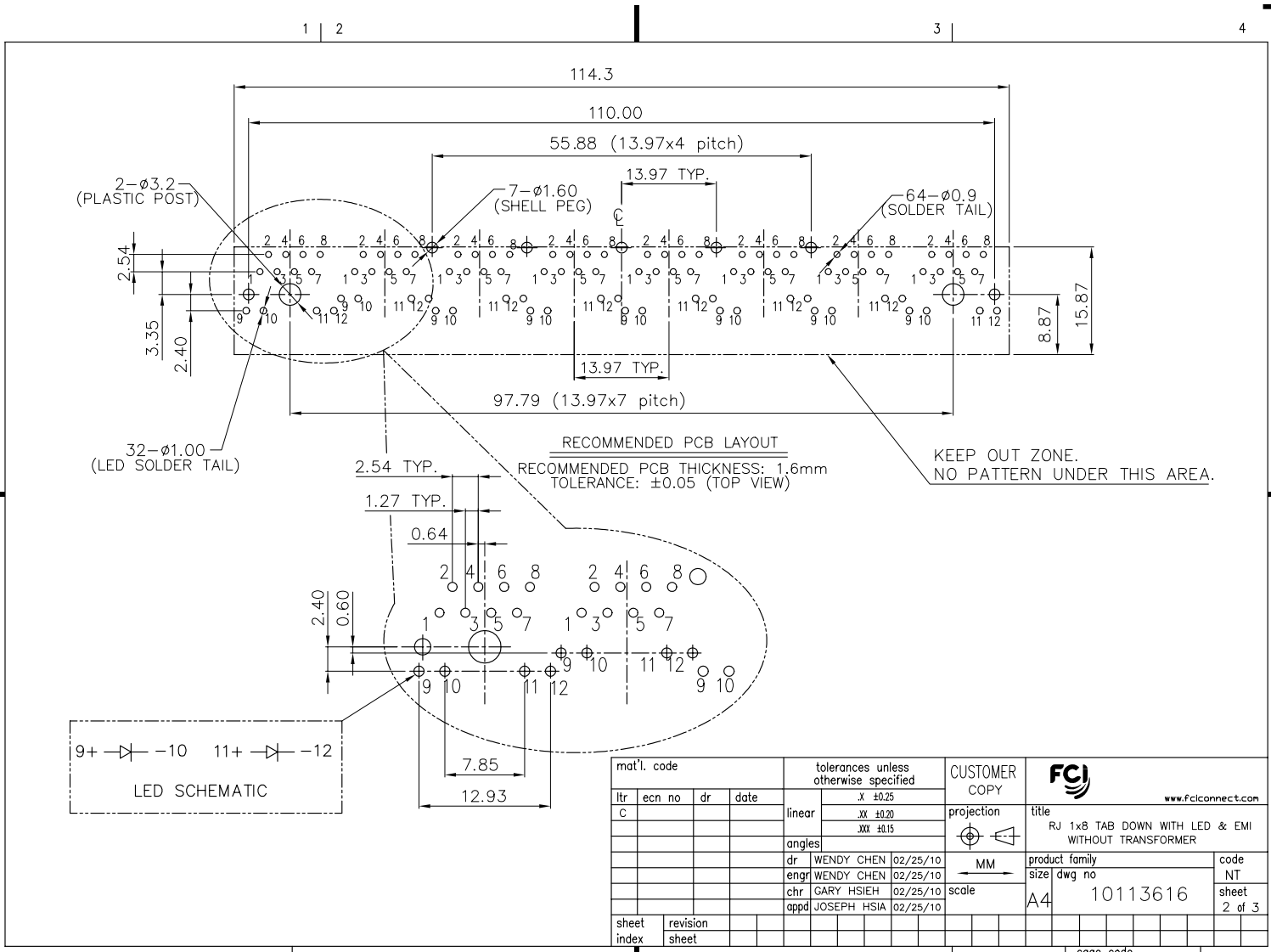
cage code 22526

Copyright FCI.





Copyright FCI.



RECOMMENDED PCB LAYOUT
 RECOMMENDED PCB THICKNESS: 1.6mm
 TOLERANCE: ±0.05 (TOP VIEW)

KEEP OUT ZONE.
 NO PATTERN UNDER THIS AREA.

mat'l. code				tolerances unless otherwise specified		CUSTOMER COPY		FCI www.fciconnect.com	
ltr	ecn no	dr	date	linear	X ±0.25	projection	title RJ 1x8 TAB DOWN WITH LED & EMI WITHOUT TRANSFORMER		
c					XX ±0.20				
				angles	XXX ±0.15	MM	product family		code
				dr	WENDY CHEN 02/25/10		size	dwg no	
				enr	WENDY CHEN 02/25/10	scale	A4		sheet
				chr	GARY HSIEH 02/25/10		10113616		2 of 3
				appd	JOSEPH HSIA 02/25/10				
sheet index	revision sheet							cage code	
								22526	

ACAD

PDS: Rev : C 3

STATUS: Released Printed: Dec 14, 2011

NOTE:

1. MATERIAL:
HOUSING: THERMOPLASTIC HIGH TEMPERATURE,
UL 94V-0, COLOR-BLACK.
INSERT HOUSING: THERMOPLASTIC HIGH TEMPERATURE,
UL 94V-0, COLOR-BLACK.
CONTACTS: COPPER ALLOY.
LED SOLDER TAIL: STEEL.
SHIELD: COPPER ALLOY.
2. FINISH:
CONTACTS: 50u" MIN. NICKEL UNDER PLATED OVER ALL.
SELECTIVE GOLD PLATED ON CONTACT AREA,
1u" GOLD PLATED ON SOLDER TAIL.
LED SOLDER TAIL: 100u" MIN. MATTE TIN OVER
50u" NICKEL UNDER PLATED.
SHELL: 20u" MIN. NICKEL OVER ALL.
3. "FCI" LOGO IS STAMPED ON THE SHIELD.
4. "DATE CODE" DESCRIPTION:
XX XX
WEEK
YEAR (EX. : 10--2010)
5. PART NUMBER DESCRIPTION:
10113616-X X X X LF
LEAD FREE
OPTIONAL GROUND SPRING
0 : WITHOUT
1 : WITH
LED COLOR
0 : WITHOUT LED
1 : LED1: GREEN / LED2:YELLOW
2 : LED1: YELLOW / LED2:GREEN
3 : LED1: GREEN / LED2:GREEN
CONTACT AREA PLATING
1 : 15u" GOLD PLATING
2 : 30u" GOLD PLATING
3 : 50u" GOLD PLATING
4 : 6u" GOLD PLATING
5 : 1u" GOLD FLASH PLATING
ELECTRICAL CIRCUIT
01: SEE FIGURE 1

6. PRODUCT PERFORMANCE PER SPEC. : GS-12-0990.
7. PACKING SPEC. : GS-14-1503.
8. THIS PRODUCT MEETS THE EUROPEAN UNION DIRECTIVE AS DESCRIBED
IN GS-22-008.
9. THE HOUSING WILL WITHSTAND EXPOSURE TO 265°C PEAK TEMPERATURE
FOR 5 SECONDS IN A WAVE SOLDER APPLICATION WITH A CIRCUIT BOARD.

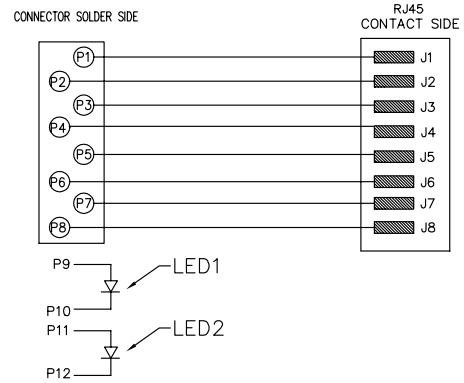


FIGURE 1

Copyright FCI.

mat'l. code				tolerances unless otherwise specified		CUSTOMER COPY		FCI www.fciconnect.com	
ltr	ecn no	dr	date	linear	X ±0.25	projection	title RJ 1x8 TAB DOWN WITH LED & EMI WITHOUT TRANSFORMER		
C					XX ±0.20		product family size dwg no		
					XXX ±0.15				
				angles		MM	code NT		
				dr	WENDY CHEN 02/25/10	scale	A4 10113616		
				enrg	WENDY CHEN 02/25/10		sheet 3 of 3		
				chr	GARY HSIEH 02/25/10				
				appd	JOSEPH HSIA 02/25/10				
sheet index	revision sheet								