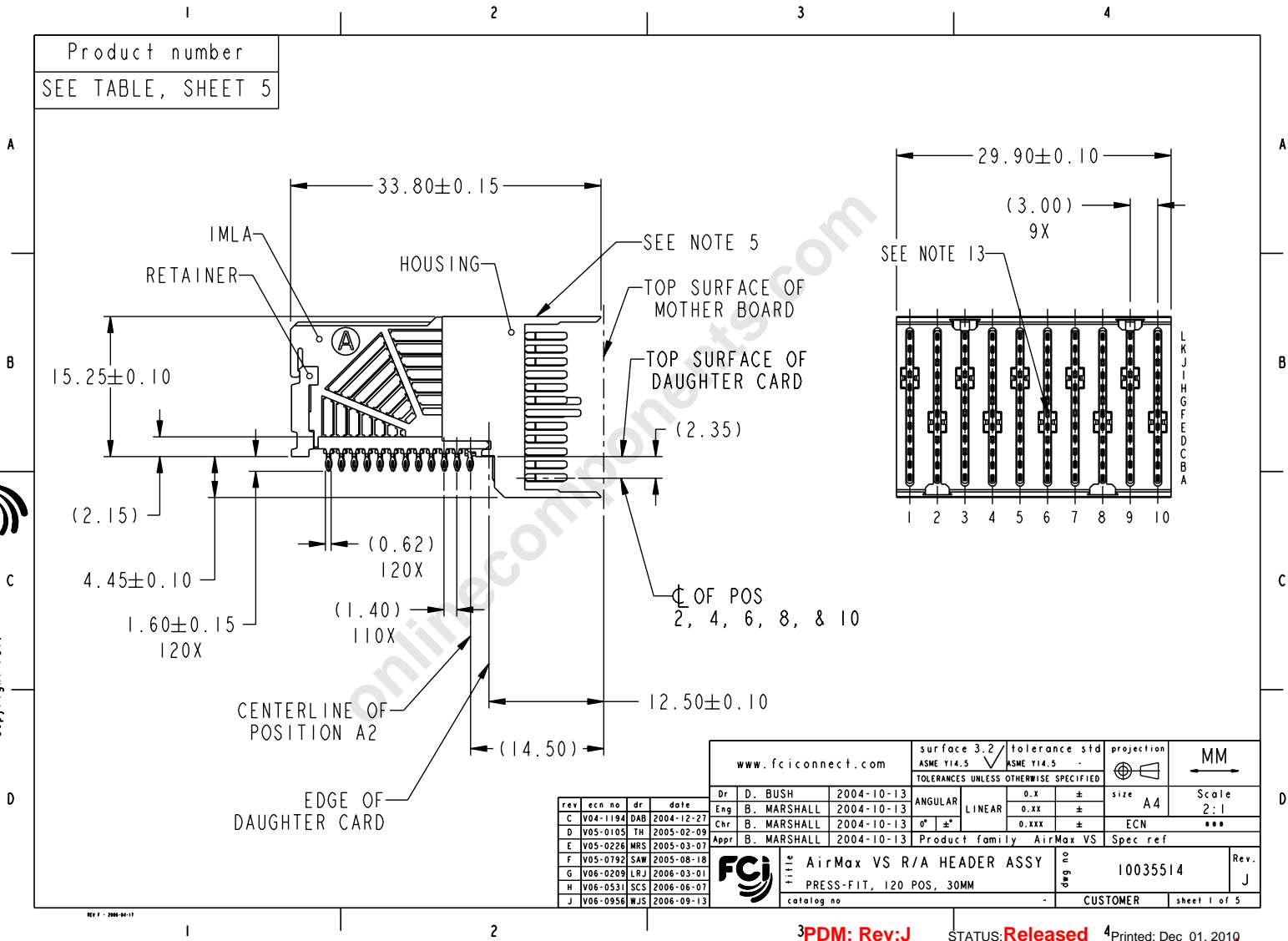


Product number
SEE TABLE, SHEET 5



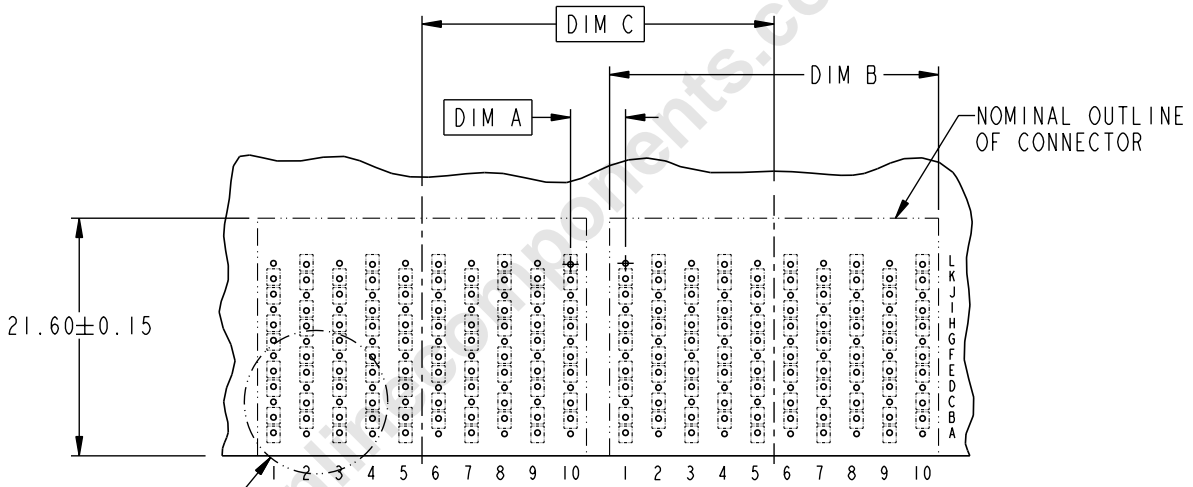
rev	ecn no	dr	date
C	V04-1194	DAB	2004-12-27
D	V05-0105	TH	2005-02-09
E	V05-0226	MRS	2005-03-07
F	V05-0792	SAW	2005-08-18
G	V06-0209	LRJ	2006-03-01
H	V06-0531	SCS	2006-06-07
J	V06-0956	WJS	2006-09-13

www.fciconnect.com		surface 3.2 ASME Y14.5	tolerance std ASME Y14.5	projection MM	Scale 2:1
Dr. D. BUSH 2004-10-13		ANGULAR	0.x ±	size A4	ECN ***
Eng. B. MARSHALL 2004-10-13		LINEAR	0.xx ±		
Chr. B. MARSHALL 2004-10-13		0° ±	0.xxx ±		
Appr. B. MARSHALL 2004-10-13		Product family AirMax VS		Spec ref	
FCJ		AirMax VS R/A HEADER ASSY		10035514	
		PRESS-FIT, 120 POS, 30MM		Rev. J	
catalog no		CUSTOMER		sheet 1 of 5	



Copyright FCJ.

	1	2	3	4
	DESCRIPTION	DIM A	DIM B	DIM C
	2-30MM MODULES PLACED END-TO-END	3.00	29.90 2X	30.00
A	1-30MM MODULE & 1-32MM MODULE PLACED END-TO-END	4.00	29.90 1X & 31.90 1X	31.00



RECOMMENDED PCB LAYOUT
FOR DIFFERENTIAL APPLICATIONS
COMPONENT SIDE
(TWO ADJACENT FOOTPRINTS SHOWN)
NOTES 6 & 7

	title	AirMax VS R/A HEADER ASSY	draw no	10035514	Rev.	J
	catalog no	PRESS-FIT, 120 POS, 30MM	-	CUSTOMER	sheet	2 of 5

REV F - 2006-06-17

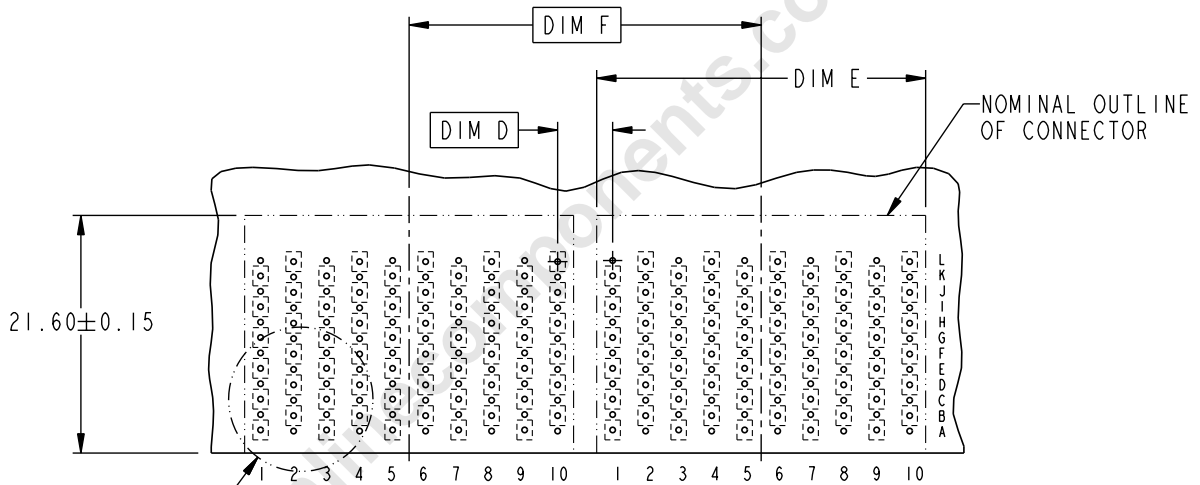
3PDM: Rev:J

STATUS:Released 4Printed: Dec 01, 2010



Copyright FCI.

	1	2	3	4
	DESCRIPTION	DIM D	DIM E	DIM F
A	2-30MM MODULES PLACED END-TO-END	3.00	29.90 2X	30.00
	1-30MM MODULE & 1-32MM MODULE PLACED END-TO-END	4.00	29.90 1X & 31.90 1X	31.00



RECOMMENDED PCB LAYOUT
FOR SINGLE ENDED APPLICATIONS
COMPONENT SIDE
(TWO ADJACENT FOOTPRINTS SHOWN)
NOTES 6 & 7

	title	AirMax VS R/A HEADER ASSY	dwg no	10035514	Rev.	J
		PRESS-FIT, 120 POS, 30MM				
	catalog no	-	CUSTOMER	sheet 3 of 5		

REV F - 2006-04-17

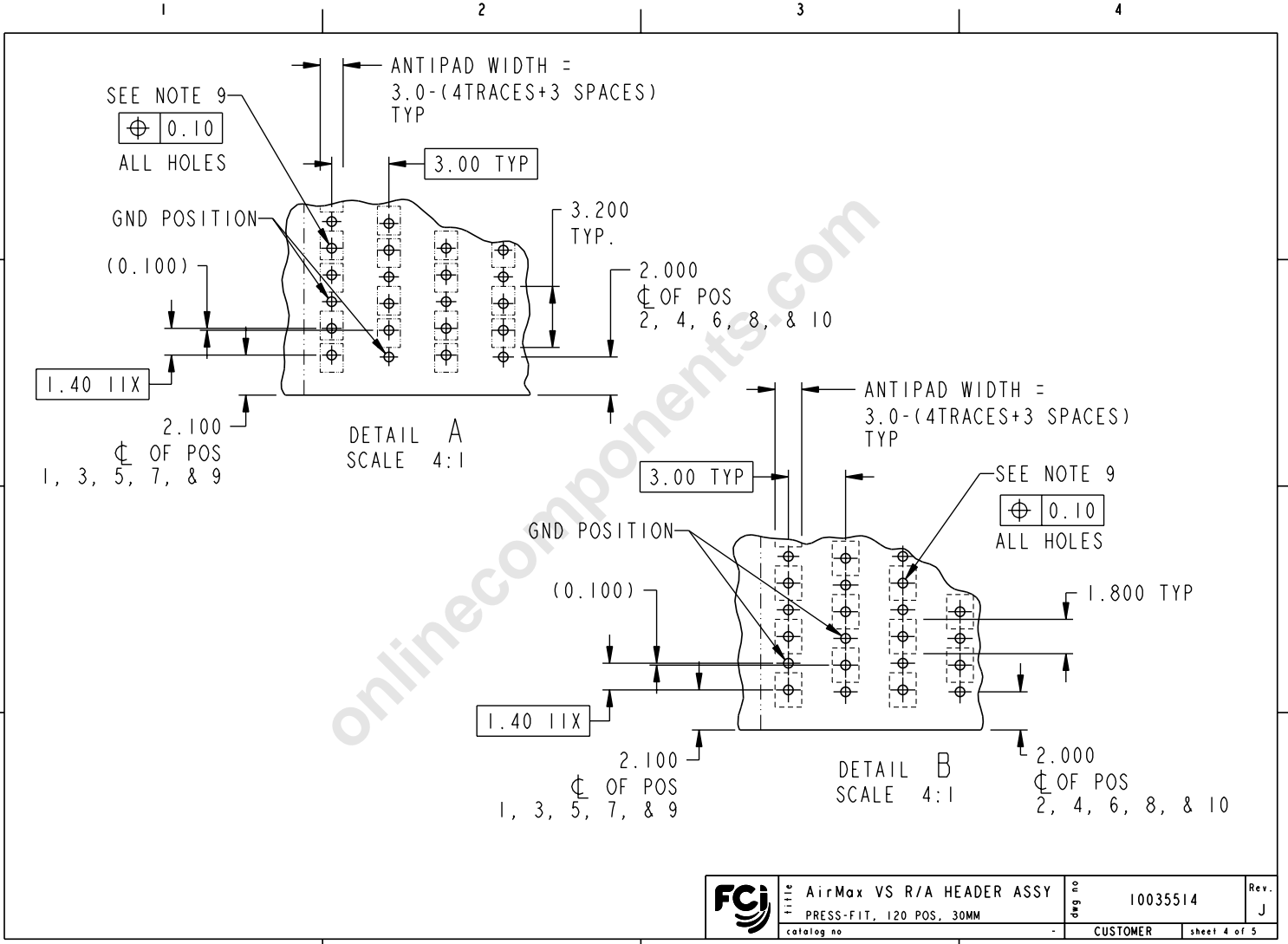
3PDM: Rev:J

STATUS:Released

4Printed: Dec 01, 2010

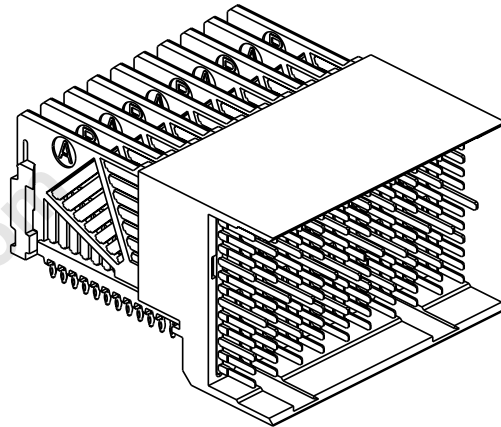


Copyright FCJ.



REV F - 2006-04-17

PART NUMBER	PRESS-FIT TAIL PLATING TYPE	SHORT DETECT CONTACT
10035514-101	TIN/LEAD ALLOY OVER NICKEL	NO
10035514-101LF	TIN OVER NICKEL (LEAD FREE)	
10035514-111	TIN/LEAD ALLOY OVER NICKEL	YES (SEE NOTE 13)
10035514-111LF	TIN OVER NICKEL (LEAD FREE)	



NOTES:

1. CONNECTOR MATERIALS:
HOUSING & RETAINER: HIGH TEMP THERMOPLASTIC, NATURAL, UL94V-0
IMLA PLASTIC: HIGH TEMP THERMOPLASTIC, BLACK, UL94V-0
CONTACT: COPPER ALLOY
2. CONTACT PLATING:
SEPARABLE INTERFACE:
PERFORMANCE-BASED PLATING, QUALIFIED TO MEET THE REQUIREMENTS OF FC1 PRODUCT SPECIFICATION GS-12-239, INCLUDING TELCORDIA GR-1217-CORE (NOVEMBER 1995) CENTRAL OFFICE
PRESS-FIT TAILS: SEE TABLE
3. PRODUCT SPECIFICATION: GS-12-239
4. APPLICATION SPECIFICATION: GS-20-035
5. PRODUCT MARKING, (PART NUMBER & LOT CODE), ON THIS SURFACE
6. REFER TO CUSTOMER DRAWING 10035911 FOR INFORMATION REGARDING PCB LAYOUT OF POWER AND GUIDE MODULES RELATIVE TO SIGNAL MODULES
7. POSITIONS F OF ODD NUMBERED COLUMNS AND POSITIONS G OF EVEN NUMBERED COLUMNS CORRESPOND TO EARLY MATE HEADER PINS
8. THERE IS NO GROUND BUSSING WITHIN THE CONNECTOR SYSTEM
9. REFER TO CUSTOMER DRAWING 10045979 FOR INFORMATION ON PCB HOLE DIAMETERS AND PLATING OPTIONS.
10. THIS PRODUCT MEETS EUROPEAN UNION DIRECTIVES AND OTHER COUNTRY REGULATIONS AS DESCRIBED IN GS-22-008.
11. THE HOUSING WILL WITHSTAND EXPOSURE TO 260°C PEAK TEMPERATURE FOR 40 SECONDS IN A CONVECTION, INFRA-RED OR VAPOR PHASE REFLOW OVEN.
12. PACKAGING MEETS GS-14-920 LEAD FREE LABELING SPECIFICATION.
13. MATING PIN F6 HAS 0.5mm LESS NOMINAL WIPE THAN THE SHORTEST SIGNAL PIN.

	AirMax VS R/A HEADER ASSY	10035514	Rev. J
	PRESS-FIT, 120 POS, 30MM	CUSTOMER	sheet 5 of 5