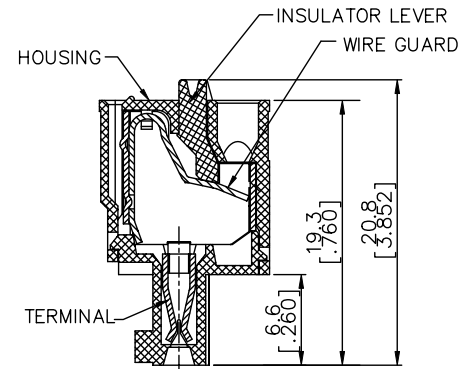
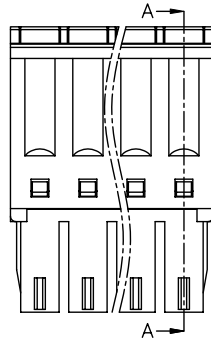
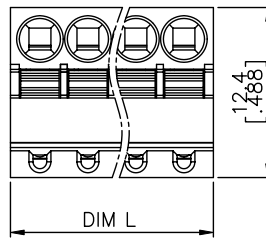


PRODUCT NUMBER	SERIES NAME	PITCH
20020039-CXXXXXLF	35-350	3.50 mm

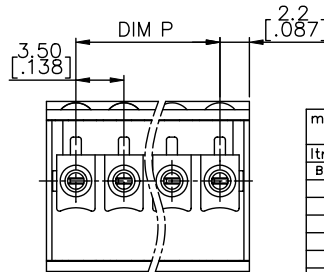
N = Number of poles
 DIM. L = (N x 3.5 [.138]) + 0.8 [.031]
 DIM. P = (N - 1) x 3.5 [.138]

POLES	DIM. L & P
2-6p	±0.10 [.004]
7-12p	±0.15 [.006]
13-18p	±0.20 [.008]
19-24p	±0.30 [.012]



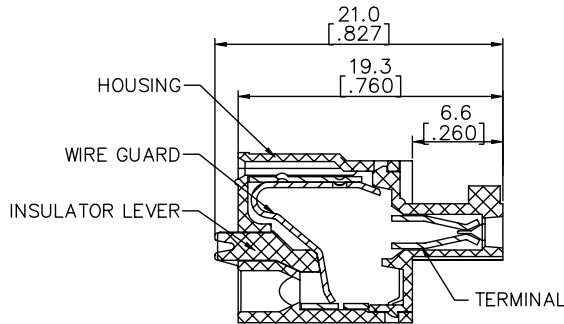
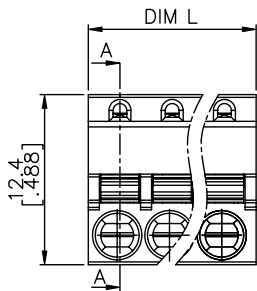
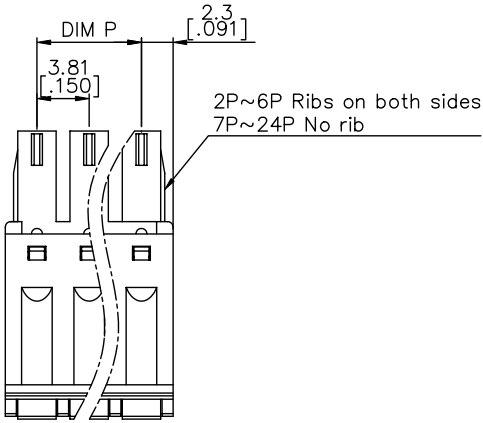
SECTION A-A

2P~6P Ribs on both sides
 7P~24P No rib



mat'l. code	surface ASME Y14.5	tolerance ASME Y14.5	projection	product family
ltr	ecn	no	dr	date
B				
tolerances unless otherwise specified				title
angles	X.±0.5	MM	TERMINAL BLOCK	
X±1°	X.X±0.3	[INCH]	PLUGGABLE SIGNAL PLUG, MIDDLESIDE CONTACT	
	X.XX±0.1	scale	WITHOUT FLANGE	
dr	WENDY CHEN	122710	FCI	dwg no
enr	JASON HSU	122710		20020039
chr	JASON HSU	122710		sheet 2 of 4
appd	JASON HSU	122710		size A4
sheet index	revision sheet			type CUSTOMER Drawing

PRODUCT NUMBER	SERIES NAME	PITCH
20020039-DXXXXXXLF	35-381	3.81 mm



N = Number of poles
 DIM. L = (N x 3.81 [.150]) + 0.8 [.031]
 DIM. P = (N - 1) x 3.81 [.150]

POLES	DIM. L	DIM. P
2-6p	±0.20 [.008]	±0.20 [.008]
7-12p	±0.25 [.010]	±0.25 [.010]
13-18p	±0.30 [.012]	±0.30 [.012]
19-24p	±0.40 [.016]	±0.35 [.014]

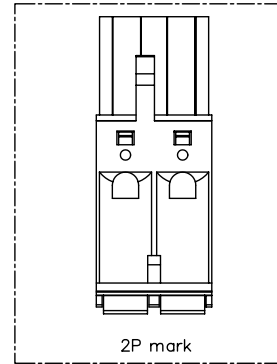
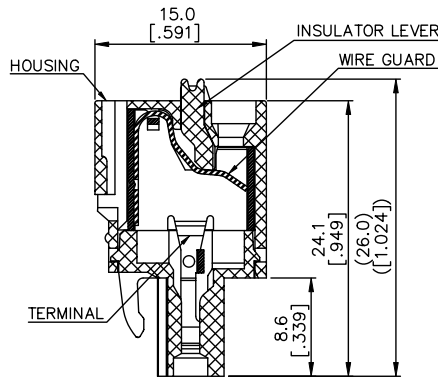
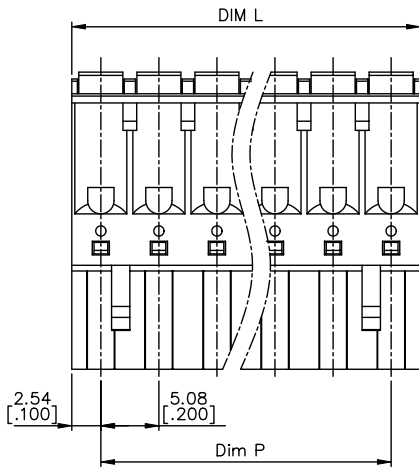
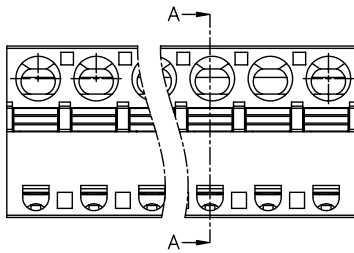
SECTION A-A

mat'l. code	surface ASME Y14.5	tolerance ASME Y14.5	projection	product family TERMINAL BLOCK
ltr	ecn	no	dr	date
B				
tolerances unless otherwise specified				title TERMINAL BLOCK PLUGGABLE SIGNAL PLUG, MIDDLESIDE CONTACT WITHOUT FLANGE
angles	MM	[INCH]	scale	
X ± 1°	X ± 0.5	X.X ± 0.3	X.XX ± 0.1	
dr	WENDY CHEN	122710		dwg no
enr	JASON HSU	122710		sheet 3 of 4
chr	JASON HSU	122710		size 20020039 A4
appd	JASON HSU	122710		type CUSTOMER Drawing
sheet index	revision sheet			

PRODUCT NUMBER	SERIES NAME	PITCH
20020039-HXXXXXXLF	35-508	5.08 mm

N = Number of poles
 DIM. L = (N x 5.08) [.200]
 DIM. P = (N - 1) x 5.08 [.200]

POLES	DIM. L	DIM. P
2-6p	±0.15 [.006]	
7-12p	±0.20 [.010]	
13-16p	±0.30 [.012]	
17-24p	±0.40 [.016]	



mat'l. code		surface ASME Y14.5	tolerance ASME Y14.5	projection	product family TERMINAL BLOCK
ltr	ecn no	dr	date	tolerances unless otherwise specified	title
B				angles $X \pm 0.5$ $X.X \pm 0.3$ $X \pm 1$ $X.XX \pm 0.1$	TERMINAL BLOCK PLUGGABLE SIGNAL PLUG, MIDDLESIDE CONTACT WITHOUT FLANGE
dr		WENDY CHEN 122710		MM [INCH]	dwg no
enrg		JASON HSU 122710		scale	sheet 4 of 4 size
chr		JASON HSU 122710			20020039
appd		JASON HSU 122710			type
sheet index	revision sheet				CUSTOMER Drawing