

Copyright FCI

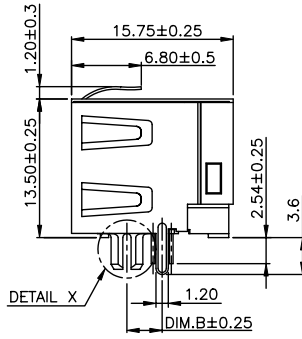
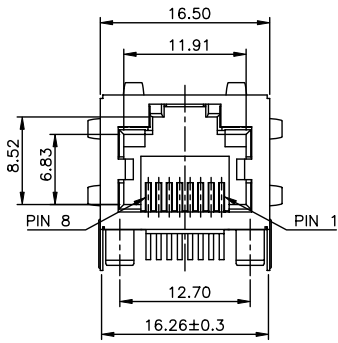
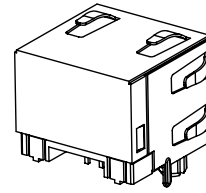
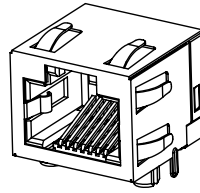
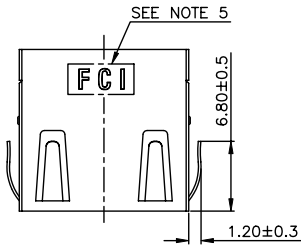
**FCI**  
FCIconnect.com

1 | 2

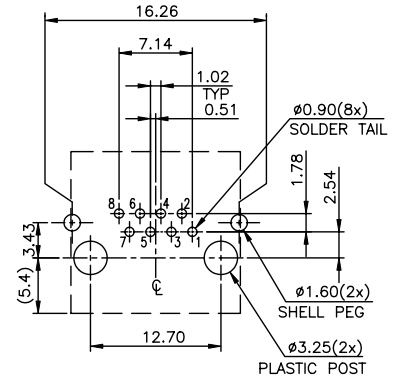
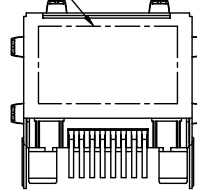
3 |

4

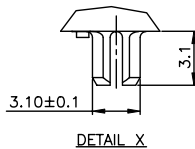
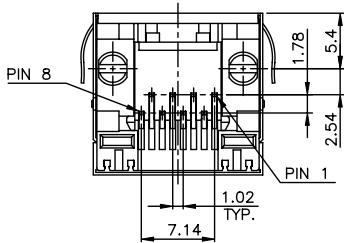
PART NUMBER	DIM.B
10117863-XXX6XXXLF	3.43



PRINT P/N & DATRE CODE  
(SEE NOTE 6)



RECOMMENDED PCB LAYOUT  
PCB THICKNESS: 1.0mm  
TOLERANCE: ±0.05mm (TOP VIEW)



mat'l. code		surface	tolerance	projection	product family
itr ecn no dr date		ASME Y14.5	ASME Y14.5	MM	
A WL 07/28/11		tolerances unless otherwise specified			title
B T-005362 WL 08/26/11		angles	X.X±0.25		MODULAR JACK, TAP UP DIP TYPE WITH SHIELD
		radius	X.XX±0.20		
		X'±1"	X.XXX±0.15	scale	
		dr	WENDY CHEN 03/24/11	<b>FCI</b>	dwg no
		enr	WENDY CHEN 03/24/11		sheet 1 of 2
		chr	WENDY CHEN 03/24/11		10117863
		appd	GARY HSIEH 03/24/11		A4
sheet index	revision sheet	B	B	1	2
				type	CUSTOMER Drawing

form: A4mmXLc

1 |

2 |

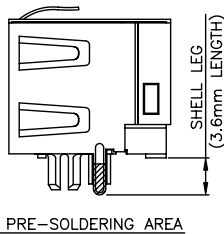
PDS: Rev :B.3 |

STATUS:Released

Printed: Aug 24, 2011

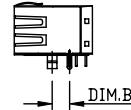
NOTES:

1. MATERIAL:  
HOUSING: HIGH TEMPERATURE THERMOPLASTIC, UL94V-0, COLOR:BLACK.  
CONTACTS: COPPER ALLOY.  
SHIELD: COPPER ALLOY.
2. FINISH:  
CONTACTS: 50u" MIN. NICKEL UNDER PLATED OVER ALL. SELECTIVE GOLD PLATED ON CONTACT AREA, 100u" MIN. MATTE TIN PLATED ON SOLDER TAIL.  
SHIELD: 20u" MIN. NICKEL PLATED OVER ALL. PRE-SOLDERING(PURE TIN) ON SHELL GROUNDING LEGS.
3. PRODUCT PERFORMANCE PER SPEC. : GS-12-0947.
4. PACKING SPEC. : GS-14-2113.
5. LASER MARK FCI LOGO ON THE TOP OF SHIELD.
6. "DATE CODE" DESCRIPTION:  
XX XX  
    |  
    |----- WEEK  
    |  
    |----- YEAR (EX. : 10--2010)
7. THIS PRODUCT MEETS THE EUROPEAN UNION DIRECTIVE AS DESCRIBED IN GS-22-008.
8. THE HOUSING WILL WITHSTAND EXPOSURE TO 260° PEAK TEMPERATURE FOR 10 SECONDS IN A CONVECTION, INFRA-RED OR VAPOR PHASE REFLOW OVEN.



9. PART NUMBER DESCRIPTION:

- 10117863-X X X X X X X LF
- LEAD FREE
  - 0 : RESERVED (NOT USED)
  - PACKAGING
    - 1 : TRAY
    - 2 : TAPE & REEL
  - OPTIONAL BACK SHIELD TAB
    - 0 : WITHOUT BACK SHIELD TAB
  - OPTIONAL RIGHT/LEFT SHIELD TAB
    - 6 : DIM.B=3.43
  - OPTIONAL PANEL GROUND
    - 3 : TOP/RIGHT/LEFT 3 SIDES WITH PANEL GROUND
  - LED COLOR
    - 0 : WITHOUT LED
  - CONTACT AREA PLATING
    - 1 : 15u" GOLD PLATING
    - 2 : 30u" GOLD PLATING
    - 5 : 1u" GOLD FLASH PLATING



mat'l. code		surface ASME Y14.5		tolerance ASME Y14.5		projection		product family	
ltr	ecn no	dr	date	tolerances unless otherwise specified		title		MODULAR JACK, TAP UP DIP TYPE WITH SHIELD	
B				angles	X.X±0.25	MM		dwg no	
				B	X.XX±0.20	←		sheet 2 of 2	
				E	X.XXX±0.15	scale		size	
				X±1		FCI		A4	
				dr	WENDY CHEN 03/24/11			10117863	
				enr	WENDY CHEN 03/24/11			CUSTOMER Drawing	
				chr	WENDY CHEN 03/24/11				
				appd	GARY HSIEH 03/24/11				
sheet index	revision sheet								