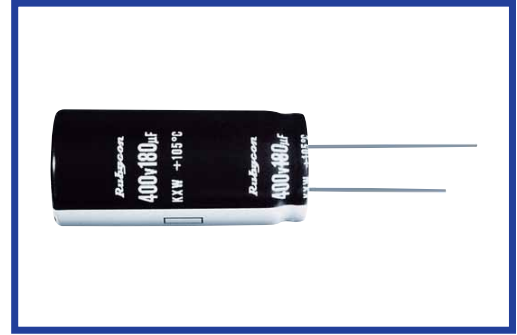


KXW SERIES

105°C Miniaturized

◆FEATURES

- Load Life : 105°C 2000 hours.
- Body diameter of φ10mm to φ18mm with high ripple current capability.
- For switching adapter.
- RoHS compliance.



◆SPECIFICATIONS

Items	Characteristics				
Category Temperature Range	-25~+105°C				
Rated Voltage Range	200, 400, 420, 450V.DC				
Capacitance Tolerance	±20%(20°C,120Hz)				
Leakage Current(MAX)	$I=3\sqrt{CV}$ (After 5 minutes application of rated voltage) I =Leakage Current(μA) C =Capacitance(μF) V =Rated Voltage(V)				
(tanδ) Dissipation Factor(MAX)	Rated Voltage (V)	200	400	420~450	(20°C,120Hz)
	tanδ	0.12	0.15	0.20	
Endurance	After applying rated voltage with rated ripple current for 2000 hours at 105°C, the capacitors shall meet the following requirements.				
	Capacitance Change	Within ±20% of the initial value.			
	Dissipation Factor	Not more than 200% of the specified value.			
	Leakage Current	Not more than the specified value.			
Low Temperature Stability Impedance Ratio(MAX)	Rated Voltage (V)	200	400~450	(120Hz)	
	Z(-25°C)/Z(20°C)	3	8		

◆MULTIPLIER FOR RIPPLE CURRENT

Frequency Coefficient

Frequency (Hz)		60(50)	120	500	1k	10k≤
Coefficient	200WV	0.8	1.0	1.20	1.30	1.40
	400~450WV	0.8	1.0	1.25	1.40	1.50

◆OPTION

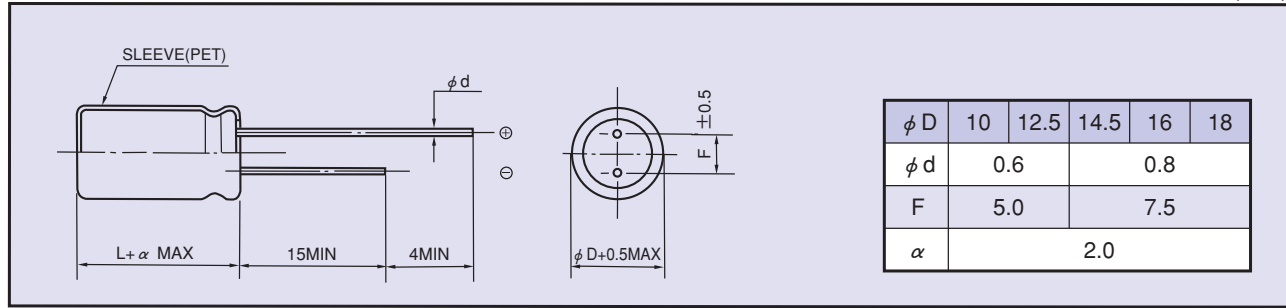
	Code
PET Sleeve	EFC

◆PART NUMBER

□□□ / KXW / □□□□□ / M / □□□ / □□ / DXL
 Rated Voltage Series Capacitance Capacitance Tolerance Option Lead Forming Case Size

◆ DIMENSIONS

(mm)



◆ STANDARD SIZE

Rated Voltage (V.DC)	Capacitance (μF)	Size $\phi D \times L$ (mm)	Rated Ripple Current (A r.m.s.105°C,120Hz)	Rated Voltage (V.DC)	Capacitance (μF)	Size $\phi D \times L$ (mm)	Rated Ripple Current (A r.m.s.105°C,120Hz)
200	82	10×30	0.40	420	22	10×30	0.20
	100	10×35	0.46		27	10×35	0.23
	120	10×40	0.53		33	10×40	0.27
	150	12.5×30	0.62		39	12.5×30	0.31
	180	12.5×35	0.70		47	12.5×35	0.36
	220	12.5×40	0.80		56	12.5×40	0.43
	220	14.5×30	0.80		56	14.5×30	0.43
	270	14.5×35	0.87		68	14.5×35	0.51
	270	16×30	0.87		68	16×30	0.51
	330	16×35	1.01		82	14.5×40	0.57
	330	18×30	1.01		82	16×35	0.57
	390	16×40	1.13		100	16×40	0.61
	390	18×35	1.13		100	18×30	0.61
	470	18×40	1.27		120	18×35	0.66
560	18×45	1.39	150	18×40	0.71		
400	27	10×30	0.24	450	18	10×30	0.18
	33	10×35	0.28		22	10×35	0.21
	39	10×40	0.32		27	10×40	0.25
	47	12.5×30	0.37		33	12.5×30	0.28
	56	12.5×35	0.42		39	12.5×35	0.32
	68	12.5×40	0.48		47	12.5×40	0.38
	68	14.5×30	0.48		47	14.5×30	0.38
	82	14.5×35	0.52		56	14.5×35	0.44
	100	14.5×40	0.58		56	16×30	0.44
	100	16×30	0.58		68	14.5×40	0.49
	120	16×35	0.67		68	16×35	0.49
	120	18×30	0.67		82	16×40	0.55
	150	16×40	0.77		82	18×30	0.55
	150	18×35	0.77		100	18×35	0.65
180	18×40	0.88	120	18×40	0.74		
220	18×45	1.00	150	18×45	0.80		