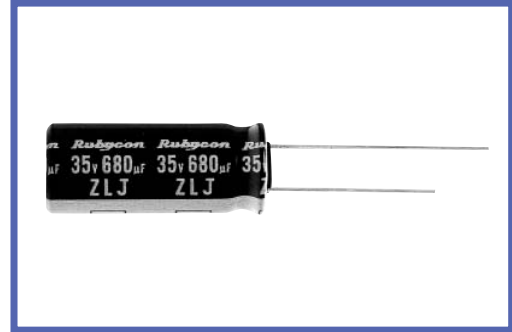


ZLJ SERIES

105°C Miniaturized, Long Life, Low impedance, High ripple.

◆FEATURES

- Load Life : 105°C 7000~10000hours.
- RoHS compliance



◆SPECIFICATIONS

Items	Characteristics																					
Category Temperature Range	-40~+105°C																					
Rated Voltage Range	10~50V.DC																					
Capacitance Tolerance	±20% (20°C, 120Hz)																					
Leakage Current(MAX)	I=0.01CV or 3 µA whichever is greater. (After 2 minutes) I=Leakage Current(µA) C=Rated Capacitance(µF) V=Rated Voltage(V)																					
(tanδ) Dissipation Factor(MAX)	<table border="1"> <tr> <td>Rated Voltage (V)</td> <td>10</td> <td>16</td> <td>25</td> <td>35</td> <td>50</td> <td>(20°C, 120Hz)</td> </tr> <tr> <td>tan δ</td> <td>0.19</td> <td>0.16</td> <td>0.14</td> <td>0.12</td> <td>0.10</td> <td></td> </tr> </table> <p>When nominal capacitance is over 1000 µF, tan δ shall be added 0.02 to the listed value with increase of every 1000 µF.</p>	Rated Voltage (V)	10	16	25	35	50	(20°C, 120Hz)	tan δ	0.19	0.16	0.14	0.12	0.10								
Rated Voltage (V)	10	16	25	35	50	(20°C, 120Hz)																
tan δ	0.19	0.16	0.14	0.12	0.10																	
Endurance	<p>After life test with rated ripple current at conditions stated in the table below, the capacitors shall meet the following requirements.</p> <table border="1"> <tr> <td>Capacitance Change</td> <td>Within ±25% of the initial value.(10V: ±30%)</td> <td>Case Size</td> <td>Life Time (hrs)</td> </tr> <tr> <td>Dissipation Factor</td> <td>Not more than 200% of the specified value.</td> <td>5×11,6.3×11</td> <td>7000</td> </tr> <tr> <td>Leakage Current</td> <td>Not more than the specified value.</td> <td>8×11.5,10×12.5</td> <td>9000</td> </tr> <tr> <td></td> <td></td> <td>8×16,8×20</td> <td>10000</td> </tr> <tr> <td></td> <td></td> <td>10×16,10×20,10×25</td> <td></td> </tr> </table>	Capacitance Change	Within ±25% of the initial value.(10V: ±30%)	Case Size	Life Time (hrs)	Dissipation Factor	Not more than 200% of the specified value.	5×11,6.3×11	7000	Leakage Current	Not more than the specified value.	8×11.5,10×12.5	9000			8×16,8×20	10000			10×16,10×20,10×25		
Capacitance Change	Within ±25% of the initial value.(10V: ±30%)	Case Size	Life Time (hrs)																			
Dissipation Factor	Not more than 200% of the specified value.	5×11,6.3×11	7000																			
Leakage Current	Not more than the specified value.	8×11.5,10×12.5	9000																			
		8×16,8×20	10000																			
		10×16,10×20,10×25																				
Low Temperature Stability Impedance Ratio(MAX)	<table border="1"> <tr> <td>Rated Voltage (V)</td> <td>10</td> <td>16</td> <td>25</td> <td>35</td> <td>50</td> <td>(120Hz)</td> </tr> <tr> <td>Z(-25°C)/Z(20°C)</td> <td>2</td> <td>2</td> <td>2</td> <td>2</td> <td>2</td> <td></td> </tr> <tr> <td>Z(-40°C)/Z(20°C)</td> <td>3</td> <td>3</td> <td>3</td> <td>3</td> <td>3</td> <td></td> </tr> </table>	Rated Voltage (V)	10	16	25	35	50	(120Hz)	Z(-25°C)/Z(20°C)	2	2	2	2	2		Z(-40°C)/Z(20°C)	3	3	3	3	3	
Rated Voltage (V)	10	16	25	35	50	(120Hz)																
Z(-25°C)/Z(20°C)	2	2	2	2	2																	
Z(-40°C)/Z(20°C)	3	3	3	3	3																	

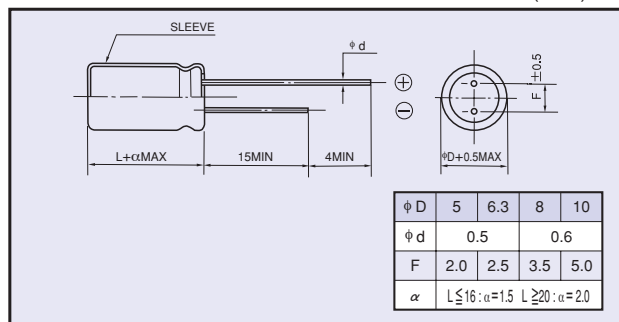
◆MULTIPLIER FOR RIPPLE CURRENT

Frequency coefficient

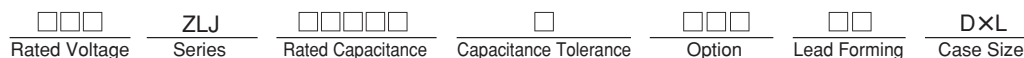
Frequency (Hz)		120	1k	10k	100k ≤
Coefficient	27 µF	0.42	0.70	0.90	1.00
	47~270 µF	0.50	0.73	0.92	1.00
	330~680 µF	0.55	0.77	0.94	1.00
	820~1800 µF	0.60	0.80	0.96	1.00
	2200 µF	0.70	0.85	0.98	1.00

◆DIMENSIONS

(mm)



◆PART NUMBER



◆ STANDARD SIZE

Rated Voltage (V·DC)	Rated capacitance (μF)	Size φ D×L(mm)	Rated ripple current (mA r.m.s./105°C, 100kHz)	Impedance(ΩMAX)	
				20°C, 100kHz	-10°C, 100kHz
10 (1A)	150	5×11	450	0.40	1.2
	330	6.3×11	700	0.17	0.51
	560	8×11.5	1200	0.075	0.23
	680	8×16	1600	0.059	0.18
	820	10×12.5	1700	0.053	0.16
	1000	8×20	1960	0.041	0.13
	1200	10×16	2000	0.038	0.12
	1800	10×20	2500	0.028	0.084
16 (1C)	120	5×11	450	0.40	1.2
	270	6.3×11	700	0.17	0.51
	470	8×11.5	1200	0.075	0.23
	560	8×16	1600	0.059	0.18
	680	10×12.5	1700	0.053	0.16
	820	8×20	1960	0.041	0.13
	1000	10×16	2000	0.038	0.12
	1500	10×20	2500	0.028	0.084
25 (1E)	68	5×11	450	0.40	1.2
	150	6.3×11	700	0.17	0.51
	330	8×11.5	1200	0.075	0.23
	390	8×16	1600	0.059	0.18
	470	10×12.5	1700	0.053	0.16
	560	8×20	1960	0.041	0.13
	680	10×16	2000	0.038	0.12
	1000	10×20	2500	0.028	0.084
35 (1V)	47	5×11	450	0.40	1.2
	100	6.3×11	700	0.17	0.51
	180	8×11.5	1200	0.075	0.23
	220	8×16	1600	0.059	0.18
	270	10×12.5	1700	0.053	0.16
	330	8×20	1960	0.041	0.13
	390	10×16	2000	0.038	0.12
	560	10×20	2500	0.028	0.084
50 (1H)	27	5×11	310	0.48	1.5
	56	6.3×11	500	0.22	0.66
	100	8×11.5	950	0.12	0.36
	120	8×16	1230	0.082	0.25
	150	10×12.5	1280	0.073	0.22
	180	8×20	1580	0.058	0.18
	220	10×16	1650	0.053	0.16
	330	10×20	2060	0.038	0.12
390	10×25	2420	0.032	0.10	