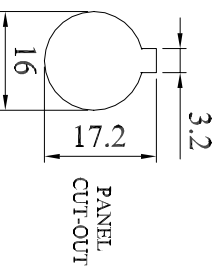
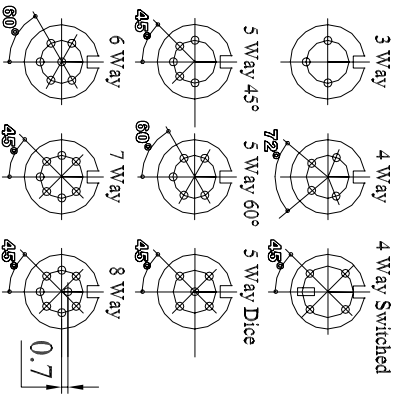
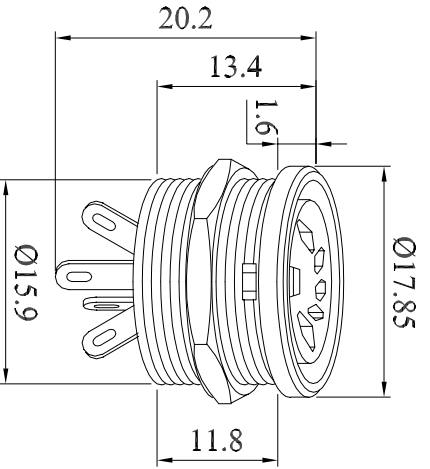


A range of professional chassis mounting sockets, designed for panel mounting via a single hexagonal turned brass nut. These sockets incorporate an anti-rotational locating spigot, and mate with all standard lockable plugs.

Material	Brass,
Housing	nickel plated
Moulding	Noryl SE1
Contacts	Brass,
	silver plated
Nut	Brass,
	nickel plated

Dimensions



Type	Deltron No	RS No.
3 Way	650-0300	478-627
4 Way	650-0400	476-277
4 Way Switched	650-0410	
5 Way 45°	650-0500	478-633
5 Way 60°	650-0510	478-649
5 Way Dice	650-0520	476-283
6 Way	650-0600	478-655
7 Way	650-0700	478-661
8 Way	650-0800	476-299

CONVERTED FROM PS0460 ISS3 (02.03.94) IN JAN 2003

DrngNo 650 SERIES

TITLE PROFESSIONAL CIRCULAR CHASSIS SOCKET (NICKEL)

ALL DIMENSIONS IN MM
ANGLES IN DECIMAL DEGREES



DELTRON Components

ES 3

GENERAL SPECIFICATION
FOR 650 SERIES

CUSTOMER

FILTER REF

Aprvd Date 27/01/03

Aprvd By MC

Drwn by BFS

Scale: NTS

Sheet 1 / 1

© Deltron Emcon Limited E-Mail components@deltron-emcon.com, Website www.deltron-emcon.com, Phone +44 1724 273200 Fax +44 1724 270230

DELTRON Emcon