

A range of professional chassis mounting sockets, designed for panel mounting via two flange fixing screws. These sockets mate with all standard DIN plugs, but are specifically designed for the Ring Lock Plug Range (592 SERIES), with a quick and simple quarter-turn of the locking ring to secure the plug in place. Can be colour coded via an interchangeable plastic ring, available in six colours.

MATERIALS
HOUSING

: Mazak,

Bright Nickel Plated

MOULDING

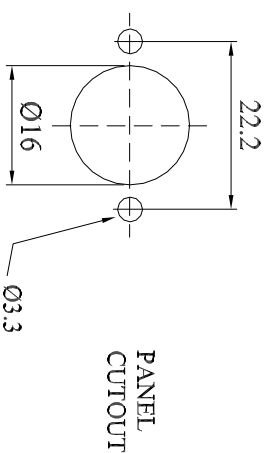
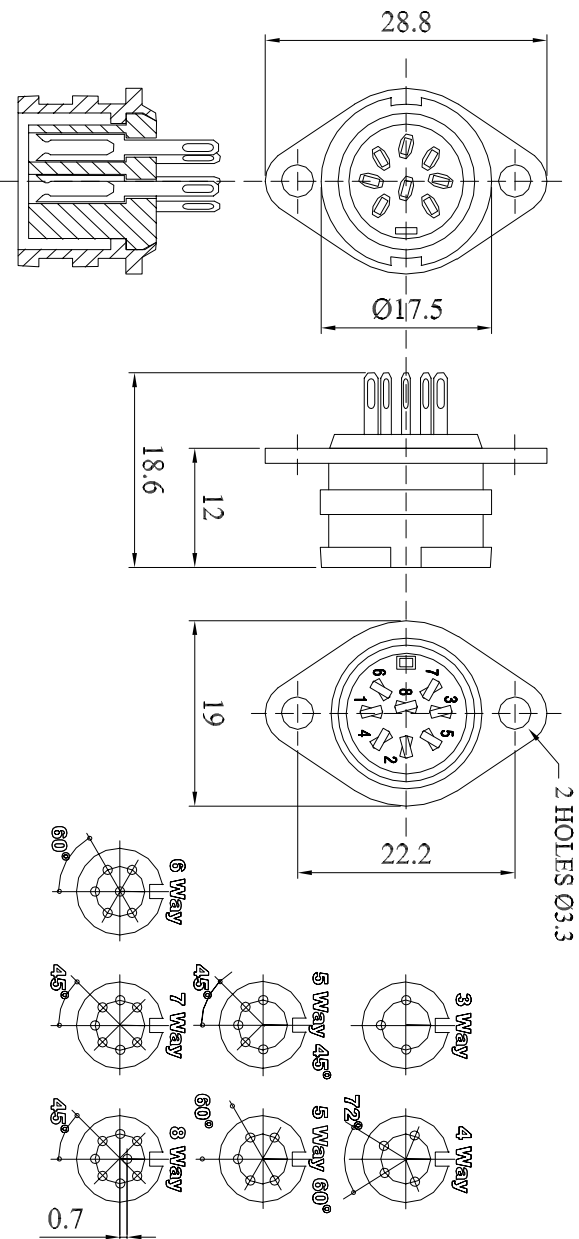
: NORYL SE1

CONTACTS

: Brass,

Silver Plated

Dimensions



Type	Deltron No
3 Way	593-0300
4 Way	593-0400
5 Way 45°	593-0500
5 Way 60°	593-0510
6 Way	593-0600
7 Way	593-0700
8 Way	593-0800

CONVERTED FROM PS0810 ISS3 (19.06.96) IN JAN 2003

DrngNo 593 SERIES

TITLE RING LOCK DIN CONNECTORS CHASSIS SOCKET

ALL DIMENSIONS IN MM
ANGLES IN DECIMAL DEGREES

DELTRON Components

ISS 3

GENERAL SPECIFICATION
FOR 593 SERIES

CUSTOMER

Aprvd Date 10/02/03

Aprvd By MC

FILTER REF

Scale: NTS

Sheet 1 / 1

© Deltron Emcon Limited E-Mail components@deltron-emcon.com, Website www.deltron-emcon.com, Phone +44 1724 273200 Fax +44 1724 270230

DELTRON Emcon