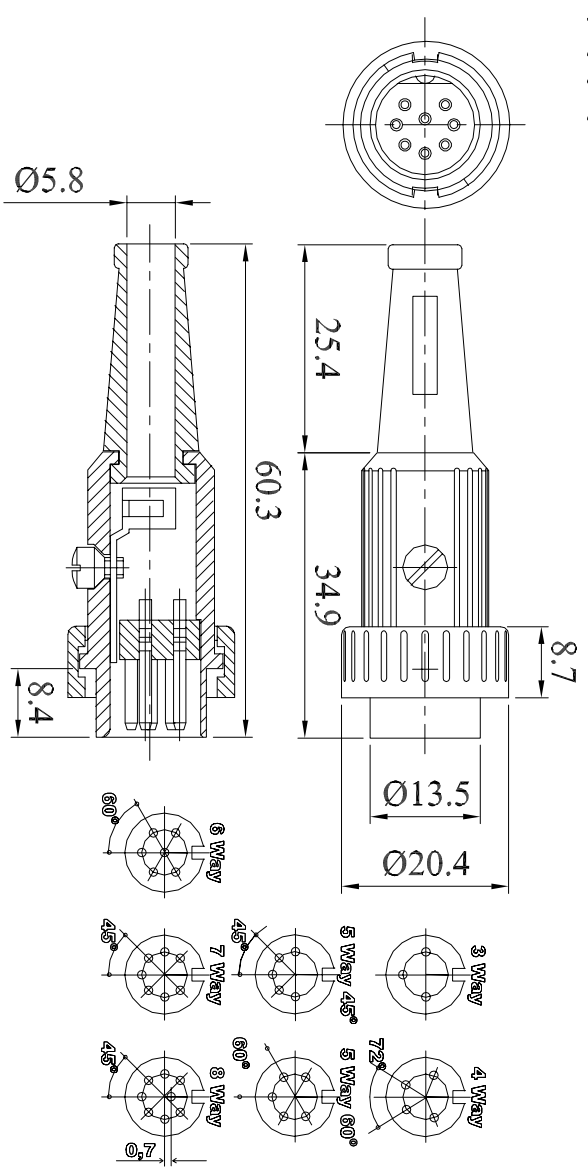


A fully screened robust range of DIN connectors for use in instrumentation and audio applications. Available in bright nickel finish with an interchangeable black plastic locking ring. Five other colours are available (sold separately). A simple half turn of the ring secures the plug onto the mating panel socket (which can also be colour coded). Robust construction incorporating cable grip and strain relief. Manufactured to DIN 41524, 45322, 45326, 45327 and 45329.

- MATERIALS**  
**HOUSING** : Zinc Alloy  
 : bright nickel plate  
**MOULDING** : Nylon  
**LOCKING RING** : Polyester, black  
**CONTACTS** : Brass  
 : silver Plated  
**CABLE CLAMP** : Mild Steel  
 : zinc plated  
**GROMMET** : Black P.V.C.  
**MECHANICAL OPERATIONS** : 10,000 (locking ring)  
 (@ 0,5 Nm torque)

- ELECTRICAL RATINGS**  
**Working Voltage** 100 Vd.c. or a.c. peak  
**Test Voltage** 1000 Vd.c.  
**Insulation Resist.** 10<sup>11</sup> Ω min at 100 Vd.c.  
**Current Rating** 4 A  
**Contact Resist.** 10 m Ω max  
**Capacity (mated)** 3 pF  
**Temp. Range** -250C to +700C

**Dimensions**



Type	Delttron No
3 Way	592-0301
4 Way	592-0401
5 Way 45°	592-0501
5 Way 60°	592-0511
6 Way	592-0601
7 Way	592-0701
8 Way	592-0801

CONVERTED FROM PS0808 ISS3 (19.06.96) IN JAN 2003  
 DrgNo 592 SERIES TITLE RING LOCK DIN CONNECTORS STANDARD PLUG ALL DIMENSIONS IN MM  
 ANGLS IN DECIMAL DEGREES

**DELTRON Components** **ES 3** GENERAL SPECIFICATION FOR 592 SERIES CUSTOMER FILTER REF

© Deltron Emcon Limited E-Mail components@deltron-emcon.com, Website www.deltron-emcon.com, Aprvd Date 10/02/03 Aprvd By MC Drwn by BFS Scale: NTS Sheet 1 / 1

**DELTRON** **Emcon**