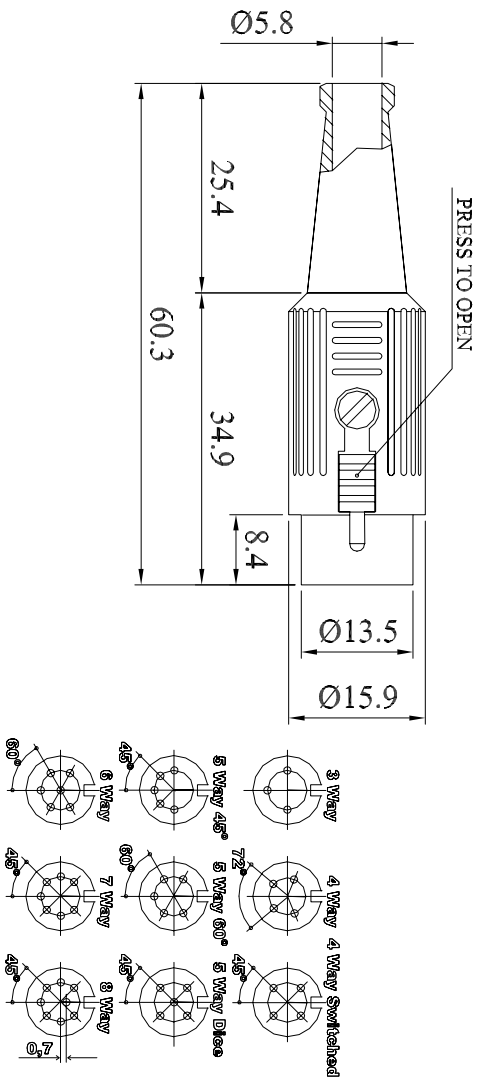


A fully screened robust range of DIN connectors for use in instrumentation and audio applications. Available in two finishes; bright nickel and non-reflective electrically conductive matt black. Robust construction incorporating cable grip and strain relief.

## Dimensions



Type	Deltron No
3 Way	591-0300
4 Way	591-0400
4 Way Switched	591-0410
5 Way 45°	591-0500
5 Way 60°	591-0510
5 Way Dice	591-0520
6 Way	591-0600
7 Way	591-0700
8 Way	591-0800

## MATERIALS

### HOUSING

: Zinc Alloy, sprayed with matt black conductive paint

### MOULDING CONTACTS

: Nylon  
: Brass  
Silver Plated

### CABLE CLAMP

: Mild Steel  
zinc plated  
: Black P.V.C.

### GROMMET

## ELECTRICAL RATINGS

### Working Voltage

100 Vd.c. or a.c. peak

### Test Voltage

1000 Vd.c.

### Insulation Resist.

$10^{11} \Omega$  min at 100 Vd.c.

### Current Rating

4 A

### Contact Resist.

10 m  $\Omega$  max

### Capacity (mated)

3 pF

### Temp. Range

-25°C to +70°C

CONVERTED FROM PS0483 ISS4 (08.07.96) IN JAN 2003

DrngNo 591 SERIES

TITLE SCREENED DIN CONNECTOR LOCKABLE PLUG (BLACK)

ALL DIMENSIONS IN MM  
ANGLES IN DECIMAL DEGREES



**DELTRON** Components

ES 4

GENERAL SPECIFICATION  
FOR 591 SERIES

CUSTOMER

FILTER REF

Aprvd Date 10/02/03

Aprvd By MC

Drwn by BFS

Scale: NTS

Sheet 1 / 1

© Deltron Emcon Limited E-Mail components@deltron-emcon.com, Website www.deltron-emcon.com, Phone +44 1724 273200 Fax +44 1724 270230

**DELTRON** Emcon