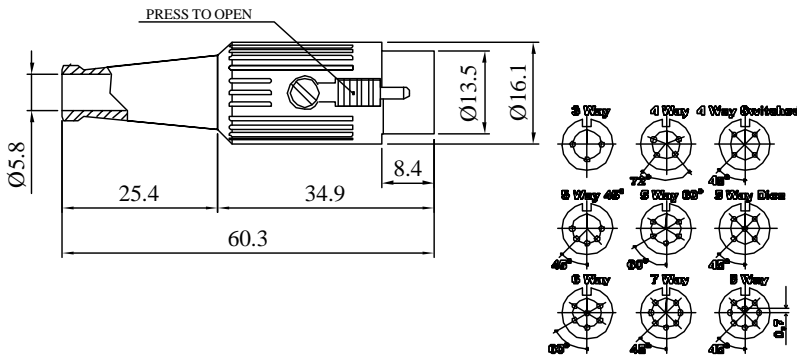


A fully screened robust range of DIN connectors for use in instrumentation and audio applications. Available in two finishes; bright nickel and non-reflective electrically conductive matt black. Robust construction incorporating cable grip and strain relief.

Manufactured to DIN 41524, 45322, 45326, 45327 and 45329.

Dimensions



MATERIALS

- HOUSING : Zinc Alloy
heavy nickel plated
over copper
- MOULDING : Nylon
- CONTACTS : Brass
Silver Plated
- CABLE CLAMP : Mild Steel
zinc plated
- GROMMET : Black P.V.C.

ELECTRICAL RATINGS

- Working Voltage : 100 Vd.c. or a.c. peak
- Test Voltage : 1000 Vd.c.
- Insulation Resist. : $10^{11} \Omega$ min at 100 Vd.c.
- Current Rating : 4 A
- Contact Resist. : 10 m Ω max
- Capacity (mated) : 3 pF
- Temp. Range : -25°C to +70°C

Type	Deltron No
3 Way	590-0300
4 Way	590-0400
4 Way Switched	590-0410
5 Way 45°	590-0500
5 Way 60°	590-0510
5 Way Dice	590-0520
6 Way	590-0600
7 Way	590-0700
8 Way	590-0800

CONVERTED FROM PS0458 ISS4 (08.07.96) IN JAN 2003

DrgNo 590 SERIES		TITLE SCREENED DIN CONNECTOR LOCKABLE PLUG (NICKEL)		ALL DIMENSIONS IN MM ANGLES IN DECIMAL DEGREES	
DELTRON Components	ISSUE 5	GENERAL SPECIFICATION FOR 590 SERIES		CUSTOMER FILTER REF	
		Aprvd Date 06/10/03	Aprvd By MC	Drwn by BS	Scale: NTS
© Deltron Emcon Limited E-Mail components@deltron-emcon.com, Website www.deltron-emcon.com. Phone +44 1724 273200 Fax +44 1724 270230					

