

Empty housings

onlinecomponents.com
THE ONLINE DISTRIBUTOR OF ELECTRONIC COMPONENTS

Overview	
	L.2 - L.3
Housings	
WAVEBOX	L.4 - L.7
EG-Series	L.8 - L.13
Housings, profile form	
RS-Series	L.14 - L.17
Housings, terminal form	
	L.18 - L.26

Empty housings

L

Empty housings

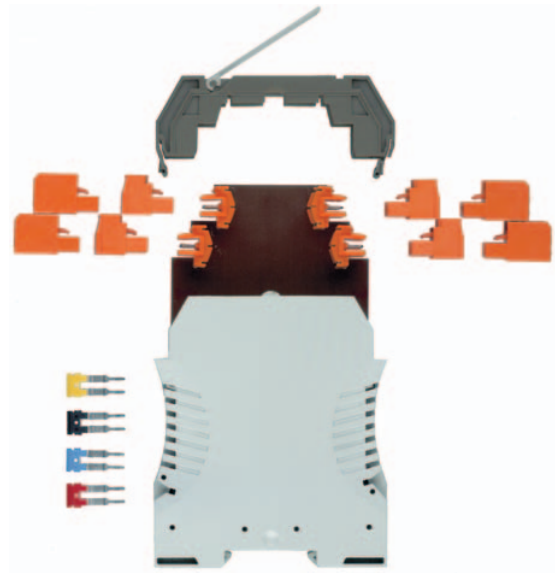
onlinecomponents.com
THE ONLINE DISTRIBUTOR OF ELECTRONIC COMPONENTS

WAVEBOX housing

are designed to accept modern electronic components, thus representing functional casings that support adjustment and control functions as well as technical requirements, and allow heat dissipation and EMC properties. The compact design additionally saves space in the switch cabinet and reduces assembly costs. Furthermore, ergonomic design is becoming an increasingly important aspect of top quality electronic products and WAVEBOX has been developed accordingly to these criteria. The customer can save considerable costs with the simple production process (e.g. wave soldering, SMD configuration).

The excellent features of WAVEBOX include:

- Convenient, optimum width (12.5 mm, 17.5 mm, 22.5 mm)
- Large insertion area, suitable for SMD insertion on the soldered side
- Combustibility class V2 to UL94
- Assembly without tools
- Pluggable circuit board
- Pluggable cross connection using ZQV 2.5 N
- Hinged, transparent cover
- Plug-in connection
- Either clamping yoke or tension spring connection
- Marking with WS tags
- Slots onto TS 35 x 7.5 or TS 35 x 15



EG 1 housing

are 18 mm wide and offer 4 screw connections. They also have up to 4 solder/flat push-on lugs 0.8 x 2.8 mm or 0.8 x 4.8 mm. Inside the enclosure, the busbar or screw terminal ends with a solder eyelet. Two end plates close the module. The modules are fitted in rows on mounting rail TS 32, TS 35 x 7.5 or TS 35 x 15, depending on the type.

EG 2 housing

have the same outer contour as type EG 1. The PCBs, equipped with 4 screw or up to 8 spade connectors 0.8 x 6.3 mm or 0.8 x 2.8 mm, are simply clipped into the enclosure, using mounting rails TS 32, TS 35 x 7.5 or TS 35 x 15.

EG 3 housing

are 22.5 mm wide with 6 screw or 12 spade connectors 0.8 x 6.3 mm or 0.8 x 2.8 mm. As optional accessories, Weidmüller offers a contour PCB with 2.54 mm hole matrix or completely copper-coated. The clip-on combination foot is ideal for mounting in rows on mounting rail TS 32, TS 35 x 7.5 or TS 35 x 15. The enclosure can be fixed directly using mounting plate MPL (without mounting rail). Thanks to the push-on foot design, the EG 3 housing enclosure can be turned at an angle of 180° for all kinds of assembly (e.g. for swapping input and output).

EG 4 housing

offer the same width 22.5 mm as type EG 3. The greater depth of 75 mm and height of 109 mm allow more complex circuitry. The installed circuitry can be connected via 6 screw connectors. The clip-on combination foot is ideal for mounting in rows on mounting rail TS 32, TS 35 x 7.5 or TS 35 x 15. Thanks to the push-on foot design, the EG 4 housing enclosure can be shifted 6 mm forwards or back from the clip-on foot position, turned at an angle of 180°, then refitted (e.g. for swapping input and output).

EG 5 housing

have the same outer dimensions as type EG 4. Type EG 5 has 12 screw connections wired with solder eyelets inside the enclosure. The clip-on combination foot is ideal for mounting in rows on mounting rail TS 32, TS 35 x 7.5 or TS 35 x 15. Thanks to the push-on foot design, the EG 5 housing enclosure can be shifted 6 mm forwards or back from the clip-on foot position, turned at an angle of 180°, then refitted (e.g. for swapping input and output).

EG 6 housing

have a bus-compatible contact carrier. The bus connection is achieved by abutting several enclosures in a row. 32 connections on either side of the enclosures act as spring-type strip contacts. The enclosure can accommodate a PCB measuring 100 x 120 mm. The PCB is adapted by a VG 64 DIN socket. The front plate is screwed to the PCB, like 19" systems. The clip-on foot allows easy assembly in rows on mounting rails TS 35 x 7.5 or TS 35 x 15.

Individual components for RS 70 clip-in base

Any type of intermediate spacers or feet can be joined and clipped together between two side pieces (locking feet). This produces a holder module for a PCB to which various components can be soldered. The assembly can be clipped onto mounting rails TS 32, TS 35 x 7.5 or TS 35 x 15.

Clip-in base profiles

Profiles RS 45, RS 80 and RS 100 are supplied as extruded profiles 2 m long. The extruded profiles can be easily cut to the required length, producing a holder module for a PCB to which individual components can be soldered. The locking feet are pushed into the profiles for clipping onto the mounting rails TS 32, TS 35 x 7.5 or TS 35 x 15. The push-on foot design of RS 80 lets the locking foot turn at an angle of 180°.

DK 4 and DKT 4 terminals

are ideal for installation of electronic components with a maximum thickness of 4.5 mm. Up to 4 independent clamping yoke screw connections are available. A clip-on frame extends the installation space of DK 4 by 6 mm. The terminals will fit on mounting rails TS 32, TS 35 x 7.5 or TS 35 x 15, depending on type.

WDK 2.51 terminals

are ideal for installation of electronic components with a maximum thickness of 4 mm. 4 independent clamping yoke screw connections or 4 spade connectors 6.3 x 0.8 mm are available. The terminals will fit on mounting rails TS 35 x 7.5 or TS 35 x 15.

Housings

Wavebox

A WAVEBOX S 22.5 housing consists of:

- 1 housing base part with locking foot,
- 1 top part,
- 2 pin blocks,
- 1 to 2 connector sockets.

onlinecomponents.com
THE ONLINE DISTRIBUTOR OF ELECTRONIC COMPONENTS

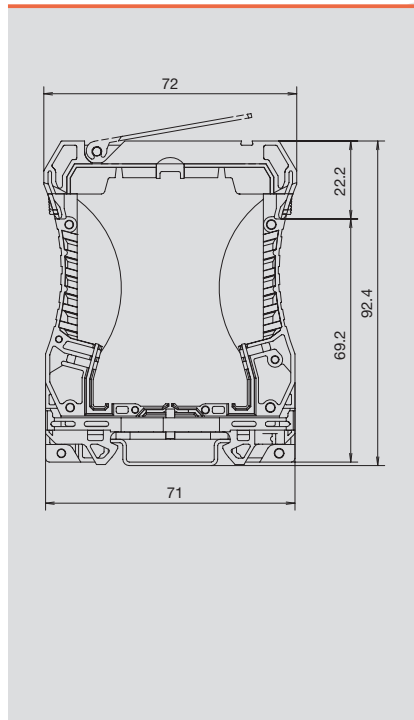
WAVEBOX S 22.5



Description

The pin blocks (one left- and one right-hand version are used depending on the design) are soldered to the PCB and clipped to the top part. This assembly is inserted into the base part; the integrated anti-turn protection guarantees a correct mechanical connection. Connections that are not required are sealed with a screw cap. The base of the housing is available in cross-connectable and non-cross-connectable versions. Both clamping yoke and tension clamp connections are available for the codable connector socket. The hinged transparent top plate of the top part and the housing base part can be labelled with a laser. The top plate enables an easy access for calibration.

CAD drawings that ease the production of layouts and equipping of boards (details of blocked area, max. component heights, pads, etc.) are available on request.



Technical data

General data		
Dimensions W x L x H (w. TS35 x 7.5)	mm	22.5 / 72 / 92.4
Dimensions W x L x H (w. TS32)		
No. of connections	total	6
	left / right / top	3 / 3
Access for calibration		moveable top plate
Shielding		not available
Contact to the mounting rail		-
Max. power loss		2 W /40°C
Number of PCB per module		1
PCB contacting		soldered connection, directly
Thickness of PCB		1.0 (± 0.1) mm
Class of protection		IP 20
Tightening torque range		0.4...0.5 Nm
Stripping length		
Pollution severity		2
Flammability class acc. UL94		V2
Colour of insulating material		grey
Clampable conductors (H05V/H07V)		
Solid		Clamp. yoke connection 0.5...2.5 Tension clamp connection 0.13...1.5
Flexible		0.5...2.5 0.13...2.5
Max. conductor AWG		28 AWG...14 AWG
Plug gauge to 60947-1		A3
Information		

Ordering data

Individual parts		Type	Qty.	Order No.
Enclosure part with locking foot	cannot be cross-conn.	WAVEBOX S 22.5	10	8426440000
	can be cross-connected	WAVEBOX S 22.5 QV	10	8426450000
Top part with transparent top plate mounted		TOP UNIT S 22.5	10	8426460000
Pin block, 3-pole	orange, right	SL 5.08/3 OR R	100	8426620000
	orange, left	SL 5.08/3 OR L	100	8426630000
Pin block, 3-pole	beige, right			
	beige, left			
Pin block, 2-pole	orange, right			
	orange, left			
Socket block, clamp. yoke conn.	orange, 3-pole	BLZ 5.08/3 SN OR	100	1526560000
	black, 3-pole	BLZ 5.08/3 SN SW	100	1526510000
	orange, 2-pole			
	black, 2-pole			
Socket block, tension clamp conn.	orange, 3-pole	BLZF 5.08/3 SN OR	100	1707470000
	black, 3-pole	BLZF 5.08/3 SN SW	100	1707700000
	orange, 2-pole			
	black, 2-pole			
Information				

Accessories

Cross connection 2-pole (pluggable)		Type	Qty.	Order No.
	red	ZQV 2.5N/2 RT	60	1717900000
	blue	ZQV 2.5N/2 BL	60	1717990000
	yellow	ZQV 2.5N/2 GE	60	1693800000
Other accessories				
Coding element	orange	BLZ KO OR	100	1573010000
	black	BLZ-KO SW	50	1545710000
Screw cap		CAP WAVEBOX L22,5/17,5	20	8428120000
Information				

Housings

Wavebox

A WAVEBOX L 22.5 housing consists of:

- 1 housing base part with locking foot,
- 1 top part,
- 4 pin blocks,
- 1 to 4 connector sockets.

onlinecomponents.com
THE ONLINE DISTRIBUTOR OF ELECTRONIC COMPONENTS

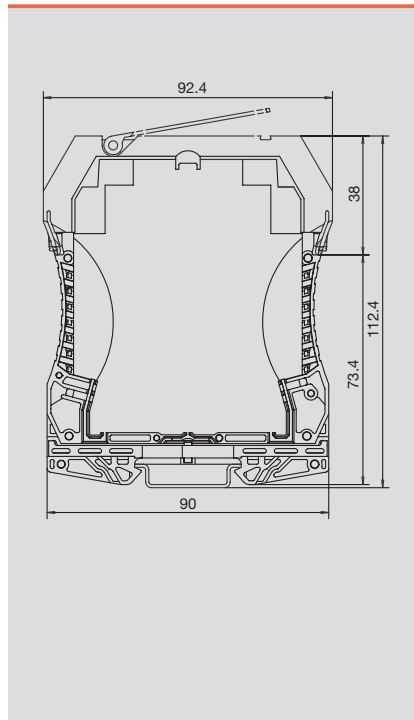
WAVEBOX L 22.5



Description

The pin blocks (one left- and one right-hand version are used depending on the design) are soldered to the PCB and clipped to the top part. This assembly is inserted into the base part; the integrated anti-turn protection guarantees a correct mechanical connection. Connections that are not required are sealed with a screw cap. The base of the housing is available in cross-connectable and non-cross-connectable versions. Both clamping yoke and tension spring connections are available for the codable connector socket. The hinged transparent top plate of the top part and the housing base part can be labelled with a laser. The top plate enables an easy access for calibration.

CAD drawings that ease the production of layouts and equipping of boards (details of blocked area, max. component heights, pads, etc.) are available on request.



Technical data

General data		
Dimensions W x L x H (w. TS35 x 7.5)	mm	22.5 / 92.4 / 112.4
Dimensions W x L x H (w. TS32)		
No. of connections	total	12
	left / right / top	6 / 6
Access for calibration		moveable top plate
Shielding		not available
Contact to the mounting rail		-
Max. power loss		2 W /40°C
Number of PCB per module		1
PCB contacting		soldered connection, directly
Thickness of PCB		1.0 (± 0.1) mm
Class of protection		IP 20
Tightening torque range		0.4...0.5 Nm
Stripping length		
Pollution severity		2
Flammability class acc. UL94		V2
Colour of insulating material		grey
Clampable conductors (H05V/H07V)		
Solid		0.5...2.5
Flexible		0.5...2.5
Max. conductor AWG		28 AWG...14 AWG
Plug gauge to 60947-1		A3
Information		

Ordering data

Individual parts		Type	Qty.	Order No.
Enclosure part with locking foot	cannot be cross-conn. can be cross-connected	WAVEBOX L 22.5	10	8426470000
Top part with transparent top plate mounted		WAVEBOX L 22.5 QV	10	8426480000
Pin block, 3-pole	orange, right orange, left	TOP UNIT L 22.5	10	8426490000
Pin block, 3-pole	beige, right beige, left	SL 5.08/3 OR R	100	8426620000
Pin block, 2-pole	orange, right orange, left	SL 5.08/3 OR L	100	8426630000
Socket block, clamp. yoke conn.	orange, 3-pole black, 3-pole orange, 2-pole black, 2-pole	BLZ 5.08/3 SN OR	100	1526560000
		BLZ 5.08/3 SN SW	100	1526510000
Socket block, tension clamp conn.	orange, 3-pole black, 3-pole orange, 2-pole black, 2-pole	BLZF 5.08/3 SN OR	100	1707470000
		BLZF 5.08/3 SN SW	100	1707700000
Information				

Accessories

Cross connection 2-pole (pluggable)		Type	Qty.	Order No.
	red	ZQV 2.5N/2 RT	60	1717900000
	blue	ZQV 2.5N/2 BL	60	1717990000
	yellow	ZQV 2.5N/2 GE	60	1693800000
Other accessories				
Coding element	orange	BLZ KO OR	100	1573010000
	black	BLZ-KO SW	50	1545710000
Screw cap		CAP WAVEBOX L22.5/17,5	20	8428120000
Information				

Articles with coloured order number are kept permanently in stock at the central warehouse in Germany. Delivery times see page X.2

Housings

Wavebox

A WAVEBOX 17.5 housing consists of:

- 1 housing base part with locking foot,
- 1 top part,
- 4 pin blocks,
- 1 to 4 connector sockets.

onlinecomponents.com
THE ONLINE DISTRIBUTOR OF ELECTRONIC COMPONENTS

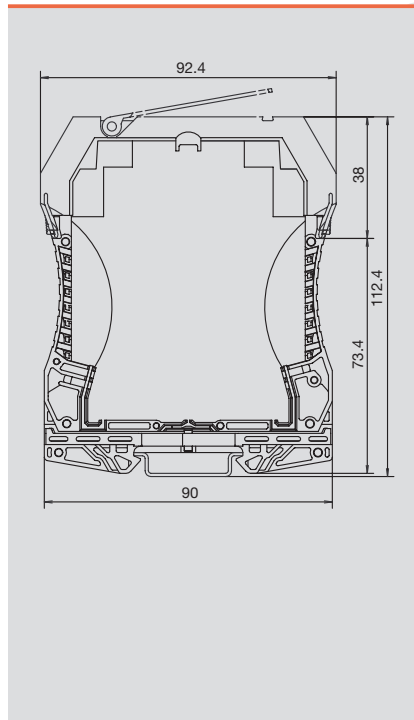
WAVEBOX 17.5



Description

The pin blocks (one left- and one right-hand version are used depending on the design) are soldered to the PCB and clipped to the top part. This assembly is inserted into the base part; the integrated anti-turn protection guarantees a correct mechanical connection. Connections that are not required are sealed with a screw cap. The base of the housing is available in cross-connectable and non-cross-connectable versions. Both clamping yoke and tension spring connections are available for the codable connector socket. The hinged transparent top plate of the top part and the housing base part can be labelled with a laser. The top plate enables an easy access for calibration.

CAD drawings that ease the production of layouts and equipping of boards (details of blocked area, max. component heights, pads, etc.) are available on request.



Technical data

General data		
Dimensions W x L x H (w. TS35 x 7.5)	mm	17.5 / 92.4 / 112.4
Dimensions W x L x H (w. TS32)		
No. of connections	total	12
	left / right / top	6 / 6
Access for calibration		moveable top plate
Shielding		not available
Contact to the mounting rail		-
Max. power loss		2 W /40°C
Number of PCB per module		1
PCB contacting		soldered connection, directly
Thickness of PCB		1.0 (± 0.1) mm
Class of protection		IP 20
Tightening torque range		0.4...0.5 Nm
Stripping length		
Pollution severity		2
Flammability class acc. UL94		V2
Colour of insulating material		grey
Clampable conductors (H05V/H07V)		
Solid		Clamp. yoke connection 0.5...2.5
Flexible		Tension clamp connection 0.13...1.5
Max. conductor AWG		0.5...2.5
Plug gauge to 60947-1		28 AWG...14 AWG
		A3
Information		

Ordering data

Individual parts		Type	Qty.	Order No.
Enclosure part with locking foot	cannot be cross-conn. can be cross-connected	WAVEBOX L 17.5	12	8426560000
Top part with transparent top plate mounted		WAVEBOX L 17.5 QV	12	8426570000
Pin block, 3-pole	orange, right orange, left	TOP UNIT L 17.5	12	8426580000
Pin block, 3-pole	beige, right beige, left	SL 5.08/3 BE R	100	8449220000
Pin block, 2-pole	orange, right orange, left	SL 5.08/3 BE L	100	8449230000
Socket block, clamp. yoke conn.	orange, 3-pole black, 3-pole orange, 2-pole black, 2-pole	BLZ 5.08/3 SN OR	100	1526560000
		BLZ 5.08/3 SN SW	100	1526510000
Socket block, tension clamp conn.	orange, 3-pole black, 3-pole orange, 2-pole black, 2-pole	BLZF 5.08/3 SN OR	100	1707470000
		BLZF 5.08/3 SN SW	100	1707700000
Information				

Accessories

Cross connection 2-pole (pluggable)		Type	Qty.	Order No.
	red	ZQV 2.5N/2 RT	60	1717900000
	blue	ZQV 2.5N/2 BL	60	1717990000
	yellow	ZQV 2.5N/2 GE	60	1693800000
Other accessories				
Coding element	orange	KO ZSB	10	1678530000
	black	CAP WAVEBOX L22,5/17,5	20	8428120000
Screw cap				

Housings

Wavebox

A WAVEBOX 12.5 housing consists of:

- 1 housing base part with locking foot,
- 1 top part,
- 4 pin blocks,
- 1 to 4 connector sockets.

onlinecomponents.com
THE ONLINE DISTRIBUTOR OF ELECTRONIC COMPONENTS

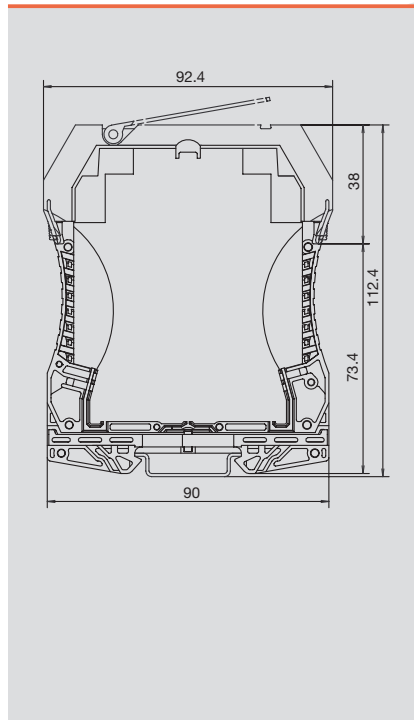
WAVEBOX 12.5



Description

The pin blocks (one left- and one right-hand version are used depending on the design) are soldered to the PCB and then clipped to the top part. This assembly is inserted into the base part; the integrated anti-turn protection guarantees a correct connection. Connections that are not required are sealed with a screw cap. The base of the housing is available in cross-connectable (cross-connector ZQV2.5N/2) and non-cross-connectable versions. Both clamping yoke and tension spring connections are available for the connector socket, which can be coded by means of the coding elements. The hinged transparent top plate of the top part and the housing base part can be labelled with a laser. The top plate enables an easy access for calibration.

CAD drawings that ease the production of layouts and equipping of boards (details of blocked area, max. component heights, pads, etc.) are available on request.



Technical data

General data		
Dimensions W x L x H (w. TS35 x 7.5)	mm	12.5 / 92.4 / 112.4
Dimensions W x L x H (w. TS32)		
No. of connections	total	8
	left / right / top	4 / 4
Access for calibration		moveable top plate
Shielding		not available
Contact to the mounting rail		-
Max. power loss		2 W /40°C
Number of PCB per module		1
PCB contacting		soldered connection, directly
Thickness of PCB		1.0 (± 0.1) mm
Class of protection		IP 20
Tightening torque range		0.4...0.5 Nm
Stripping length		
Pollution severity		2
Flammability class acc. UL94		V2
Colour of insulating material		grey
Clampable conductors (H05V/H07V)		
Solid		Clamp. yoke connection Tension clamp connection
Flexible		0.5...2.5 0.13...1.5
Max. conductor AWG		0.5...2.5 0.13...2.5
Plug gauge to 60947-1		28 AWG...14 AWG
		A3
Information		

Ordering data

Individual parts		Type	Qty.	Order No.
Enclosure part with locking foot	cannot be cross-conn. can be cross-connected	WAVEBOX L 12.5	18	8426530000
Top part with transparent top plate mounted		WAVEBOX L 12.5 QV	18	8426540000
Pin block, 3-pole	orange, right orange, left	TOP UNIT L 12.5	18	8426550000
Pin block, 3-pole	beige, right beige, left			
Pin block, 2-pole	orange, right orange, left	SL 5.08/2 OR R	100	8427390000
Socket block, clamp. yoke conn.	orange, 3-pole black, 3-pole orange, 2-pole	SL 5.08/2 OR L	100	8427400000
Socket block, tension clamp conn.	black, 2-pole orange, 3-pole black, 3-pole orange, 2-pole black, 2-pole	BLZ 5.08/2 SN OR	100	1526460000
		BLZ 5.08/2 SN SW	100	1526410000
		BLZF 5.08/2 SN OR	100	1707460000
		BLZ 5.08/2 SN SW	100	1526410000
Information				

Accessories

Cross connection 2-pole (pluggable)		Type	Qty.	Order No.
	red	ZQV 2.5N/2 RT	60	1717900000
	blue	ZQV 2.5N/2 BL	60	1717990000
	yellow	ZQV 2.5N/2 GE	60	1693800000
Other accessories				
Coding element	orange	KO ZSB	10	1678530000
	black	CAP 2 WAVEBOX 12,5	20	8428130000
Screw cap				

Articles with coloured order number are kept permanently in stock at the central warehouse in Germany. Delivery times see page X.2

Housings

EG

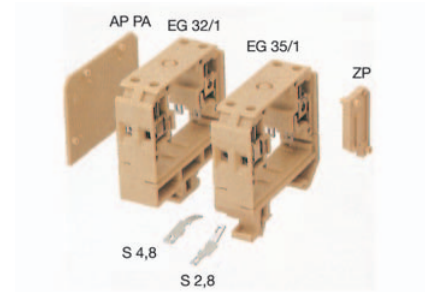
An EG1 housing consists of:

- 1 housing frame with clamping yoke units and foot,
- 2 end plates.

Push-on solder lugs are available if required.

onlinecomponents.com
THE ONLINE DISTRIBUTOR OF ELECTRONIC COMPONENTS

EG 1



Larger housings are easily assembled: the intermediate plate (ZP) allows 2 or more housings to be mechanically joined together. The ZP joins together the housing frames in the area of clamping yoke unit.

Technical data

General data		
Dimensions W x L x H (w. TS35 x 7.5)	mm	18 / 58 / 63
Dimensions W x L x H (w. TS32)		18 / 58 / 67.5
No. of connections	total	4
	left / right / top	2 / 2
Access for calibration		
Shielding		not available
Contact to the mounting rail		-
Max. power loss		1 W
Number of PCB per module		1
PCB-connection		soldered connection, via wire
Thickness of PCB		1,0 (+ 0.2) mm
Class of protection		IP 20
Tightening torque range		0.5...1.0 Nm
Stripping length		
Pollution severity		2
Flammability class acc. UL94		V2
Colour of insulating material		beige
Clampable conductors (H05V/H07V)		Clamp. yoke connection
Solid		0.5...4
Flexible		0.5...2.5
Max. conductor AWG		20 AWG...12 AWG
Plug gauge to 60947-1		

Information

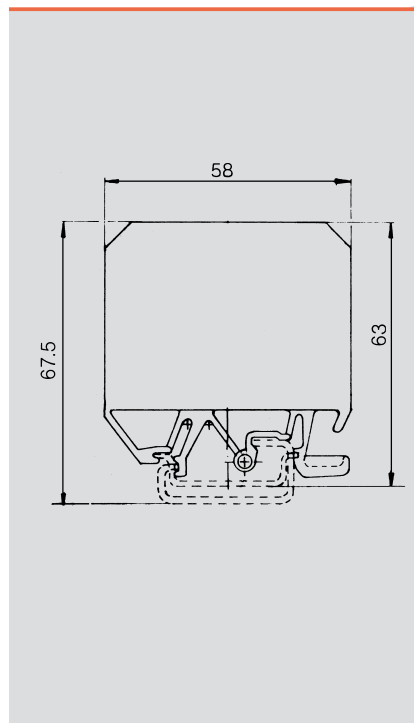
Ordering data

Individual parts	Type	Qty.	Order No.
Housing frame			
without foot			
w. foot for TS35	EG 35/1 OHNE AP MONT.	25	0453860000
w. foot for TS32	EG 32/1 OHNE AP MONT.	25	0453560000
Locking combination foot			
Mounting plate for direct mounting			
End plate	AP EG32/EG35	20	0453660000
Clamp. yoke unit			
right			
left	ZP EG 32/EG 35	50	0453760000
Intermediate plate			
Connection spigot	VBZA F.EG	50	0510260000
Flat connector lug			
0.8 x 6.3mm			
2 x 0.8 x 6.3mm	LOETFAPNE 2.8MM F.EG	50	0475800000
0.8 x 2.8mm	LOETFAPNE 4.9MM F. EG	50	0475700000
0.8 x 4.8mm			

Information

Accessories

Type	Qty.	Order No.
------	------	-----------



Housings

EG

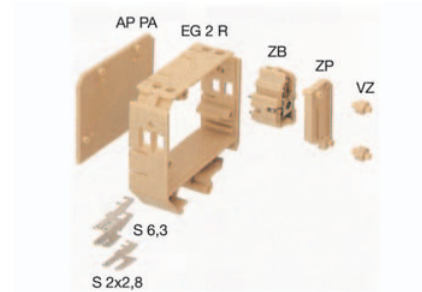
An EG2 housing consists of:

- 1 housing frame with combination foot,
- 1 to 2 clamping yoke units,
- 2 end plates.

Push-on solder lugs are available if required.

onlinecomponents.com
THE ONLINE DISTRIBUTOR OF ELECTRONIC COMPONENTS

EG 2



Larger housings are easily assembled: the intermediate plate (ZP) allows 2 or more housings to be mechanically joined together. The ZP joins together the housing frames near the clamping yoke unit. If the clamping yoke unit is not fitted, the connecting pin (VZ) can be used as an alternative.

Technical data

General data		
Dimensions W x L x H (w. TS35 x 7.5)	mm	20 / 58 / 63
Dimensions W x L x H (w. TS32)		20 / 58 / 67.5
No. of connections	total	4
	left / right / top	2 / 2
Access for calibration		
Shielding		not available
Contact to the mounting rail		-
Max. power loss		1 W
Number of PCB per module		1
PCB-connection		soldered connection, directly
Thickness of PCB		1,0 (+ 0.2) mm
Class of protection		IP 20
Tightening torque range		0.5...1.0 Nm
Stripping length		
Pollution severity		2
Flammability class acc. UL94		V2
Colour of insulating material		beige
Clampable conductors (H05V/H07V)		Clamp. yoke connection
Solid		0.5...4
Flexible		0.5...2.5
Max. conductor AWG		20 AWG...12 AWG
Plug gauge to 60947-1		

Information

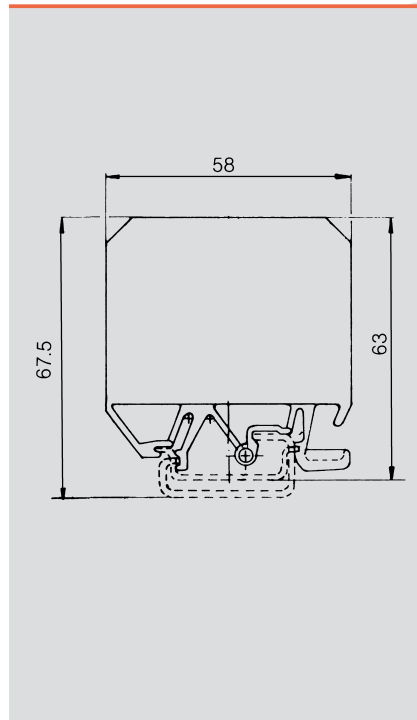
Ordering data

Individual parts	Type	Qty.	Order No.
Housing frame			
without foot			
w. foot for TS35	GH EG2/EN A.1 O.BOHR.	25	0508860000
w. foot for TS32	GH EG2/EN A.1 O.BOHR.	25	0508860000
Locking combination foot			
Mounting plate for direct mounting			
End plate			
Clamp. yoke unit			
right	AP EG32/EG35	20	0453660000
left	ZBE EG/2 AUSF.RECHTS	20	0495960000
	ZBE EG/2 AUSF.LINKS	20	0495860000
Intermediate plate	ZP EG 32/EG 35	50	0453760000
Connection spigot	VBZA F.EG	50	0510260000
Flat connector lug	STECKERFAHNE EG 35/2	100	0496100000
0.8 x 6.3mm	STFA EG3	50	0163500000
2 x 0.8 x 6.3mm			
0.8 x 2.8mm			
0.8 x 4.8mm			

Information

Accessories

Type	Qty.	Order No.
------	------	-----------



Articles with coloured order number are kept permanently in stock at the central warehouse in Germany. Delivery times see page X.2

Housings

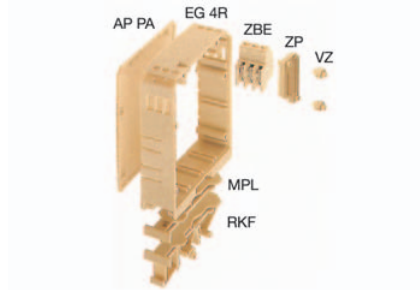
EG

An EG4 housing consists of:

- 1 housing frame,
- 1 combination foot or 1 mounting plate,
- 1 to 2 clamping yoke units,
- 2 end plates.

onlinecomponents.com
THE ONLINE DISTRIBUTOR OF ELECTRONIC COMPONENTS

EG 4



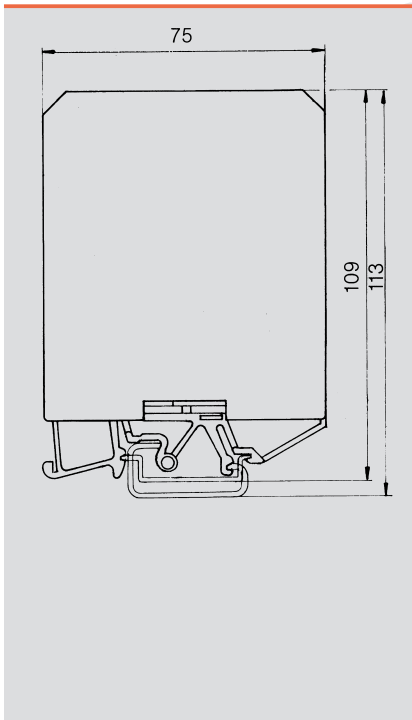
Larger housing are easily assembled: the intermediate plate (ZP) and the connection spigot (VZ) enable 2 or more housing to be mechanically joined together. The ZP joins together the housing frames in the area of the clamping yoke unit and the VZ the housing frames at the bottom of the frame. The fixing in combination foot or the mounting plate allows the housing to be mounted on the rail or directly.

Technical data

General data	
Dimensions W x L x H (w. TS35 x 7.5)	mm 22.5 / 75 / 109
Dimensions W x L x H (w. TS32)	22.5 / 75 / 113
No. of connections	total 6 left / right / top 3 / 3
Access for calibration	
Shielding	not available
Contact to the mounting rail	-
Max. power loss	1.6 W
Number of PCB per module	1
PCB-connection	soldered connection, via wire
Thickness of PCB	1.0 (+ 0.2) mm
Class of protection	IP 20
Tightening torque range	0.4...0.8 Nm
Stripping length	
Pollution severity	2
Flammability class acc. UL94	V2
Colour of insulating material	beige
Clampable conductors (H05V/H07V)	
Solid	0.5...4
Flexible	0.5...2.5
Max. conductor AWG	22 AWG...12 AWG
Plug gauge to 60947-1	
Information	
Clamp. yoke connection	
	0.5...4
	0.5...2.5
	22 AWG...12 AWG

Ordering data

Individual parts	Type	Qty.	Order No.
Housing frame	GH EG4 A.1 O.BOHR.	20	1116560000
	w. foot for TS35		
	w. foot for TS32		
Locking combination foot	WECHSELFUSS F.EG 4+5	20	1116260000
Mounting plate for direct mounting	MONTAGEPLATTE F.EG 4+5	50	1116360000
End plate	AP EG4	20	1116060000
Clamp. yoke unit	ZBE EG 3	50	0138360000
	right		
	left	50	0138360000
Intermediate plate	ZP EG 32/EG 35	50	0453760000
Connection spigot	VBZA F.EG	50	0510260000
Flat connector lug	0.8 x 6.3mm		
	2 x 0.8 x 6.3mm		
	0.8 x 2.8mm		
	0.8 x 4.8mm		
Information			
Accessories			
	Type	Qty.	Order No.



Articles with coloured order number are kept permanently in stock at the central warehouse in Germany. Delivery times see page X.2

Housings

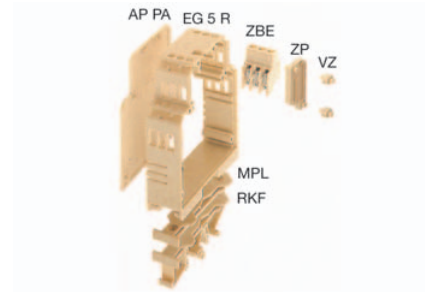
EG

An EG5 housing consists of:

- 1 housing frame,
- 1 combination foot or 1 mounting plate,
- 1 to 4 clamping yoke units,
- 2 end plates.

onlinecomponents.com
THE ONLINE DISTRIBUTOR OF ELECTRONIC COMPONENTS

EG 5



Larger housings are easily assembled: the intermediate plate (ZP) and the connection spigot (VZ) enable 2 or more housings to be mechanically joined together. The ZP joins together the housing frames at the bottom of the frame. The locking combination foot or the mounting plate allows the housing to be mounted on the rail or directly.

Technical data

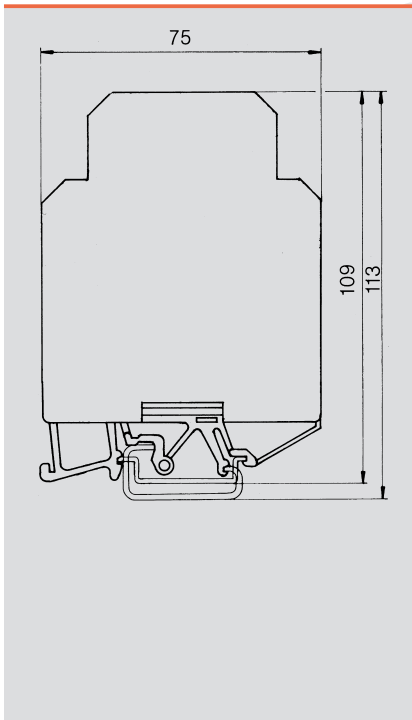
General data		
Dimensions W x L x H (w. TS35 x 7.5)	mm	22.5 / 75 / 109
Dimensions W x L x H (w. TS32)		22.5 / 75 / 113
No. of connections	total	12
	left / right / top	6 / 6
Access for calibration		
Shielding		not available
Contact to the mounting rail		-
Max. power loss		1.6 W
Number of PCB per module		1
PCB-connection		soldered connection, via wire
Thickness of PCB		1.0 (+ 0.2) mm
Class of protection		IP 20
Tightening torque range		0.4...0.8 Nm
Stripping length		
Pollution severity		2
Flammability class acc. UL94		V2
Colour of insulating material		beige
Clampable conductors (H05V/H07V)		Clamp. yoke connection
Solid		0.5...4
Flexible		0.5...2.5
Max. conductor AWG		22 AWG...12 AWG
Plug gauge to 60947-1		
Information		

Ordering data

Individual parts		Type	Qty.	Order No.
Housing frame	without foot w. foot for TS35 w. foot for TS32	GH EG5 A.1 O.BOHR.	20	1116860000
Locking combination foot		WECHSELFUSS F.EG 4+5	20	1116260000
Mounting plate for direct mounting		MONTAGEPLATTE F.EG 4+5	50	1116360000
End plate		AP EG5	20	1116160000
Clamp. yoke unit	right left	ZBE EG 3	50	0138360000
		ZBE EG 3	50	0138360000
Intermediate plate		ZP EG 32/EG 35	50	0453760000
Connection spigot		VBZA F.EG	50	0510260000
Flat connector lug	0.8 x 6.3mm 2 x 0.8 x 6.3mm 0.8 x 2.8mm 0.8 x 4.8mm			
Information				

Accessories

Type	Qty.	Order No.



Housings, profile form

RS 45

Configuration of the housings (plus 4 screws):

Rail-mounted version

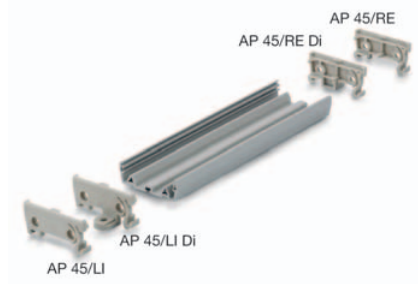
- 2 end plates for Rail-mounting,
- 1 extruded profile,

Direct-mount version

- 2 end plates for direct mounting,
- 1 extruded profile,

onlinecomponents.com
THE ONLINE DISTRIBUTOR OF ELECTRONIC COMPONENTS

RS 45



Description

3 heights are available for cover profile and end plates:

Rail-mounting:

TS32 = 45 mm, TS35x7.5 = 40.5 mm

Direct mounting: 24 mm

Dimensions of PCB

Thickness: 1.8 (+0.15) mm, width: 42 (+0.5) mm

Size of RS segment = PCB length - 4.5 mm

Size of ADP segment = PCB length - 1 mm

Example:

PCB length 160 mm, RS = 155.5 mm, ADP = 159 mm

Technical data

General data

Shielding
Contact to the mounting rail
Max. power loss
Number of PCB per module
Thickness of PCB
Class of protection
UL 94 combustibility class
Colour of insulating material

Information

Ordering data

Extruded profile

2000mm	orange
2000mm	grey
1000mm	grey
155mm	orange

Intermediate piece

5mm
15mm
25mm
30mm
45mm

End plate w. locking foot

Without cover	grey, left version
	grey, right-hand version

Locking foot

	orange
	grey
With marking facilities	left version
	right version
Without marking facilities	left version
	right version
Central	intermediate foot

End plate for direct mounting

Without cover	grey, left version
	grey, right-hand version
	orange
	grey
For medium-high cover profile	orange
	grey
For high cover profile	orange
	grey

End plate for mounting rail installation

Without cover	orange
	grey
For medium-high cover profile	orange
	grey
For high cover profile	orange
	grey

Cover profile	medium-high
	high

Screws	LKSC M2,9x13VZ
--------	----------------

Shielding	-
Contact to the mounting rail	-
Max. power loss	-
Number of PCB per module	1
Thickness of PCB	1.8 (+ 0.15) mm
Class of protection	V2
UL 94 combustibility class	V2
Colour of insulating material	beige

Type	Qty.	Order No.
PF RS 45 GR 2000MM	2	4027750000
RS 45 PROFIL L=1000	10	8140880000
AP 45/LI	20	8143910000
AP 45/RE	20	8143900000
AP 45/LI DI	20	8140870000
AP 45/RE DI	20	8140860000
LKSC M2,9x13VZ	100	4011200000

Housings, profile form

RS 70

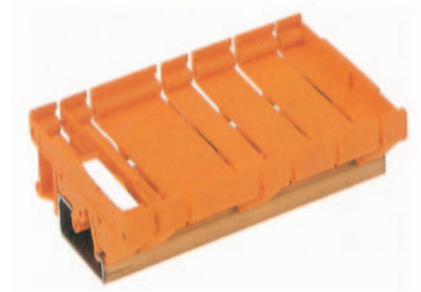
Configuration of the enclosure:

Rail-mounted version

- 1 fixing foot left,
- 1 fixing foot right,
- 1 or more intermediate pieces,
- 1 fixing foot centre if required.

onlinecomponents.com
THE ONLINE DISTRIBUTOR OF ELECTRONIC COMPONENTS

RS 70



Housings

Description

Height: TS32 = 33.5 mm, TS35x7.5 = 29 mm

Dimensions of PCB:

Thickness: 1.6 (± 0.2)mm

Length: 67.8 (- 0.2)mm

Width of intermediate piece = PCB width - 9 mm

Example:

PCB width = 64 mm, width of intermediate piece = 55 mm

Technical data

General data

Shielding
Contact to the mounting rail
Max. power loss
Number of PCB per module
Thickness of PCB
Class of protection
UL 94 combustibility class
Colour of insulating material

Shielding	-
Contact to the mounting rail	-
Max. power loss	-
Number of PCB per module	1
Thickness of PCB	1.6 (± 0.2) mm
Class of protection	V2
UL 94 combustibility class	V2
Colour of insulating material	orange

Information

Ordering data

Extruded profile

2000mm	orange
2000mm	grey
1000mm	grey
155mm	orange

Intermediate piece

5mm	
15mm	
25mm	
30mm	
45mm	

End plate w. locking foot

Without cover	grey, left version
	grey, right-hand version

Locking foot

	orange
	grey
With marking facilities	left version
	right version
Without marking facilities	left version
	right version
Central	intermediate foot

End plate for direct mounting

Without cover	grey, left version
	grey, right-hand version
	orange
	grey
For medium-high cover profile	orange
	grey
For high cover profile	orange
	grey

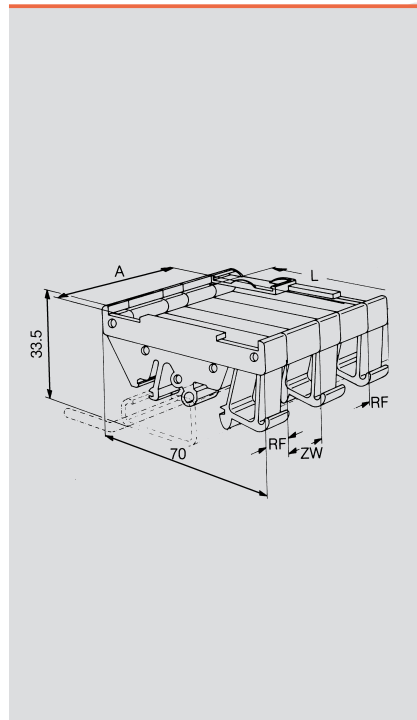
End plate for mounting rail installation

Without cover	orange
	grey
For medium-high cover profile	orange
	grey
For high cover profile	orange
	grey

Cover profile	medium-high
	high

Screws	
--------	--

Type	Qty.	Order No.
ZW 5 RS OR	20	0119760000
ZW 15 RS OR	20	0119860000
ZW 25 RS OR	20	0126160000
ZW 30 RS OR	20	0119960000
ZW 45 RS OR	20	0120060000
RF RS 70 RE/A3/M.BEZ	20	0119560000
RF RS 70 LI/A2/O.SG	20	0119660000
RF RS 70 RE/A4/O.BEZ	20	0126260000
RF RS 70 MI/A6	20	0213760000



Articles with coloured order number are kept permanently in stock at the central warehouse in Germany. Delivery times see page X.2

L

Housings, profile form

RS 100

Configuration of the housings (plus 4 screws):

- Rail-mounted version
- 2 end plates for rail mounting,
- 2 or more fixing feet,
- 1 extruded profile,
- 1 cover profile (if required).

Direct-mount version

- 2 end plates for direct mounting,
- 1 extruded profile,
- 1 cover profile (if required).

Description

3 heights are available for cover profile and end plates:

Rail mounting without cover:

TS32 = 45 mm, TS35x7.5 = 40.5 mm

Rail mounting with low cover:

TS32 = 89 mm, TS35x7.5 = 84.5 mm

Rail mounting with high cover:

TS32 = 121 mm, TS35x7.5 = 116.5 mm

Direct mounting without/low/high cover:

24 / 69 / 99 mm

Dimensions of PCB

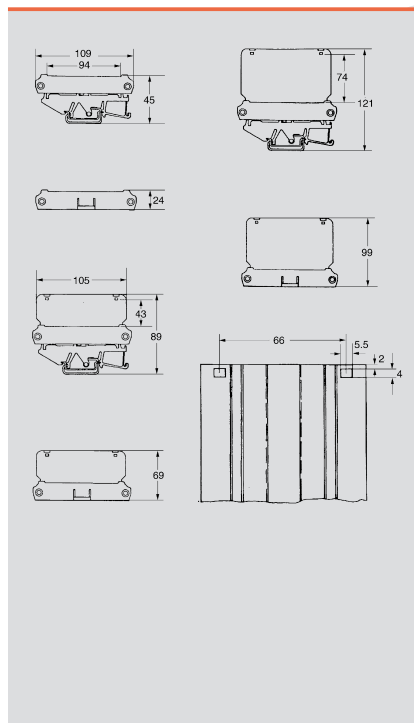
Thickness: 1.8 (+0.5) mm, width: 100 (+0.5) mm

Size of RS segment = PCB length - 4.5 mm

Size of ADP segment = PCB length - 1 mm

Example:

PCB length 160 mm, RS = 155.5 mm, ADP = 159 mm



onlinecomponents.com
THE ONLINE DISTRIBUTOR OF ELECTRONIC COMPONENTS

Technical data

General data

Shielding
Contact to the mounting rail
Max. power loss
Number of PCB per module
Thickness of PCB
Class of protection
UL 94 combustibility class
Colour of insulating material

Information

Ordering data

Extruded profile

2000mm	orange
2000mm	grey
1000mm	grey
155mm	orange

Intermediate piece

5mm
15mm
25mm
30mm
45mm

End plate w. locking foot

Without cover	grey, left version
	grey, right-hand version

Locking foot

	orange
	grey
With marking facilities	left version
	right version
Without marking facilities	left version
	right version
Central	intermediate foot

End plate for direct mounting

Without cover	grey, left version
	grey, right-hand version
	orange
	grey
For medium-high cover profile	orange
	grey
For high cover profile	orange
	grey

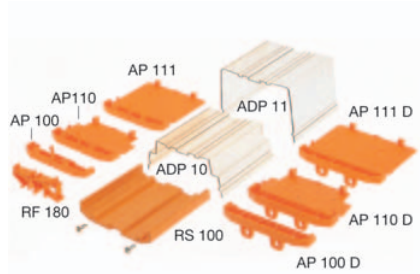
End plate for mounting rail installation

Without cover	orange
	grey
For medium-high cover profile	orange
	grey
For high cover profile	orange
	grey

Cover profile	medium-high
	high

Screws	
--------	--

RS 100



Shielding	-
Contact to the mounting rail	-
Max. power loss	-
Number of PCB per module	1
Thickness of PCB	1.8 (+ 0.5) mm
Class of protection	V2
UL 94 combustibility class	orange
Colour of insulating material	orange

Type	Qty.	Order No.
PF RS 100 OR 2000MM A.1	2	4144870000
PF RS 100 GR 2000MM A.1	2	4010870000
PF RS 100 A.1 OR 155,5	25	4148400000

RF 180	20	1324460000
RF 180 GR	20	1773400000

AP 100 D	20	1185160000
----------	----	------------

AP 110 D	10	1185360000
----------	----	------------

AP 111 D	10	1185560000
----------	----	------------

AP 100	20	1185060000
--------	----	------------

AP 110	10	1185260000
--------	----	------------

AP 111	10	1185460000
--------	----	------------

ADP 10	2	4169320000
--------	---	------------

ADP 11	2	4169330000
--------	---	------------

PTSC KB40X14 WN1412	100	4019420000
---------------------	-----	------------

Articles with coloured order number are kept permanently in stock at the central warehouse in Germany.
Delivery times see page X.2

Weidmüller

L.17

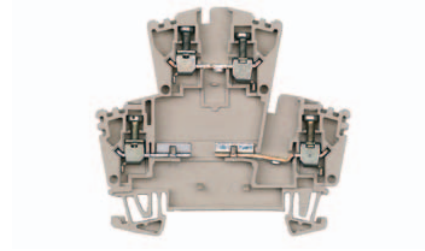
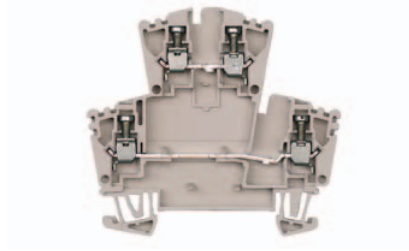
Housings, terminal form

WDK 2.5

WDK 2.5

onlinecomponents.com
THE ONLINE DISTRIBUTOR OF ELECTRONIC COMPONENTS

WDK 2.5



Technical data

General data					
Dimensions W x L x H (w. TS35 x 7.5)	mm	5.1 / 69 / 63		5.1 / 69 / 63	
Dimensions W x L x H (w. TS32)	mm				
No. of connections	total	4		4	
	left / right / top	2 / 2		2 / 2	
Access for calibration					
Shielding		not available		not available	
Contact to the mounting rail		-		-	
Max. power loss					
Number of PCB per module					
PCB-connection					
Thickness of PCB					
Class of protection		IP 20		IP 20	
Tightening torque range		0.4...0.6 Nm		0.4...0.6 Nm	
Stripping length		10		10	
Pollution severity		3		3	
Flammability class acc. UL94		V-0		V-0	
Colour of insulating material		dark beige		dark beige	
Clampable conductors (H05V/H07V)		Clamp. yoke connection	Tension clamp connection	Clamp. yoke connection	Tension clamp connection
Solid		0.5...4		0.5...4	
Flexible		0.5...2.5		0.5...2.5	
Max. conductor AWG		26 AWG...26 AWG		26 AWG...12 AWG	
Plug gauge to 60947-1		A3		A3	
Information		Continuous lower current bar		Cut-off lower current bar	

Ordering data

Individual parts		Type	Qty.	Order No.	Type	Qty.	Order No.
Moulding for TS35	with connection element for connection element for mounting rail contact, for connection element	WDK 2.5/D	100	1023200000	WDK 2.5/D/3	100	1023100000
For mounting rail TS32	with connection element						
Frame for TS35							
Frame for TS35	for connection element	WZR WDK2.5	20	1074000000	WZR WDK2.5	20	1074000000
Frame for TS32							
Top part	open closed						
Current bars (w. tension clamp)	short version long version						
Current bars	horizontal vertical						
Clamp. yoke unit	clamp. yoke + screw						
Screw							
Clamping yoke							
Mounting rail contact	current bar spring						
Information							

Accessories

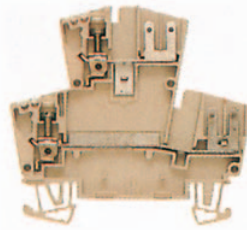
End plate	Type	Qty.	Order No.	Type	Qty.	Order No.
	WAP WDK2.5	20	1059100000	WAP WDK2.5	20	1059100000
	WAP WDK2.5 BL	20	1059180000	WAP WDK2.5 BL	20	1059180000
	WAP WDK2.5 GE	20	1059120000	WAP WDK2.5 GE	20	1059120000
	WAP WDK2.5 GN	20	1059140000	WAP WDK2.5 GN	20	1059140000
Labelling system						

Housings, terminal form

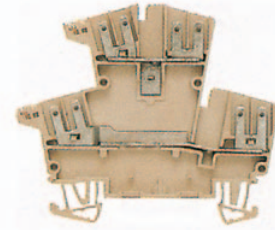
WDK 2.5 F

WDK 2.5 F

onlinecomponents.com
THE ONLINE DISTRIBUTOR OF ELECTRONIC COMPONENTS



WDK 2.5 FF



Technical data

General data					
Dimensions W x L x H (w. TS35 x 7.5)	mm	5.1 / 69.5 / 63		5.1 / 75.5 / 63	
Dimensions W x L x H (w. TS32)	mm				
No. of connections	total	4		4	
	left / right / top	2 / 2		2 / 2	
Access for calibration					
Shielding		not available		not available	
Contact to the mounting rail		-		-	
Max. power loss					
Number of PCB per module					
PCB-connection					
Thickness of PCB					
Class of protection					
Tightening torque range		0.4...0.6 Nm		0.4...0.6 Nm	
Stripping length		10		10	
Pollution severity		3		3	
Flammability class acc. UL94		V-0		V-0	
Colour of insulating material		dark beige		dark beige	
Clampable conductors (H05V/H07V)		Clamp. yoke connection	Tension clamp connection	Clamp. yoke connection	Tension clamp connection
Solid		0.5...4		0.5...4	
Flexible		0.5...2.5		0.5...2.5	
Max. conductor AWG		26 AWG...12 AWG		26 AWG...	
Plug gauge to 60947-1		A3		A3	
Information		Single side blade connector		Both side blade connector	

Ordering data

Individual parts		Type	Qty.	Order No.	Type	Qty.	Order No.
Moulding for TS35	with connection element for connection element	WDK 2.5 F	100	1021600000	WDK 2.5 FF	100	1021700000
	for mounting rail contact, for connection element						
For mounting rail TS32	with connection element						
Frame for TS35		WZR WDK2.5	20	1074000000	WZR WDK2.5	20	1074000000
Frame for TS35	for connection element						
Frame for TS32							
Top part	open						
	closed						
Current bars (w. tension clamp)	short version						
	long version						
Current bars	horizontal						
	vertical						
Clamp. yoke unit	clamp. yoke + screw						
Screw							
Clamping yoke							
Mounting rail contact	current bar						
	spring						
Information							

Accessories

End plate		Type	Qty.	Order No.	Type	Qty.	Order No.
		WAP WDK2.5	20	1059100000	WAP WDK2.5	20	1059100000
		WAP WDK2.5 BL	20	1059180000	WAP 16+35 WTW 2.5-10	20	1050100000
		WAP WDK2.5 GE	20	1059120000	WAP 16+35 WTW 2.5-10 BL	20	1050180000
		WAP WDK2.5 GN	20	1059140000	WAP 16+35 WTW 2.5-10 SW	20	1050110000
Labelling system							

Articles with coloured order number are kept permanently in stock at the central warehouse in Germany. Delivery times see page X.2

Housings, terminal form

DK 6

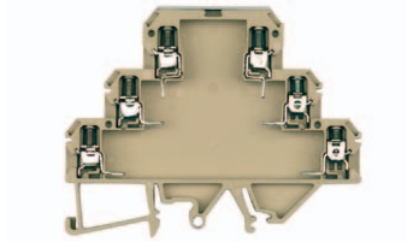
The transparent fixing top plate is used for labelling.

A DK6 housing consists of:

- 1 terminal with busbars,
- 1 top plate,
- 1 end plate (if required).

DK 6

onlinecomponents.com
THE ONLINE DISTRIBUTOR OF ELECTRONIC COMPONENTS



Technical data

General data			
Dimensions W x L x H (w. TS35 x 7.5)	mm	8 / 88.4 / 69	
Dimensions W x L x H (w. TS32)	mm	8 / 88.4 / 73	
No. of connections	total	6	
	left / right / top	3 / 3	
Access for calibration			
Shielding		not available	
Contact to the mounting rail		-	
Max. power loss			
Number of PCB per module		1	
PCB-connection			
Thickness of PCB			
Class of protection		IP 20	
Tightening torque range		0.4 Nm	
Stripping length		9	
Pollution severity		3	
Flammability class acc. UL94		V2	
Colour of insulating material		beige	
Clampable conductors (H05V/H07V)		Clamp. yoke connection	Tension clamp connection
Solid		0.5...4	
Flexible		0.5...4	
Max. conductor AWG		20 AWG...12 AWG	
Plug gauge to 60947-1			

Information

Ordering data

Individual parts	Type	Qty.	Order No.
Moulding for TS35 with connection element for connection element for mounting rail contact, for connection element	GH DK6 6 ANSCHL.	1	4042010000
For mounting rail TS32 with connection element			
Frame for TS35 with connection element			
Frame for TS35 for connection element			
Frame for TS32			
Top part open	KOPL DK6 A2 2BOHR.	1	4043950000
	closed		
Current bars (w. tension clamp) short version			
	long version		
Current bars horizontal			
	vertical		
Clamp. yoke unit clamp. yoke + screw			
Screw			
Clamping yoke			
Mounting rail contact current bar			
	spring		

Information

Accessories

End plate	Type	Qty.	Order No.
	AP DK6 PA BE	20	8324560000
Labelling system			

Articles with coloured order number are kept permanently in stock at the central warehouse in Germany. Delivery times see page X.2

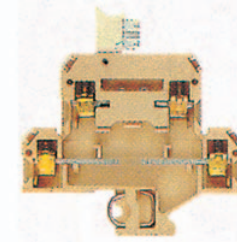
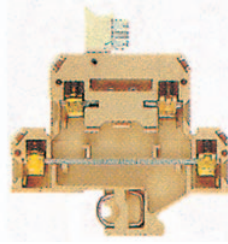
Housings, terminal form

DKT 4

DKT 4

onlinecomponents.com
THE ONLINE DISTRIBUTOR OF ELECTRONIC COMPONENTS

DKT 4 GTSE



Technical data

General data		DKT 4	DKT 4 GTSE
Dimensions W x L x H (w. TS35 x 7.5)	mm	6 / 65 / 56.5	6 / 65 / 56.5
Dimensions W x L x H (w. TS32)	mm		
No. of connections	total	4	4
	left / right / top	2 / 2	2 / 2
Access for calibration			
Shielding		not available	not available
Contact to the mounting rail		-	-
Max. power loss			
Number of PCB per module			
PCB-connection			
Thickness of PCB			
Class of protection		IP 20	IP 20
Tightening torque range		0.5...1.0 Nm	0.5...1.0 Nm
Stripping length		9	9
Pollution severity		3	3
Flammability class acc. UL94		V2	V2
Colour of insulating material		beige	beige
Clampable conductors (H05V/H07V)		Clamp. yoke connection Tension clamp connection	Clamp. yoke connection Tension clamp connection
Solid		0.5...4	0.5...4
Flexible		0.5...4	0.5...4
Max. conductor AWG		26 AWG...12 AWG	26 AWG...12 AWG
Plug gauge to 60947-1		A3	A3
Information		Continuous lower busbar	Cut-off lower busbar

Ordering data

Individual parts		Type	Qty.	Order No.	Type	Qty.	Order No.
Moulding for TS35	with connection element for connection element for mounting rail contact, for connection element	DKT 4/35	100	0687460000	DKT 4/35 GTSE	50	1115760000
For mounting rail TS32	with connection element						
Frame for TS35							
Frame for TS35	for connection element						
Frame for TS32							
Top part	open closed						
Current bars (w. tension clamp)	short version long version						
Current bars	horizontal vertical						
Clamp. yoke unit	clamp. yoke + screw						
Screw							
Clamping yoke							
Mounting rail contact	current bar spring						
Information							

Accessories

End plate	Type	Qty.	Order No.	Type	Qty.	Order No.
	AP DKT4 PA	20	0687560000	AP DKT4 PA	20	0687560000
Labelling system						

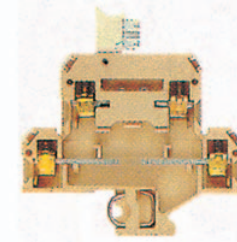
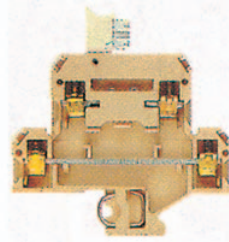
Housings, terminal form

DKT 4

DKT 4

onlinecomponents.com
THE ONLINE DISTRIBUTOR OF ELECTRONIC COMPONENTS

DKT 4 GTSE



Technical data

General data					
Dimensions W x L x H (w. TS35 x 7.5)	mm	6.2 / 65 / 56.5		6.2 / 65 / 56.5	
Dimensions W x L x H (w. TS32)	mm	4		4	
No. of connections	total	2 / 2		2 / 2	
	left / right / top				
Access for calibration		not available		not available	
Shielding		-		-	
Contact to the mounting rail					
Max. power loss					
Number of PCB per module					
PCB-connection					
Thickness of PCB					
Class of protection		IP 20		IP 20	
Tightening torque range		0.5...1.0 Nm		0.5...1.0 Nm	
Stripping length		9		9	
Pollution severity		3		3	
Flammability class acc. UL94		V2		V2	
Colour of insulating material		beige		beige	
Clampable conductors (H05V/H07V)		Clamp. yoke connection	Tension clamp connection	Clamp. yoke connection	Tension clamp connection
Solid		0.5...4		0.5...4	
Flexible		0.5...4		0.5...4	
Max. conductor AWG		26 AWG...12 AWG		26 AWG...12 AWG	
Plug gauge to 60947-1		A3		A3	
Information		Continuous lower current bar		Cut-off lower current bar	

Ordering data

Individual parts		Type	Qty.	Order No.	Type	Qty.	Order No.
Moulding for TS35	with connection element for connection element for mounting rail contact, for connection element						
For mounting rail TS32	with connection element	DKT 4D	50	1686940000	DKT 4 GTSE	50	1115660000
Frame for TS35							
Frame for TS35	for connection element						
Frame for TS32							
Top part	open closed						
Current bars (w. tension clamp)	short version long version						
Current bars	horizontal vertical						
Clamp. yoke unit	clamp. yoke + screw						
Screw							
Clamping yoke							
Mounting rail contact	current bar spring						
Information							

Accessories

End plate		Type	Qty.	Order No.	Type	Qty.	Order No.
		AP DKT4 PA	20	0687560000	AP DKT4 PA	20	0687560000
Labelling system							

Articles with coloured order number are kept permanently in stock at the central warehouse in Germany. Delivery times see page X.2

Housings, terminal form

DKT 4-6

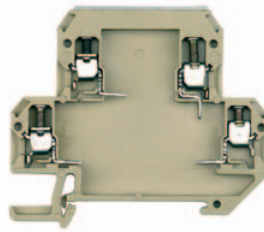
Maximum equipment level is 4 busbars plus 4 clamping yoke units. The available space for fittings and the number of connections can be doubled by adding one extra frame.

A DKT 4-6 series enclosure consists of:

- 1 terminal holder
- 1 top section
- 1-4 busbars
- 1-4 clamping yoke units
- 1 frame (if required)
- 1 end plate (if required)

DKT 4-6

onlinecomponents.com
THE ONLINE DISTRIBUTOR OF ELECTRONIC COMPONENTS



Technical data

General data			
Dimensions W x L x H (w. TS35 x 7.5)	mm	6 / 65 / 56	
Dimensions W x L x H (w. TS32)	mm		
No. of connections	total	4	
	left / right / top	2 / 2	
Access for calibration			
Shielding		not available	
Contact to the mounting rail		-	
Max. power loss			
Number of PCB per module		1	
PCB-connection			
Thickness of PCB			
Class of protection		IP 20	
Tightening torque range		0.5...1.0 Nm	
Stripping length		7	
Pollution severity		3	
Flammability class acc. UL94		V2	
Colour of insulating material		beige	
Clampable conductors (H05V/H07V)		Clamp. yoke connection	Tension clamp connection
Solid		0.5...4	
Flexible		0.5...4	
Max. conductor AWG		26 AWG...12 AWG	
Plug gauge to 60947-1			

Information

Ordering data

Individual parts	Type	Qty.	Order No.
Moulding for TS35 with connection element for connection element for mounting rail contact, for connection element	KLTR DKT 4/35 6-SERIES	1	3017730000
For mounting rail TS32 with connection element			
Frame for TS35 for connection element			
Frame for TS35 for connection element			
Frame for TS32			
Top part open	KOPL DKT 4	18	2158440000
closed	KOPL DKT4/5 ESD	18	2198360000
Current bars (w. tension clamp) short version			
long version			
Current bars horizontal	SMSE GSE5 SE	1	2047250000
vertical	SMSE GSE5 WAAGER,	3000	2047230000
Clamp. yoke unit clamp. yoke + screw			
Screw	KLSC M2.5X7 SAK2.5/SO	1	2016770000
Clamping yoke	ZB DLI2.5	1	2232500000
Mounting rail contact current bar			
spring			

Information

Accessories

End plate	Type	Qty.	Order No.
	AP DKT4 PA	20	0687560000
Labelling system			

Housings, terminal form

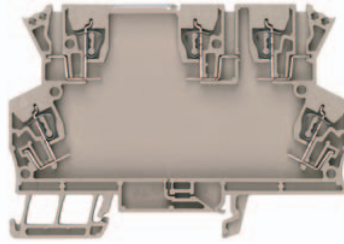
MCZ 1.5

The transparent pivotable top plate is used for labelling and calibration. Maximum equipment level requires 2 short and 3 long busbars. The available space for fittings and the number of connections can be doubled by adding one extra frame. CAD drawings that ease the production of layouts and equipping of boards (details of blocked area, max. component heights, pads, etc.), are available on request. The MCZ housing consists of:

- 1 terminal holder,
- 1 top plate,
- 1 to 5 busbars with tension spring,
- 1 end plate (if required).

MCZ 1.5

onlinecomponents.com
THE ONLINE DISTRIBUTOR OF ELECTRONIC COMPONENTS



Technical data

General data			
Dimensions W x L x H (w. TS35 x 7.5)	mm	6 / 91.3 / 63.5	
Dimensions W x L x H (w. TS32)	mm		
No. of connections	total	5	
	left / right / top	1 / 3 / 1	
Access for calibration		moveable top plate	
Shielding		not available	
Contact to the mounting rail		grounding-contact	
Max. power loss			
Number of PCB per module		1	
PCB-connection		soldered connection, directly	
Thickness of PCB		1.0 (+ 0.2) mm	
Class of protection		IP 20	
Tightening torque range			
Stripping length		6	
Pollution severity		3	
Flammability class acc. UL94		V2	
Colour of insulating material		beige	
Clampable conductors (H05V/H07V)		Clamp. yoke connection	Tension clamp connection
Solid		0.5...1.5	
Flexible		0.5...1.5	
Max. conductor AWG		26 AWG...16 AWG	
Plug gauge to 60947-1			

Information

Ordering data

Individual parts		Type	Qty.	Order No.
Moulding for TS35	with connection element	GH MCZ1.5	1	2224220000
	for connection element	GH MCZUE1.5	1	2238930000
For mounting rail TS32				
	with connection element	RA MCZ1.5	25	2224240000
Frame for TS35				
Frame for TS35				
Frame for TS32				
Top part	open	KOPL MCZ1.5	18	2224040000
	closed			
Current bars (w. tension clamp)	short version	SMSE KU FE MCZ 1.5	1	2224390000
	long version	SMSE LN FE MCZ 1.5	1	2224380000
Current bars				
	horizontal			
	vertical			
Clamp. yoke unit				
	clamp. yoke + screw			
Screw				
Clamping yoke				
Mounting rail contact	current bar	SMSE UE MCZ1.5	1	2239510000
	spring	KOFE ZDL2.5S	1	2226380000

Information

Accessories

End plate		Type	Qty.	Order No.
		AP MCZ1.5	50	8389030000

Labelling system

Articles with coloured order number are kept permanently in stock at the central warehouse in Germany. Delivery times see page X.2

onlinecomponents.com

