

Accessories

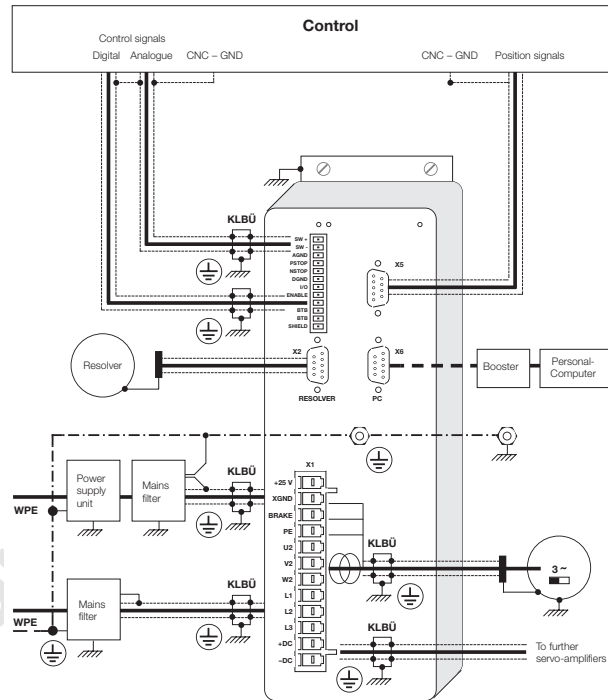
Accessories	Shield connection terminals KLBÜ	G.2
	Multi-pole terminal strips for direct mounting	G.12
	Busbars	G.18
	Terminal rails	G.24
	Terminal markers	G.34
	Printing systems	G.52
	Tools	G.60
	Wire end ferrules	G.82
	Insulated cable connectors	G.94

The theoretical concept

Part 1 of the VDE 0133 standard specifies the required equipotential bonding for the electrical components of a machine. The aim is to prevent any undesirable consequences occurring as a result of electrostatic, electromagnetic and net-work bound interference.

The following measures serve this purpose:

- Using filters and time delay devices.
- Dividing earth (PE) into “dirty” and “clean”.
- Neutral grounding using large earth cables for bonding.
- Keeping all bonding leads as short as possible.
- Routing all connections parallel to the bonding surface.
- Separation and shielding of switching devices and interference sensitive equipment, shielded at one end only.
- Shielded lines are used for all motor and all signal connection. These shielded cables for signals are grounded at one end. Drives to Motors should be grounded at both ends.
- The mass current is neutral grounded



Overview of KLBÜ fittings available

For busbars
10 x 3



For direct mounting



For C-profiles



For TS 35
insulating/conducting



Clip-on for
10 x 3 busbar



In detail

Compression spring

- To ensure both simple handling and proper connection with permanent contact pressure as a result of the spring effect

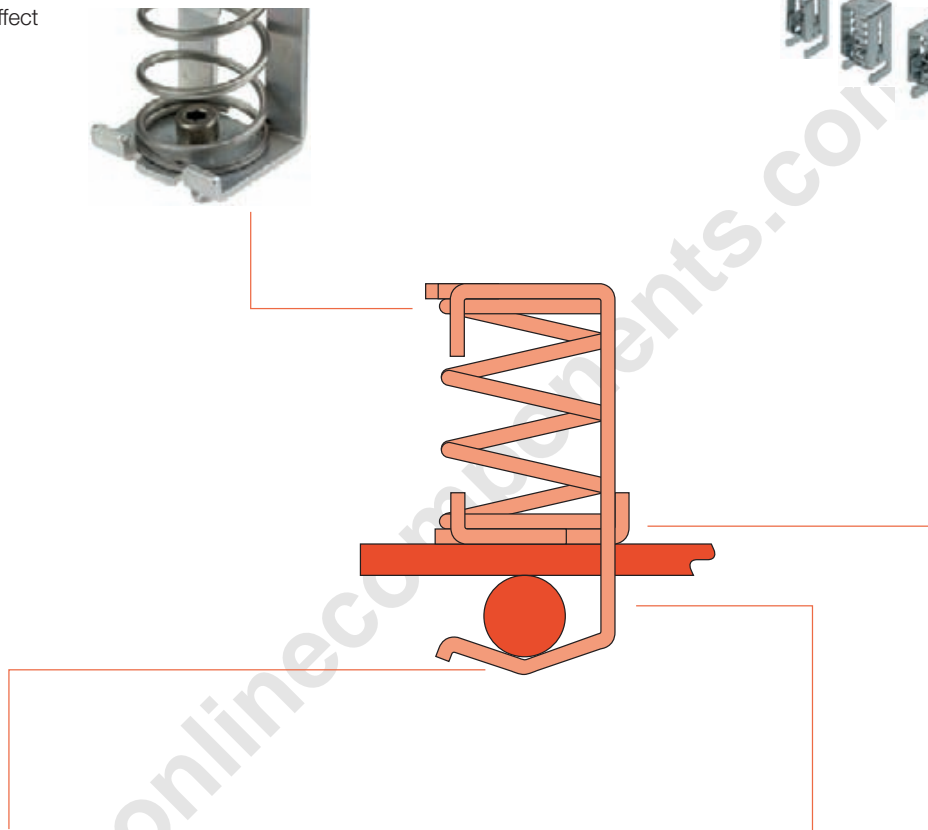
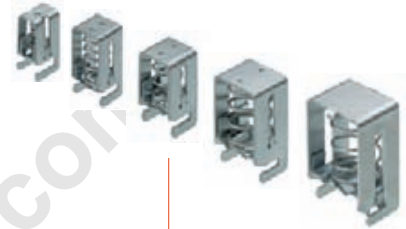


No extra tools necessary

- Simply **swivel onto the busbar by hand** – retrospectively if necessary

Full range

- For conductors from 2 to 37 mm diameter



Reliable contact

- Changes in diameter (flow) of the conductor compensated for by the elastic behaviour of the clamping yoke for flexible adjustment to the cable diameter

Many options available

- Weidmüller offers a wide range of different fastenings for mounting shield connection terminals

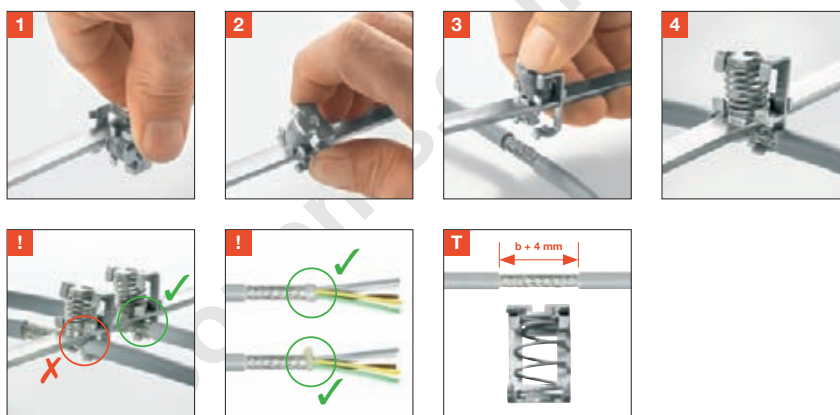
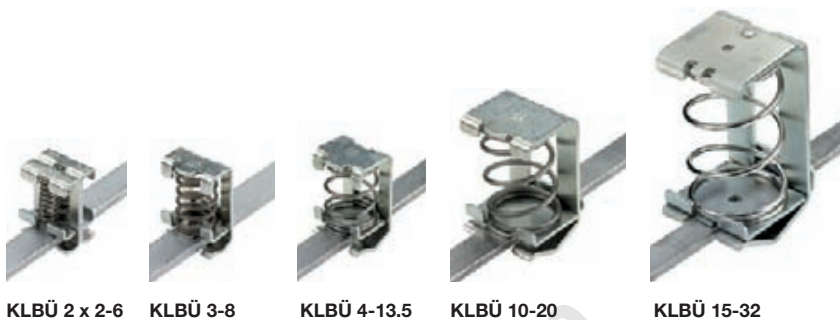
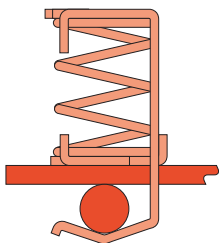
Shield connection terminals KLBÜ for 10 x 3 mm busbars

onlinecomponents.com
THE ONLINE DISTRIBUTOR OF ELECTRONIC COMPONENTS

Accessories

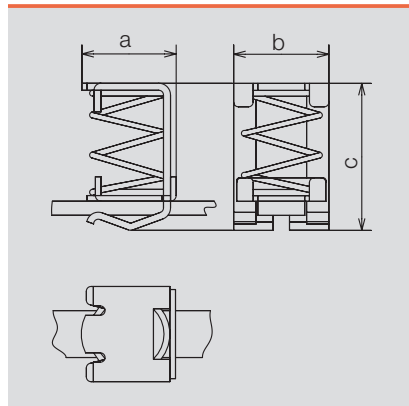
Clamping yoke



Cable fastened against the busbar from below



G

KLBÜ



Marking on the product: 
 Marking EN 50019:  Ex e II
 Marking EX-RL 94/9/EC: II 2 G D
 EC type testing certificate: DMT 02 ATEX E 024 U

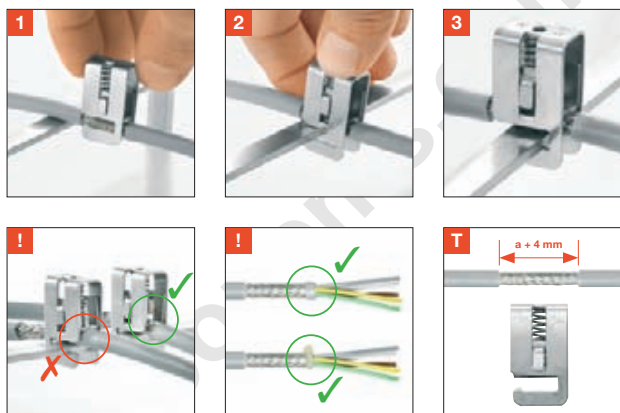
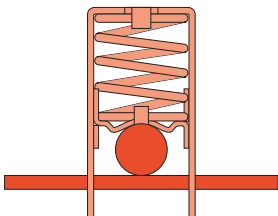
Ordering data

Type	For cable diameter	Dimensions (a x b x c) mm	Qty.	Order No.
KLBÜ 2 x 2-6	2.0 ... 6.0 mm	15.0 x 18.0 x 24.0	10	1675350000
KLBÜ 3-8	3.0 ... 8.0 mm	13.0 x 18.0 x 26.0	10	1600480000
KLBÜ 4 x 13.5	4.0 ... 13.5 mm	20.0 x 20.5 x 31.5	10	1592810000
KLBÜ 10-20	10.0 ... 20.0 mm	25.0 x 26.0 x 40.0	10	1600490000
KLBÜ 15-32	15.0 ... 32.0 mm	36.0 x 32.0 x 63.9	10	1716300000

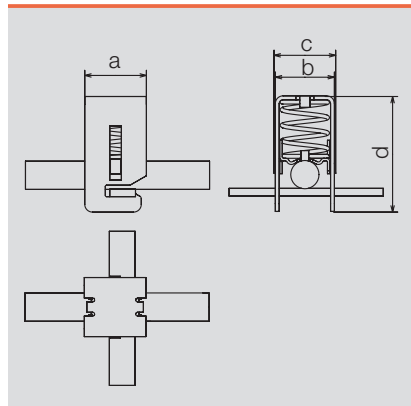
10 x 3 mm busbars	Length	Material	Qty.	Order No.
SSch 10 x 3 x 1000 Cu, Sn, Pb	1000.0 mm	Cu, Sn, Pb	1	0348900000
SSch 10 x 3 x 1000 Fe, Zn, 8B	1000.0 mm	Fe, Zn, 8B	1	1746130000

Clamping yoke

Cable fastened onto the busbar from above





KLBÜ CO



Ordering data

Type	For cable diameter	Dimensions (a x b x c x d) mm	Qty.	Order No.
KLBÜ CO 1	3.0 ... 10.0 mm	18.0 x 12.0 x 13.2 x 32.0	10	1753311001
KLBÜ CO 2	4.0 ... 15.0 mm	18.0 x 20.0 x 21.1 x 41.6	10	1752131001
KLBÜ CO 3	10.0 ... 20.0 mm	25.0 x 23.0 x 24.0 x 45.0	10	1749151001
KLBÜ CO 4	15.0 ... 28.0 mm	25.0 x 31.0 x 32.0 x 56.0	10	1749161001
KLBÜ CO 5	20.0 ... 37.0 mm	32.0 x 40.0 x 42.7 x 64.5	10	1755081001

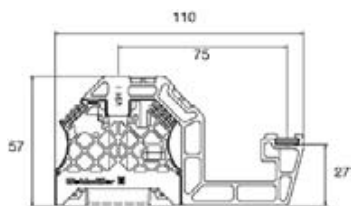
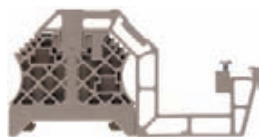
10 x 3 mm busbars	Length	Material	Qty.	Order No.
SSch 10 x 3 x 1000 Cu, Sn, Pb	1000.0 mm	Cu, Sn, Pb	1	0348900000
SSch 10 x 3 x 1000 Fe, Zn, 8B	1000.0 mm	Fe, Zn, 8B	1	1746130000

Marking on the product: 
 Marking EN 50019:  Ex e II
 Marking EX-RL 94/9/EC: II 2 G D
 EC type testing certificate: DMT 02 ATEX E 024 U

Busbar holders

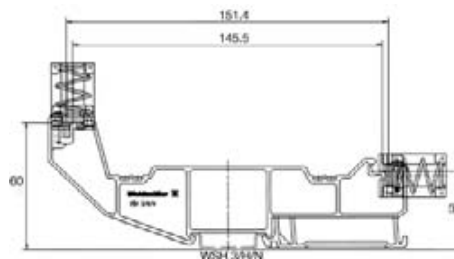
Insulated mounting on TS 35

Type WSH 1



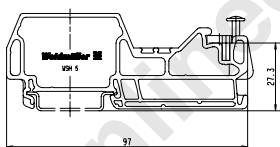
Horizontal mounting only

Type WSH 3/H/N

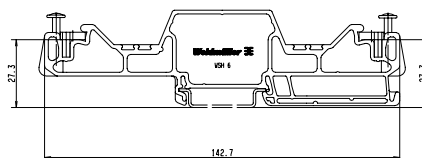


G

Type WSH 5



Type WSH 6



WSH

EC type testing certificate: DMT 02 ATEX E 024 U

Ordering data

Type	Width	Qty.	Order No.
WSH 1	8.0 mm	10	1068700000
WSH 3/H/N	8.0 mm	10	1715970000
WSH 5	8.0 mm	10	1080100000
WSH 6	8.0 mm	10	1080200000

10 x 3 mm busbars	Length	Material	Qty.	Order No.
SSch 10 x 3 x 1000 Cu, Sn, Pb	1000.0 mm	Cu, Sn, Pb	1	0348900000

Busbar holders

Conductive mounting on TS 35

TS 35-Clip
BS 35/WSH 2



Busbar connector
BFEH 1/WSH

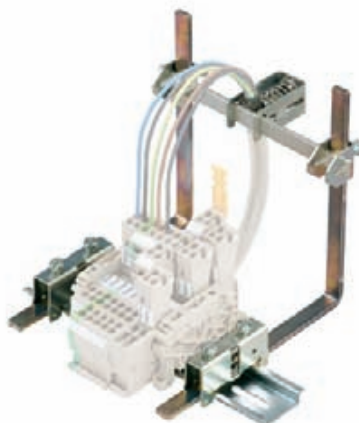


Angled rail
SMSE WSH U1MT



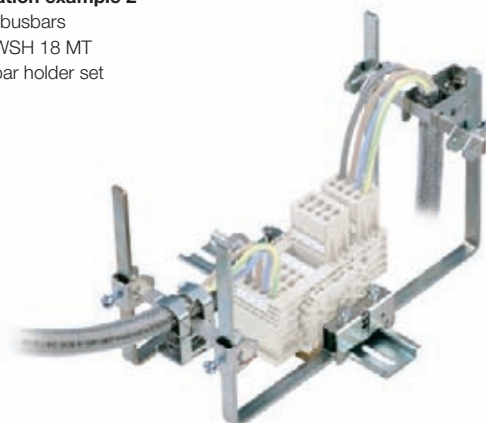
Installation example 1

- One busbar
- 2 x WSH 19 MT busbar holder set



Installation example 2

- Two busbars
- 2 x WSH 18 MT busbar holder set



WSH

EC type testing certificate: DMT 02 ATEX E 024 U

Ordering data

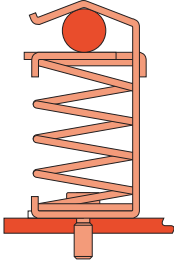
TS 35-Clip	Dimensions (L x B x H) mm			Qty.	Order No.	
BS 35/WSH 2	52.0 x 37.0 x 13.0			10	1760720000	
Busbar connector	Dimensions (L x B x H) mm			Qty.	Order No.	
BFEH 1/WSH	20.0 x 31.0 x 13.5			10	1082400000	
Angled rail	Dimensions (L x B x H) mm			Qty.	Order No.	
SMSE WSH U1MT	134.0 x 13.0 x 134.0			10	1083900000	
Busbar holder sets	Contents (parts loose in plastic bag)				Qty.	Order No.
	BS 35/WSH 2	BFEH 1/WSH	SMSE WSH U1MT			
WSH 18 MT	1 ea.	2 ea.	2 ea.	10	1083100000	
WSH 19 MT	1 ea.	1 ea.	1 ea.	10	1083200000	
WSH 20 MT	1 ea.	1 ea.	1 ea. (straight)	10	1752950000	
10 x 3 mm busbars	Length	Material	Qty.	Order No.		
SSch 10 x 3 x 1000 Cu, Sn, Pb	1000.0 mm	Cu, Sn, Pb	1	0348900000		
SSch 10 x 3 x 1000 Fe, Zn, 8B	1000.0 mm	Fe, Zn, 8B	1	1746130000		

Shield connection terminals KLBÜ – Mounting directly on metal plate

onlinecomponents.com
THE ONLINE DISTRIBUTOR OF ELECTRONIC COMPONENTS

Accessories

Clamping yoke



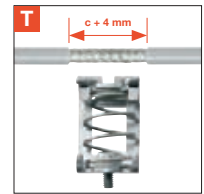
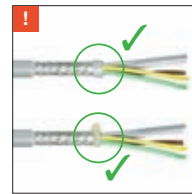
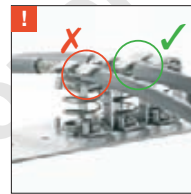
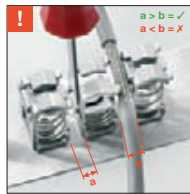
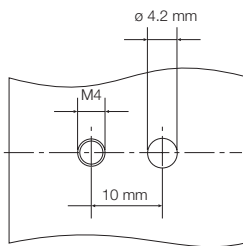
KLBÜ 3-8 SC

KLBÜ 4-13.5 SC

KLBÜ 10-20 SC

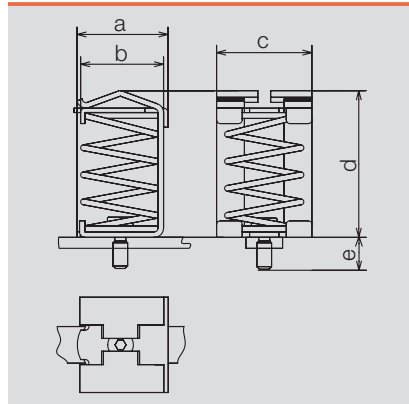
KLBÜ 15-32 SC



Drilling template KLBÜ 15-32 SC



G

KLBÜ SC



Marking on the product: 
 Marking EN 50019:  Ex e II
 Marking EX-RL 94/9/EC: II 2 G D
 EC type testing certificate: DMT 02 ATEX E 024 U

Ordering data

Type	For cable diameter	Thread length	Dimensions (a x b x c) mm	Qty.	Order No.
KLBÜ 3-8 SC	3.0 ... 8.0 mm	5.65 mm	13.5 x 11.5 x 18.0 x 26.0	10	1692261001
KLBÜ 4-13.5 SC	4.0 ... 13.5 mm	5.30 mm	20.0 x 17.8 x 20.3 x 31.4	10	1712311001
KLBÜ 10-20 SC	10.0 ... 20.0 mm	5.30 mm	24.8 x 23.0 x 26.0 x 40.0	10	1712321001
KLBÜ 15-32 SC	15.0 ... 32.0 mm	4.80 mm	36.0 x 33.3 x 32.0 x 64.0	10	1718341001

Operating tool	Qty.	Order No.
BTWZ KLBÜ	1	1742630000

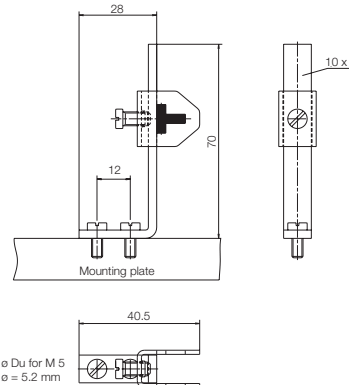


Busbar holder / Spacer

Busbar holder



Set (WSH 4 MT) consisting of:
 - 1 busbar holder
 - 1 busbar connector (BFEH 1/WSH)



Spacer



M6 outer and inner thread
 (15 mm, 20 mm and 30 mm long)



WSH 4 MT / SP

EC type testing certificate: DMT 02 ATEX E 024 U

Ordering data

Busbar holder	Qty.	Order No.
WSH 4 MT	10	1079900000

Type	Length	Qty.	Order No.
SP 15, set of 2	15 mm	1	3896100000
SP 20, set of 2	20 mm	1	3896200000
SP 30, set of 2	30 mm	1	3896300000

FM 4 foot / Clamping yoke holder

FM 4 foot



The KLBÜ SC clamping yokes (see page G.8) are screwed onto the **FM 4** foot.



Clamping yoke holder



BS 35 II (without KLBÜ)



BS 35 II / KLBÜ 3-8

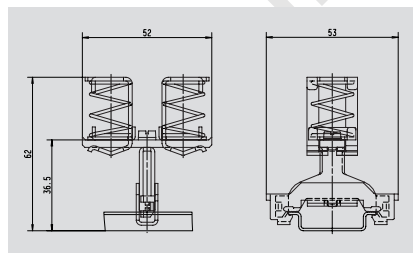


BS 35 II / KLBÜ 3-8 / 2 x 2-6



FM 4 / BS 35 II

Ordering data

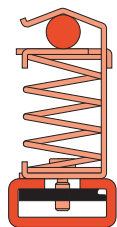
FM 4 foot	Qty.	Order No.
FM 4	40	0687900000



Clamping yoke holder	For cable diameter	Qty.	Order No.
BS 35 II	without KLBÜ	10	1723800000
BS 35 II / KLBÜ 3-8	3.0 ... 8.0 mm	10	1723810000
BS 35 II / KLBÜ 4-13.5	4.0 ... 13.5 mm	10	1723820000
BS 35 II / KLBÜ 3-8/2 x 2-6	3.0 ... 8.0 mm / 2.0 ... 6.0 mm	10	1749430000
BS 35 II / KLBÜ 2 x 3-8/2 x 2-6	3.0 ... 8.0 mm / 2.0 ... 6.0 mm	10	1768020000

Marking on the product: 
 Marking EN 50019:  Ex e II
 Marking EX-RL 94/9/EC: II 2 G D
 EC type testing certificate: DMT 02 ATEX E 024 U

Clamping yoke



KLBÜ 3-8 CPF



KLBÜ 4-13.5 CPF



KLBÜ 10-20 CPF

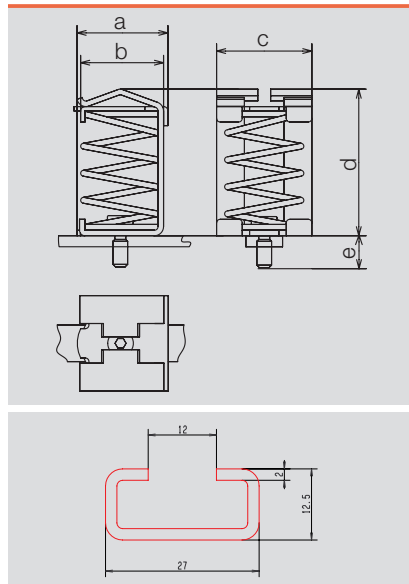


KLBÜ 15-32 CPF

Accessories

G



KLBÜ CPF



Ordering data

Type	For cable diameter	Dimensions (a x b x c x d) mm	Qty.	Order No.
KLBÜ 3-8 CPF	3.0 ... 8.0 mm	13.5 x 11.5 x 18.0 x 26.0	10	1752681001
KLBÜ 4-13.5 CPF	4.0 ... 13.5 mm	20.0 x 17.8 x 20.3 x 31.4	10	1752691001
KLBÜ 10-20 CPF	10.0 ... 20.0 mm	24.8 x 23.0 x 26.0 x 40.0	10	1752701001
KLBÜ 15-32 CPF	15.0 ... 32.0 mm	36.0 x 33.3 x 32.0 x 64.0	10	1752711001

C-rail	Qty.	Order No.
TS 27 x 12.5M / ST / FZN	10 m	1802690000

Marking on the product: 
 Marking EN 50019:  Ex e II
 Marking EX-RL 94/9/EC: II 2 G D
 EC type testing certificate: DMT 02 ATEX E 024 U

Multi-pole terminal strips for direct mounting

Screw connection

MK 2/12

2.5 mm²

MK 3/2...12

2.5 mm²



Width/Height/ø mounting hole	mm
Length / mounting dimensions	
Max. clamping range	mm ²

15 x 15 / 3.2
Refer to order data
0.2...4

15 x 16.1 / 3.45
Refer to order data
0.33...4

Technical data

Rated data	
Rated voltage	V
Rated current	A
Rated cross-section	mm ²
Rated impulse voltage / Pollution severity	kV/-
Gauge to IEC 60947-1 / UL94 Flammability class	
Approvals	
Clamped conductors (H05V/H07V)	
solid / stranded	mm ²
flexible / Stranded wire with end ferrules	mm ²
Tightening torque range (clamping screw)	
Stripping length / Blade size	mm/-

IEC 60947-7-1		
IEC	UL	CSA
125	300	300
24	10	10
2.5	AWG 24...12	AWG 24...12
3 / 3		
A2 / 5VA		
UL		
Rated connection		
0.5...4 / 1.5...2.5		
0.5...2.5 / 0.5...1.5		
0.4 NmM 2.5		
5 / 0.6 x 3.5 mm		

IEC 60947-7-1		
IEC	UL	CSA
400	300	300
24	25	25
2.5	AWG 22...12	AWG 22...12
6 / 3		
A2 / 5VA		
UL		
Rated connection		
0.5...4 / 1.5...2.5		
0.5...2.5 / 0.5...1.5		
0.4...0.45 Nm (M 2.5)		
5 / 0.6 x 3.5 mm		

Note

--

--

Ordering data

Version
2-pole
3-pole
4-pole
5-pole
6-pole
7-pole
8-pole
9-pole
10-pole
12-pole
14-pole
16-pole

Type	Length/Mounting dimensions	Qty	Order No.
MK 2/12	86 mm 80.0 mm	50	0241260000

Type	Length/Mounting dimensions	Qty	Order No.
MK 3/2	17.4 mm 18.5 mm	100	0273820000
MK 3/3	26.5 mm 18.5 mm	50	0273920000
MK 3/4	35.75 mm 18.5 mm	50	0274020000
MK 3/5	45 mm 18.5 mm	50	0274120000
MK 3/6	54.25 mm 37.0 mm	50	0274220000
MK 3/7	63.5 mm 37.0 mm	50	0274320000
MK 3/8	72.75 mm 55.5 mm	25	0274420000
MK 3/9	82 mm 55.5 mm	25	0274520000
MK 3/10	91.25 mm 74.0 mm	20	0274620000
MK 3/12	110 mm 92.5 mm	20	0243520000

Note

--

--

Accessories

Solder strip	
Marking strips, printed	
Printed	
Marking strips, unprinted	
Unprinted	

Type	Width	Qty	Order No.
MF 2/12 1X2.8/1.6	75 mm	100	0241760000
Marking strips, printed			
BSTB 28/12/6,35 U 1-12		50	0245700000
BSTB 28/12/6,35 O 1-12		50	0278500000
Marking strips, unprinted			
BSTO 28/12/6,35		50	0245600000

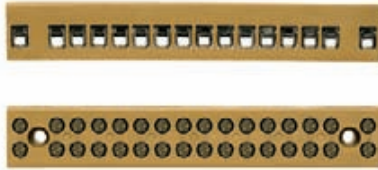
Type	Qty	Order No.
Marking strips, printed		
BSTB 28/12 MK U 1-12	50	0245900000
BSTB 28/8 MK U 1-8	50	0290200000
BSTB 28/6 MK U 1-6	50	0290000000
Marking strips, unprinted		
BSTO 28/12 MK	50	0245800000
BSTO 28/8 MK3/8	50	0284700000
BSTO 28/6 MK	50	0289500000
BSTO 28/4 MK3/4	50	0289300000

(see assortment in catalogue 7)

For detailed information on other accessories and applications, refer to the „Accessories“ section

MK 4/16

2.5 mm²



17 x 16 / 3.4

Refer to order data

0.2...4

IEC 60947-7-1

IEC	UL	CSA
400	150	150
24	20	15
2.5	AWG 22...12	AWG 22...12
	6 / 3	
	A2 / 5VA	



Rated connection

0.5...4 / 1.5...2.5

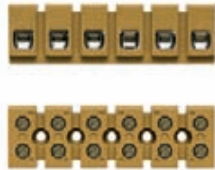
0.5...2.5 / 0.5...1.5

0.4...0.45 Nm (M 2.5)

5 / 0.6 x 3.5 mm

MK 6/2...6/6

6 mm²



23 x 22 / 3.4

Refer to order data

0.33...6

IEC 60947-7-1

IEC	UL	CSA
690	300	300
41	30	40
6	AWG 22...10	AWG 22...10
	8 / 3	
	A3 / 5VA	



Rated connection

0.5...6 / 1.5...6

0.5...6 / 0.5...4

1.2...2.0 Nm (M 4)

9 / 4.0 x 0.8 mm

MK 10/14

2.5 mm²



13.5 x 12 / 3.1

Refer to order data

0.21...4

IEC 60947-7-1

IEC	UL	CSA
125	150	300
24	25	10
2.5	AWG 22...12	AWG 24...12
	3 / 3	
	A2 / V2	



Rated connection

0.5...4 / 1.5...2.5

0.5...2.5 / 0.5...1.5

0.4...0.45 Nm (M 2.5)

6 / 0.6 x 3.5 mm

Type	Length/Mounting dimensions	Qty	Order No.
MK 4/16	103 mm 85.5 mm	20	0244220000

Type	Width	Qty	Order No.
BSTB 28/16 MK U 1-16		50	0262200000
BSTB 28/16 MK O 1-16		50	0278700000
BSTO 28/16 MK 4/16		50	0262100000

Type	Length/Mounting dimensions	Qty	Order No.
MK 6/2	23.5 mm	50	0620420000
MK 6/3	36.5 mm 13.0 mm	50	0620320000
MK 6/4	49.5 mm 26.0 mm	20	0620220000
MK 6/6	75.5 mm 52.0 mm	20	0620120000

Type	Width	Qty	Order No.
------	-------	-----	-----------

Type	Length/Mounting dimensions	Qty	Order No.
MK 10/14	88.5 mm	20	0370160000

Type	Width	Qty	Order No.
------	-------	-----	-----------

Multi-pole terminal strips for direct mounting

Screw connection

MK 5/2 0.DE

2.5 mm²

KS 2...10

2.5 mm²



Width/Height/ø mounting hole	mm
Length / mounting dimensions	
Max. clamping range	mm ²

18 x 14 / 4.2
Refer to order data
0.2...4

25 x 17.5 / 4.2
Refer to order data
0.2...4

Technical data

Rated data	
Rated voltage	V
Rated current	A
Rated cross-section	mm ²
Rated impulse voltage / Pollution severity	kV/-
Gauge to IEC 60947-1 / UL94 Flammability class	
Approvals	
Clamped conductors (H05V/H07V)	
solid / stranded	mm ²
flexible / Stranded wire with end ferrules	mm ²
Tightening torque range (clamping screw)	
Stripping length / Blade size	mm/-

IEC	UL	CSA
500		
24		
2.5		
	6 / 3	
	A2 / 5VA	
Rated connection		
0.5...4 / 1.5...2.5		
0.5...2.5 / 0.5...1.5		
0.4 NmM 2.5		
5 / 0.6 x 3.5 mm		

IEC 60947-7-1

IEC	UL	CSA
500	300	300
24	20	25
2.5	AWG 22...12	AWG 24...12
	6 / 3	
	A2 / 5VA	
Rated connection		
0.5...4 / 1.5...2.5		
0.5...2.5 / 0.5...1.5		
0.5...0.7 Nm (M 3)		
8 / 4.0 x 0.8 mm		

Note

Ordering data

Version	
2-pole	
3-pole	
4-pole	
6-pole	
10-pole	
12-pole	
Note	

Type	Length/Mounting dimensions	Qty	Order No.
MK 5/2 0.DE	40 mm 32.0 mm	100	0243820000
Note			

Type	Length/Mounting dimensions	Qty	Order No.
KS 2 0.D2	42 mm 32.0 mm	100	0134420000
KS 4 0.D4	66 mm 56.0 mm	50	0140320000
KS 6 0.D6	90 mm 80.0 mm	50	0140620000
KS 10 0.D10	138 mm 128.0 mm	20	0141620000
Note			

Accessories

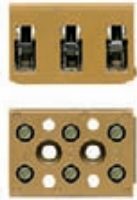
Lid / cover	
Marking strips, printed	
Printed	
Marking strips, unprinted	
Unprinted	

Type	Width	Qty	Order No.
D 2 MK5/2 PA/NA	18 mm	50	0244060000
Note			

Type	Width	Qty	Order No.
D2 KS2 TP	25 mm	100	0134500000
D4 KS4 TP	48 mm	50	0140500000
D6 KS6 TP	72 mm	50	0140800000
D10 KS10 TP	120 mm	20	0141800000
Note			
ELSB 2 BEZ. 1-2		50	0143200000
ELSB 4 BEZ. 1-4		50	0143300000
ELSB 6 BEZ. 1-6		50	0143400000
ELSB 10 BEZ. 1-10		50	0143500000
Note			
ELSO 2 F.KS 2		50	0142800000
ELSO 4 F.KS 4		50	0142900000
ELSO 6 F.KS 6		50	0143000000
ELSO 10 F.KS 10		50	0143100000

(see assortment in catalogue 7)

For detailed information on other accessories and applications, refer to the „Accessories“ section

BK 2...12**4 mm²****22 x 20 / 3.4**

Refer to order data

0.33...4

IEC 60947-7-1

IEC	UL	CSA
400	300	300
32	10	10
4	AWG 22...12	AWG 22...12
	6 / 3	
	A3 / 5VA	

**Rated connection**

0.5...4 / 1.5...4

0.5...4 / 0.5...4

0.5...0.6 Nm (M 3)

8 / 4.0 x 0.8 mm

2 single-wire conductors with same cross-section (0.5...1.5 mm²) can be connected.

Type	Length/Mounting dimensions	Qty	Order No.
BK 2 CRN	20 mm	100	0624720000
BK 3 CRN	31 mm 11.0 mm	100	0624920000
BK 4 CRN	38 mm 18.0 mm	100	0625120000
BK 6 CRN	52 mm 32.0 mm	50	0625220000
BK 12 CRN	92 mm 72.5 mm	25	0625320000

Type	Width	Qty	Order No.
BSTB 28/2 BK U 1-2		50	0203600000
BSTB 28/4 BK U 1-4		50	0197300000
BSTB 28/6 BK U 1-6		50	0197500000
BSTB 28/12 BK U 1-12		50	0198800000
BSTO 28/2 BK		50	0203500000
BSTO 28/3 BK		50	0203700000
BSTO 28/4 BK		50	0197200000
BSTO 28/6 BK		50	0197400000
BSTO 28/12 BK		50	0198700000

Multi-pole terminal strips for direct mounting

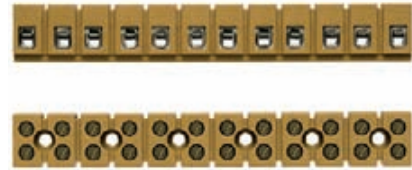
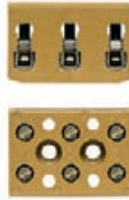
Screw connection ATEX approval

BK 2...12/E

4 mm²

MK 3/2...12/E

2.5 mm²



Width/Height/ø mounting hole	mm
Length / mounting dimensions	
Max. clamping range	mm ²

22 x 20 / 3.4

Refer to order data

0.33...4

15 x 16.1 / 3.45

Refer to order data

0.33...4

Technical data

Rated data	
Rated voltage	V
Rated current	A
Rated cross-section	mm ²
Rated impulse voltage / Pollution severity	kV/-
Gauge to IEC 60947-1 / UL94 Flammability class	
Approvals	
Clamped conductors (H05V/H07V)	
solid / stranded	mm ²
flexible / Stranded wire with end ferrules	mm ²
Tightening torque range (clamping screw)	
Stripping length / Blade size	mm/-
Note	

IEC 60947-7-1

IEC	UL	CSA
400		
32		
4	AWG 22...12	AWG 22...12
	6 / 3	
	A3 / 5VA	
Rated connection		
0.5...4 / 1.5...4		
0.5...4 / 0.5...4		
0.5...0.6 Nm (M 3)		
8 / 4.0 x 0.8 mm		
Note		
2 single-wire conductors with same cross-section (0.5...1.5 mm ²) can be connected.		

IEC 60947-7-1

IEC	UL	CSA
400		
24		
2.5	AWG 22...12	AWG 22...12
	6 / 3	
	A2 / 5VA	
Rated connection		
0.5...4 / 1.5...2.5		
0.5...2.5 / 0.5...1.5		
0.4...0.45 Nm (M 2.5)		
5 / 0.6 x 3.5 mm		
Note		

Ordering data

Version	Type	Length/Mounting dimensions	Qty	Order No.
2-pole	BK 2/E	20 mm	100	7906040000
3-pole	BK 3/E	31 mm	11.0 mm	100 7906060000
4-pole	BK 4/E	38 mm	18.0 mm	100 7906080000
5-pole				
6-pole	BK 6/E	52 mm	32.0 mm	50 7906090000
7-pole				
8-pole				
9-pole				
10-pole				
11-pole				
12-pole	BK 12/E	92 mm	72.5 mm	25 7906100000
Note				

Type	Length/Mounting dimensions	Qty	Order No.
BK 2/E	20 mm	100	7906040000
BK 3/E	31 mm 11.0 mm	100	7906060000
BK 4/E	38 mm 18.0 mm	100	7906080000
BK 6/E	52 mm 32.0 mm	50	7906090000
BK 12/E	92 mm 72.5 mm	25	7906100000

Type	Length/Mounting dimensions	Qty	Order No.
MK 3/2/E	17.4 mm 18.5 mm	100	7906110000
MK 3/3/E	26.5 mm 18.5 mm	100	7906120000
MK 3/4/E	35.75 mm 18.5 mm	50	7906130000
MK 3/5/E	45 mm 18.5 mm	50	7906140000
MK 3/6/E	54.25 mm 37.0 mm	50	7906150000
MK 3/7/E	63.5 mm 37.0 mm	25	7906160000
MK 3/8/E	72.75 mm 55.5 mm	25	7906170000
MK 3/9/E	82 mm 55.5 mm	25	7906180000
MK 3/10/E	91.25 mm 74.0 mm	25	7906190000
MK 3/11/E	100.5 mm 74.0 mm	20	7906200000
MK 3/12/E	110 mm 92.5 mm	25	7906210000

Accessories

Marking strips, printed	Type	Qty	Order No.
Printed	BSTB 28/2 BK U 1-2	50	0203600000
	BSTB 28/4 BK U 1-4	50	0197300000
	BSTB 28/6 BK U 1-6	50	0197500000
	BSTB 28/12 BK U 1-12	50	0198800000
Marking strips, unprinted	Type	Qty	Order No.
Unprinted	BSTO 28/2 BK	50	0203500000
	BSTO 28/3 BK	50	0203700000
	BSTO 28/4 BK	50	0197200000
	BSTO 28/6 BK	50	0197400000
	BSTO 28/12 BK	50	0198700000

Type	Qty	Order No.
BSTB 28/2 BK U 1-2	50	0203600000
BSTB 28/4 BK U 1-4	50	0197300000
BSTB 28/6 BK U 1-6	50	0197500000
BSTB 28/12 BK U 1-12	50	0198800000
BSTO 28/2 BK	50	0203500000
BSTO 28/3 BK	50	0203700000
BSTO 28/4 BK	50	0197200000
BSTO 28/6 BK	50	0197400000
BSTO 28/12 BK	50	0198700000

Type	Qty	Order No.
BSTB 28/12 MK U 1-12	50	0245900000
BSTB 28/8 MK U 1-8	50	0290200000
BSTB 28/6 MK U 1-6	50	0290000000
BSTO 28/12 MK	50	0245800000
BSTO 28/8 MK3/8	50	0284700000
BSTO 28/6 MK	50	0289500000
BSTO 28/4 MK3/4	50	0289300000

(see assortment in catalogue 7)

For detailed information on other accessories and applications, refer to the „Accessories“ section

MK 6/2...6/E

6 mm²



23 x 22 / 3.4

Refer to order data

0.33...6

IEC 60947-7-1

IEC	UL	CSA
690		
41		
6	AWG 22...10	AWG 22...10
	8 / 3	
	A3 / 5VA	



Rated connection

0.5...6 / 1.5...6

0.5...6 / 0.5...4

1.2...2.0 Nm (M 4)

9 / 4.0 x 0.8 mm

Type	Length/Mounting dimensions	Qty	Order No.
MK 6/2/E	23.5 mm	50	7906220000
MK 6/3/E	36.5 mm 13.0 mm	50	7906230000
MK 6/4/E	49.5 mm 26.0 mm	20	7906240000
MK 6/5/E	62.5 mm 26.0 mm	20	7906250000
MK 6/6/E	75.5 mm 52.0 mm	20	7906260000

Type	Width	Qty	Order No.

Busbars

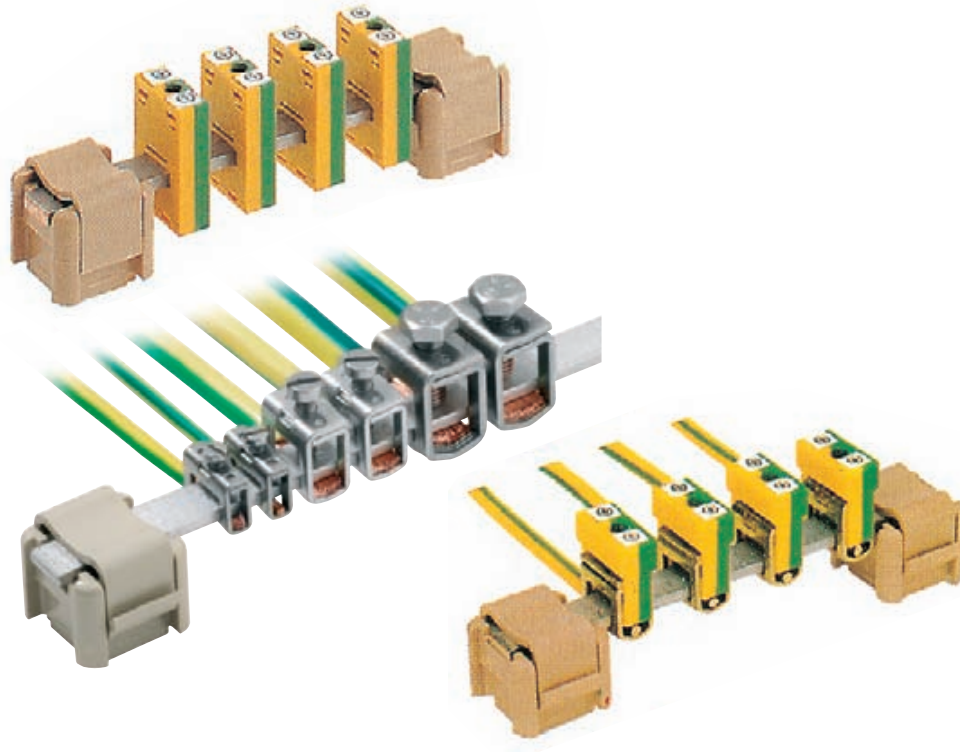
In switchgears and controls, it may be necessary to bring the neutral conductor and the protective conductor together at a central point. Busbars are available for this purpose and can be used for connecting a large number of conductors in a confined space (up to 70 conductors on a 1 m busbar). The conductors are connected by means of a screw clamp or tension clamp. Busbars are held in position by pressure clamps or screw clamps onto the busbar holders. The cable clamps can be pushed onto the busbar and adjusted to the entire wiring in the system. The busbars can be used unperforated in any lengths. They are fixed using the SH busbar holder which can, for longer busbars, also be positioned between the clamps.

in the system. The cable clamp serves as the protective conductor connection and can be supplied with green/yellow insulating caps. These caps indicate the protective function and marking tags allow clear identification of each conductor. If the cable clamps are used to connect neutral conductors, they can be marked with a blue insulating cap.

ZBE 6 can also be swivelled onto the busbar retrospectively

In order to bring together neutral conductors and protective conductors at a central point, it is advantageous to use ZB cable clamps together with 10 x 3 or 6 x 6 busbars. The cable clamps can be pushed onto the busbar and adjusted to the entire wiring

Cable clamps



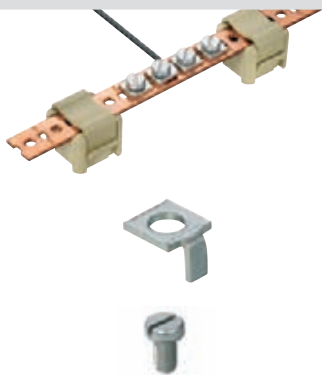
Busbars, unperforated



SSch

Type	Material	Cross-section	Length	Current carrying capacity	Qty.	Order No.
SSch 10 x 3	Copper, tin-plated	10 x 3 mm	1 m	140 A	1	0348900000
SSch 10 x 3	Steel, galvanised	10 x 3 mm	1 m		1	0438000000
SSch 10 x 3	Brass, blank	10 x 3 mm	1 m	100 A	1	0259800000
SSch 6 x 6	Copper, tin-plated	6 x 6 mm	1 m	140 A	1	0571300000
SSch 6 x 6	Brass, blank	6 x 6 mm	1 m	100 A	1	0571200000
SSch 15 x 6	Copper, tin-plated	15 x 6 mm	1 m	265 A	1	0357400000

Busbars, perforated



NSch / ESch

Type	Material	Cross-section	Length	Current carrying capacity	Qty.	Order No.
NSch 15 x 2	Copper, blank	15 x 2 mm	1 m	80 A	1	0280200000
ESch 12 x 2	Steel, galvanised	12 x 2 mm	1 m		1	0280300000

Pressure piece	Qty.	Order No.
DKSUE	100	0280100000
Clamping screw	Qty.	Order No.
BFSC M5 x 8	100	0296700000

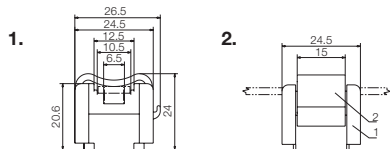
Connection data NSch / ESch

Screw connection solid	0.5 ... 2.5 mm ²
Stripping length	9 mm
Cable lug connection	max. 16 mm ²
Max. current per connection	27 A

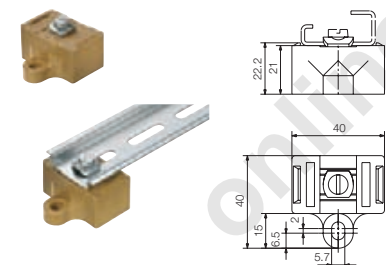
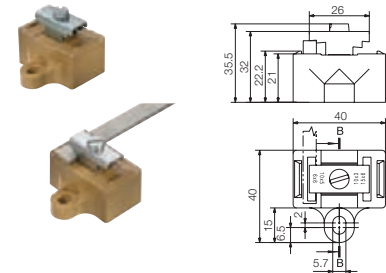
Busbars

Busbar holders

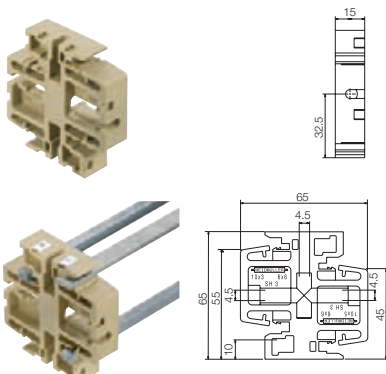
With clip and base



With metal bridge



With metal bridge



SH

Type	Figure	For busbar cross-section	Qty.	Order No.
SH 1 TS 15 complete	1.	10 x 3, 6 x 6, 15 x 2, 12 x 2	20	0299860000
	2.	15 x 2, 15 x 6		

Individual parts SH1

SH 1 Base	20	0401460000
-----------	----	------------

SH 1 Clip

SH 1 Clip	500	0635960000
-----------	-----	------------

Fixing screw for SH1

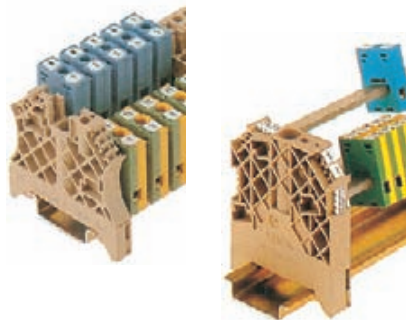
BFSC M4x9	for 1 SH1	100	0103300000
BFSC M4x30	for 2 SH1 stacked	50	0267100000

Type	For busbar cross-section	Qty.	Order No.
SH 2S	10 x 3, 6 x 6, 15 x 6, 10 x 5	10	0641720000

Type	Qty.	Order No.	
SH 2	The arrangement of mounting rails in totally insulated facilities	10	0494920000

Type	For busbar cross-section	Qty.	Order No.
SH 3	10 x 3, 6 x 6, 10 x 5	10	0556660000

Busbar holders

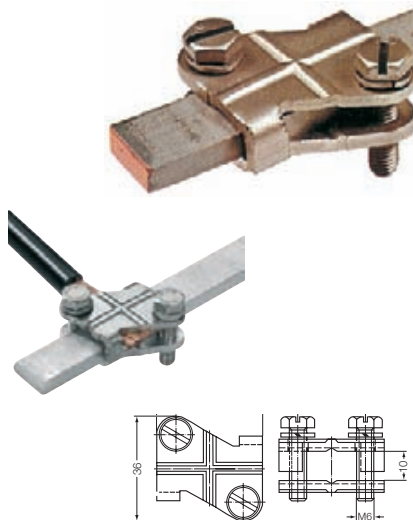


WEW

Type	For busbar cross-section	Qty.	Order No.
WEW 35/1	10 x 3, 6 x 6	50	1059000000
WEW 35/2	10 x 3, 6 x 6	100	1061200000

WEW 35/1 and WEW35/2 as busbar holder together with the ZB 4 G tension clamp

Connection element



AK 95

Type	For busbar cross-section	Qty.	Order No.
AK 95	15 x 6 mm	10	0364200000

The AK 95 connection element is used as a tension clamp for 15 x 6 busbars Connection cross-sections:

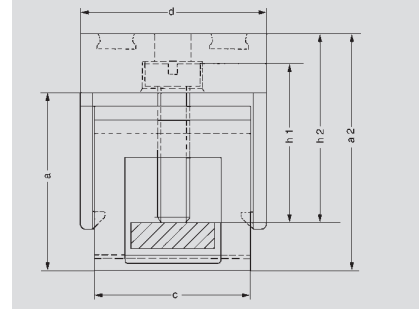
e = 6...16 mm²

f = 6...50 mm²

m = 16...50 mm²

G

Cable clamp, uninsulated



For 10 x 3 mm busbars



Connection cross-section:
Solid 0.5 ... 6.0 mm²
Flexible 0.5 ... 4.0 mm²
Stranded -
Clamping screw M 3
Stripping length 16 mm

For retrofitting



Connection cross-section:
Solid 1.0 ... 10 mm²
Flexible 1.5 ... 10 mm²
Stranded -
Clamping screw M 4
Stripping length 19 mm

Also for 10 x 5 mm busbar



Connection cross-section:
Solid 1.5 ... 10 mm²
Flexible 2.5 ... 10 mm²
Stranded -
Clamping screw M 4
Stripping length 19 mm



Connection cross-section:
Solid 2.5 ... 16 mm²
Flexible 2.5 ... 16 mm²
Stranded 16 ... 25 mm²
Clamping screw M 4
Stripping length 16 mm



Connection cross-section:
Solid -
Flexible 16 ... 35 mm²
Stranded 16 ... 50 mm²
Clamping screw M 6
Stripping length 19 mm

For 6 x 6 mm busbar



Connection cross-section:
Solid 0.5 ... 6.0 mm²
Flexible 0.5 ... 4.0 mm²
Stranded -
Clamping screw M 3
Stripping length 16 mm



Connection cross-section:
Solid 2.5 ... 16 mm²
Flexible 2.5 ... 16 mm²
Stranded 16 ... 25 mm²
Clamping screw M 4
Stripping length 12 mm

ZB / ZBE

Type	Colour	Dimensions [mm]				Qty.	Order No.
		a	width	c	h1		
ZB 4, blank	-	11.7	5.6	16.0	10.0	50	0316500000
Insulating cap	blue					50	0475480000
Insulating cap	green / yellow					50	0475460000

ZBE 6, blank	-	19.5	8.2	19.5	19.0	50	0459500000
Insulating cap	blue					50	0526080000
Insulating cap	green / yellow					50	0526060000

ZB 10, blank	-	19.5	8.2	19.5	19.0	50	1261300000
--------------	---	------	-----	------	------	----	------------

ZB 16, blank	-	17.0	10.0	16.0	17.0	50	0316600000
Insulating cap	blue					50	0502980000
Insulating cap	green / yellow					50	0502960000

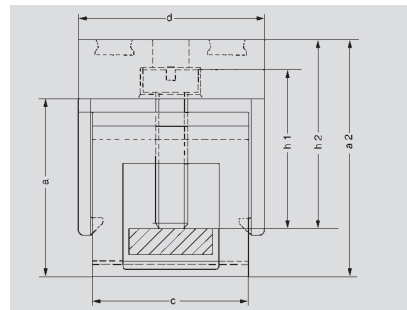
ZB 35, blank	-	21.0	14.4	18.4	20.5	20	0266500000
Insulating cap	blue					50	0502780000

ZB

Type	Colour	Dimensions [mm]				Qty.	Order No.
		a	b	c	h1		
ZB 4/6, blank		14.7	5.6	12.5	10.0	50	0556700000

ZB 16/6, blank		19.0	10.0	12.5	17.0	50	0556800000
----------------	--	------	------	------	------	----	------------

Cable clamp, insulated



For 10 x 3 mm busbars

	Connection cross-section:						
	Solid	0.5 ... 6.0 mm ²					
	Flexible	0.5 ... 4.0 mm ²					
	Stranded	-					
	Clamping screw	M 3					
	Stripping length	16 mm					

For retrofitting

	Connection cross-section:						
	Solid	1.0 ... 10 mm ²					
	Flexible	1.5 ... 10 mm ²					
	Stranded	-					
	Clamping screw	M 4					
	Stripping length	19 mm					

	Connection cross-section:						
	Solid	2.5 ... 16 mm ²					
	Flexible	2.5 ... 16 mm ²					
	Stranded	16 ... 25 mm ²					
	Clamping screw	M 4					
	Stripping length	16 mm					

	Connection cross-section:						
	Solid	-					
	Flexible	16 ... 35 mm ²					
	Stranded	16 ... 50 mm ²					
	Clamping screw	M 6					
	Stripping length	19 mm					

Tension clamp connection

	Connection cross-section:						
	Solid	0.5 ... 4.0 mm ²					
	Flexible	0.5 ... 2.5 mm ²					
	Stranded	-					
	Stripping length	10 mm					

For 6 x 6 mm busbar

	Connection cross-section:						
	Solid	0.5 ... 6.0 mm ²					
	Flexible	0.5 ... 4.0 mm ²					
	Stranded	-					
	Clamping screw	M 3					
	Stripping length	16 mm					

	Connection cross-section:						
	Solid	2.5 ... 16 mm ²					
	Flexible	2.5 ... 16 mm ²					
	Stranded	16 ... 25 mm ²					
	Clamping screw	M 4					
	Stripping length	12 mm					

ZB / ZBE / ZF

Type	Colour	Dimensions [mm]				Qty.	Order No.
		a2	width	d	h2		
ZB 4 G GN/GE	green/yellow	27.0	7.6	19.7	15.5	50	0322160000
ZB 4 G BL	blue	27.0	7.6	19.7	15.5	50	0322180000
ZB 4 G SW	black	27.0	7.6	19.7	15.5	50	0322110000
ZB 4K GN/GE	grün/gelb	18.5	6.0	19.0	13.0	50	0475360000
ZB 4K BL	blue	18.5	6.0	19.0	13.0	50	0475380000
ZBE 6K GN/GE	green/yellow	27.0	8.0	22.5	23.0	50	0525960000
ZBE 6K BL	blue	27.0	8.0	22.5	23.0	50	0525980000
ZBE 6K SW	black	27.0	8.0	22.5	23.0	50	0525910000
ZB 16K GN/GE	green/yellow	24.0	10.0	19.2	20.0	50	0502860000
ZB 16K BL	blue	24.0	10.0	19.2	20.0	50	0502880000

ZB 35K GN/GE	green/yellow	25.0	14.4	32.0	20.5	20	0502660000
ZB 35K BL	blue	25.0	14.4	32.0	20.5	20	0502680000
ZB 35K SW	black	25.0	14.4	32.0	20.5	20	0502610000

ZF 4 S	beige	22.0	6.1	24.5	-	50	1814680000
ZF 4 S BL	blue	22.0	6.1	24.5	-	50	1814660000
ZF 4 S GN/GE	green/yellow	22.0	6.1	24.5	-	50	1814670000

ZB

Type	Colour	Dimensions [mm]				Qty.	Order No.
		a2	b	d	h2		
ZB 4/6K GN/GE	green/yellow	21.2	6.0	25.0	14.0	50	0565460000
ZB 4/6K BL	blue	21.2	6.0	25.0	14.0	50	0565480000
ZB 16/6K GN/GE	green/yellow	26.0	9.7	25.0	20.0	50	0569660000

Terminal rail systems

Both active and passive components and intelligent modules are mounted on terminal rails – a method which has proven its worth over the years. But it is only after the use of certain consumables – which are frequently not taken into consideration – that electrical installation is finally completed. In this chapter, users will find a range of terminal rails and profile rails for component installation together with end brackets for holding and isolating the components. This guarantees firm installation and isolation. Weidmüller supplies components which show perfect functional compatibility.

Terminal rails are made of either steel, stainless steel, aluminium, copper or plastic, depending on the area of application.

Stainless steel

Stainless steel is a collective noun for all kinds of steel (alloys) which are smelted in a special process and have a high degree of purity. Stainless steel has much-enhanced resistance to corrosion. Weidmüller's stainless steel terminal rails have the following composition: X5 CrNi 18-10 stainless steel (i.e. ~ 18 % chromium, ~ 10 % nickel).

Aluminium

Aluminium is second only to copper in its electrical conductivity. One advantage is its light weight. Aluminium oxidises quickly in air; thus passivated, it offers excellent corrosion protection.

Copper

Copper, a heavy metal, has the best electrical conductivity of all metals used. As it is a soft metal, Weidmüller's terminal rails are 2.3 mm thick.

Plastic

The plastic terminal rail scores on two counts: firstly, its insulating properties, and secondly, its low weight. This leads to its use in special applications where, for example, clearance and creepage distances with respect to the mounting plate cannot be achieved with the standard terminal rails.

Steel

Weidmüller started developing RoHS-compliant surfaces at a very early stage to meet the requirements of EU directives. This commitment is now paying off because Weidmüller products comply with the statutory instruments at an early date and provide you, the customer, with the customary, high Weidmüller quality. All the yellow-passivated surfaces so well known to users will in future be replaced by terminal rails with the new **WIN-Q** surface finish. This name stands for the Weidmüller quality, in other words excellent surface protection and, at the same time, excellent electrical properties.

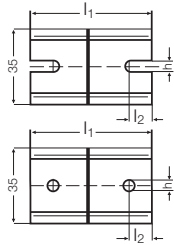
A terminal rail can also be used as a protective conductor busbar. Weidmüller PE / earth terminals in the W-Series, Z-Series, I-Series, SAK- and AKZ-Series comply with requirements stipulated in IEC 60 947-7-2. According to VDE 0100 part 540, for conductors with cross-sectional areas exceeding 10 mm², both protective and neutral conductors may be grouped together as a single category of conductors designated PEN.

If a terminal rail is used as a PEN busbar, the following criteria must be observed:

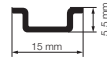
- Only E-Cu or aluminium profiles are allowed
- Short-circuit currents and thermal rated currents must be taken into account
- The terminal rails are to be insulated as a contribution to protective insulation

All unperforated terminal rails can be provided with fixing holes (state dimensions h and l2).
Possible diameters are 3.5 / 5.6 / 5.5 / 7 mm.

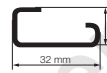
All unperforated steel rails can also be supplied with welded on steel studs (state dimension a and required studs).



TS 15



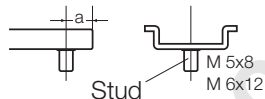
TS 32



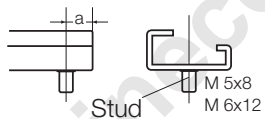
TS 35



TS 35



TS 32

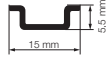


TS 15

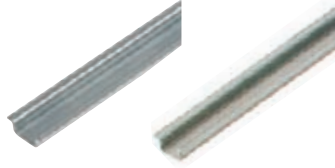


Terminal rails

TS15 terminal rail



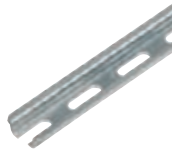
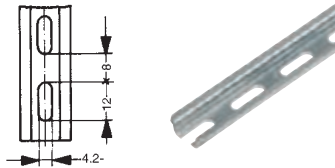
Unperforated



TS 15 x 5

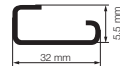
Aluminium	Short-circuit strength	Material thickness	Length	Qty.	Order No.
TS 15x5 2M/AL/BK (max. permissible rated current for PEN function = 76 A)	16 mm ²	1 mm	2 m	10 m	0134700000
Steel, galvanised and passivated					
TS 15x5 2M/ST/ZN	10 mm ²	1 mm	2 m	2 m	0514200000

With slotted hole

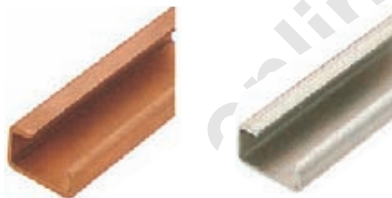


Aluminium	Short-circuit strength	Material thickness	Length	Qty.	Order No.
TS 15x5/LL 2M/AL/BK (max. permissible rated current for PEN function = 76 A)	16 mm ²	1 mm	2 m	2 m	0217900000
Steel, galvanised and passivated					
TS 15x5/LL 2M/ST/ZN	10 mm ²	1 mm	2 m	2 m	0117500000
TS 15x5/LL 1M/ST/ZN	10 mm ²	1 mm	1 m	10 m	0117510000

TS 32 terminal rail



Unperforated



TS 32 x 15

Aluminium	Short-circuit strength	Material thickness	Length	Qty.	Order No.
TS 32X15 2M/AL/BK (max. permissible rated current for PEN function = 192 A)	70 mm ²	1.5 mm	2 m	2 m	0169300000
Steel, galvanised and passivated					
TS 32X15 2M/ST/ZN	35 mm ²	1.5 mm	2 m	2 m	0122800000

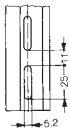
Copper

TS 32X16.2 2M/CU/BK (max. permissible rated current for PEN function = 269 A)	120 mm ²	2.1 mm	2 m	2 m	0364300000
----------------------------------------------------------------------------------	---------------------	--------	-----	-----	------------

Stainless steel

TS 32X15 2M/CRN	35 mm ²	1.5 mm	2 m	2 m	0293220000
-----------------	--------------------	--------	-----	-----	------------

With slotted hole

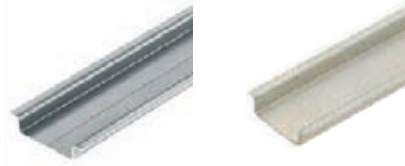


Steel, galvanised and passivated	Short-circuit strength	Material thickness	Length	Qty.	Order No.
TS 32X15/LL 2M/ST/ZN	35 mm ²	1.5 mm	2 m	2 m	0514400000

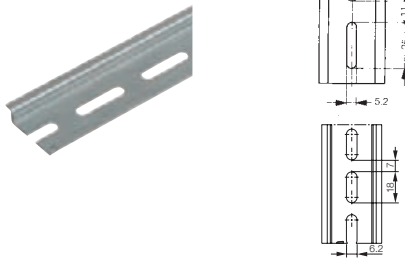
TS 35 x 7,5 terminal rail



Unperforated



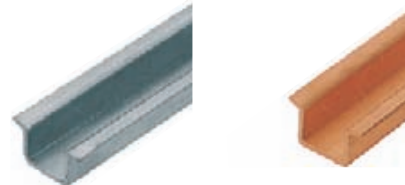
With slotted hole



TS 35 x 15 terminal rail



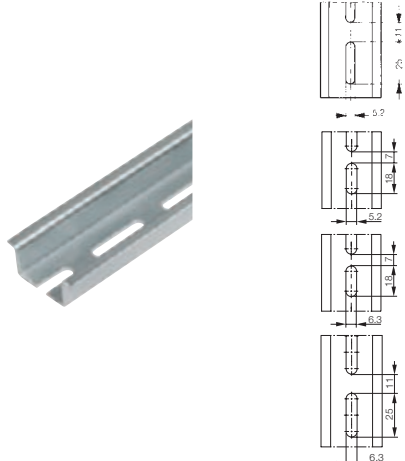
Unperforated



Unperforated



With slotted hole



TS 35 x 7.5

Aluminium	Short-circuit strength	Material thickness	Length	Qty.	Order No.
TS 35X7.5 2M/AL/BK	35 mm ²	1 mm	2 m	2 m	0330800000
(max. permissible rated current for PEN function = 125 A)					
Steel, galvanised and passivated					
TS 35X7.5 2M/ST/ZN	16 mm ²	1 mm	2 m	2 m	0383400000
TS 35X7.5 1M/ST/ZN	16 mm ²	1 mm	1 m	10 m	0383410000
Stainless steel					
TS 35X7.5 2M/CRN	16 mm ²	1 mm	2 m	2 m	1747350000

Steel, galvanised and passivated	Short-circuit strength	Material thickness	Length	Qty.	Order No.
TS 35X7.5/LL 2M/ST/ZN	16 mm ²	1 mm	2 m	2 m	0514500000
TS 35X7.5/LL 1M/ST/ZN	16 mm ²	1 mm	1 m	10 m	0514510000

TS 35X7.5/LL/6 2M/ST/ZN	16 mm ²	1 mm	2 m	2 m	0514570000
-------------------------	--------------------	------	-----	-----	------------

TS 35 x 15

Copper	Short-circuit strength	Material thickness	Length	Qty.	Order No.
TS 35X15/2.3 2M/CU/BK	150 mm ²	2.3 mm	2 m	2 m	0270100000
(max. permissible rated current for PEN function = 309 A)					
Steel, galvanised and passivated					
TS 35X15/2.3 2M/ST/ZN	50 mm ²	2.3 mm	2 m	2 m	0498000000
Aluminium					
TS 35X15/2.3 2M/AL/BK	70 mm ²	2.3 mm	2 m	2 m	1848290000
(max. permissible rated current for PEN function = 192 A)					

Steel, galvanised and passivated	Short-circuit strength	Material thickness	Length	Qty.	Order No.
TS 35X15 2M/ST/ZN	25 mm ²	1.5 mm	2 m	2 m	0236400000

Steel, galvanised and passivated	Short-circuit strength	Material thickness	Length	Qty.	Order No.
TS 35X15/LL 2M/ST/ZN	25 mm ²	1.5 mm	2 m	2 m	0236500000
TS 35X15/LL 1M/ST/ZN	25 mm ²	1.5 mm	1 m	10 m	0236510000

TS 35X15LL/5 2M/ST/ZN	25 mm ²	1.5 mm	2 m	2 m	1837380000
-----------------------	--------------------	--------	-----	-----	------------

TS 35X15/LL/6x18 2M/ST/ZN	25 mm ²	1.5 mm	2 m	2 m	1805980000
---------------------------	--------------------	--------	-----	-----	------------

TS 35X15/LL/6x25 2M/ST/ZN	25 mm ²	1.5 mm	2 m	2 m	1866290000
---------------------------	--------------------	--------	-----	-----	------------

Terminal rails

TS 35 x 15 terminal rail



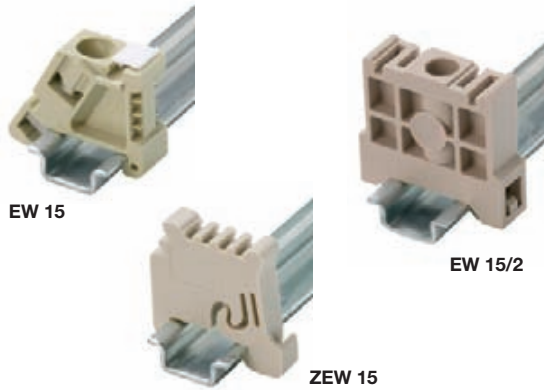
TSK 35 x 15

Plastic PVC RAL 7035	Length	Qty.	Order No.
TSK 35X15 2M PVC/GR	2 m	2 m	0514300000

onlinecomponents.com

End brackets

For TS 15 terminal rail

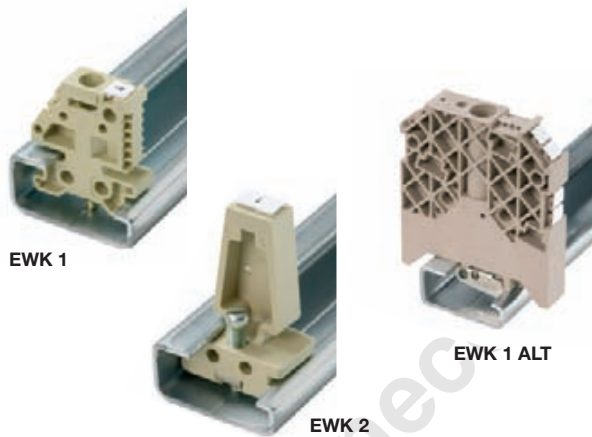


Polyamide 66, screw-in	Colour	Torque	Qty.	Order No.
EWK AKA 2.5	beige	0.4 Nm	50	0348660000
EW 15	beige	0.4 Nm	50	0382860000

Polyamide with fibreglass, screw-in	Colour	Torque	Qty.	Order No.
EW 15/2	dark beige	0.4 Nm	50	1071900000

Polyamide 66, screwless	Colour	Torque	Qty.	Order No.
ZEW 15	beige		20	7920340000

For terminal rail TS 32



Polyamide 66, screw-in	Colour	Torque	Qty.	Order No.
EWK 2	beige	1.2 Nm	50	0199360000
EWK 1 TS 32 M4X18	beige	1.2 Nm	50	0206160000
EWK 1 ALT	beige	0.6 Nm	50	0495160000

Polyamide with fibreglass, screw-in	Colour	Torque	Qty.	Order No.
WEW 32/1	dark beige	0.5 Nm	50	1067600000

For terminal rail TS 35



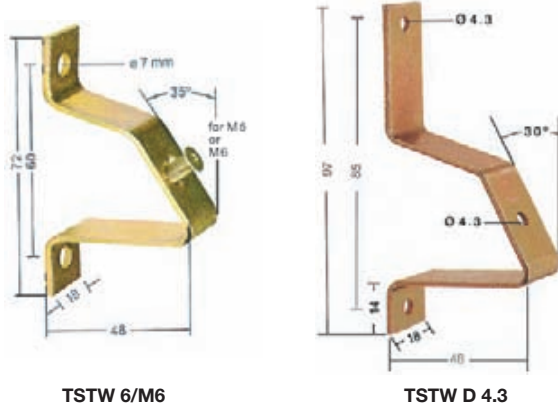
Polyamide 66, screw-in	Colour	Torque	Qty.	Order No.
EW 35	beige	0.5 Nm	50	0383560000
EW 35 GR	grey	0.5 Nm	50	0383530000

Polyamide with fibreglass, screw-in	Colour	Torque	Qty.	Order No.
WEW 35/1	dark beige	1.2 Nm	50	1071900000
WEW-35/2	dark beige	0.5 Nm	100	1061200000

Polyamide 66, screwless	Colour	Torque	Qty.	Order No.
ZEW (6 mm)	beige		20	9540000000
ZEW 35/2 (8 mm)	beige		20	8630740000

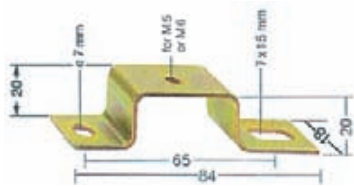
Terminal rail supports / Mounting feet

Terminal rail supports



TSTW 6/M6

TSTW D 4.3



TST

	Thread	Qty.	Order No.
TSTW 5/M5	M5	10	0178100000
TSTW 5/M5 galvanised	M6	10	1779100000
TSTW 6/M6	M5	10	0164000000
TSTW D 4.3	Hole \varnothing 4.3 mm	10	1610110000

Terminal rail supports of type **TSTW** are used for angled fixing of terminal rails at an angle of 35°.

TST 2/M5	M5	10	1286600000
TST 2/M6	M6	10	0101700000

The **TST** terminal rail support is used for assembly of terminal rails in a frame or over a cut-out

Fixing screws			
FKSC M5x8 \varnothing 9		50	0295900000
FKSC M6x8 \varnothing 9		50	0642600000
FKSC M6x12 \varnothing 9		50	0353500000

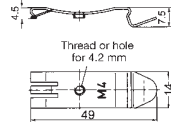
Weidmüller supplies fixing screws with hexagonal sockets and a very low head for the terminal rail supports so that the terminals can also be fitted over the screw.

Terminal rail supports / Mounting feet

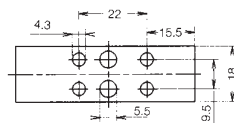
Mounting feet



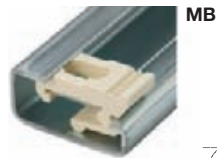
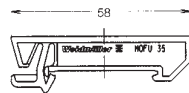
FM



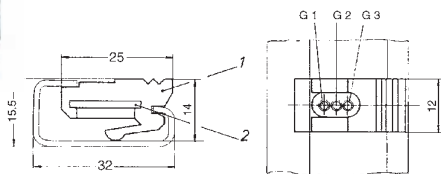
MOFU 35/LO/1



MOFU 35



MB



Clip-on foot, steel for TS 35	Thread	Qty.	Order No.
FM 4	M4	40	0687900000
FM 5	M5	40	0636800000
FM 6	M6	40	0636900000
FM 4.2	Hole \varnothing 4.2 mm	40	1724580000

Mounting foot, PA orange for TS 35		Qty.	Order No.
MOFU 35/LO/1	with holes	20	0646260000
MOFU 35		20	0495660000

Sliding nut for TS 32		Colour	Qty.	Order No.
MB M3/M5	M3 und M5	creme	20	0503500000
MB M5/M3	M5 und M3	black	20	0553400000
MB M6/M4	M6 und M4	grey	20	0334900000

The sliding nut for the RS 32 terminal rail has two threaded holes for screws M3 + M5 / M6 + M4 / M5 + M3. It is used to fasten components which cannot be slotted directly onto the TS 32, in particular the smaller TS 15 top hat rail. This enables, for example, mini-terminals to be snapped onto the TS 15 first, and this rail is then fastened together with the terminals to the TS 32 using the sliding nut.

RailMate terminal rail system for the TS 35 x 7.5 and TS 35 x 15 terminal rails

To save costs, it is possible to dispense with an expensive die cast aluminium enclosure within a control cabinet by using RailMate, which provides ingress protection class IP20. The terminal rail assembly system can be used to mount the inserts of the heavy-duty plug-in connectors and also the "ConCept" modular plug-in connector system on the terminal rail. This is all done without tools, simply by clipping the parts on.

A large surface at the base of the insert receptacle and on the frame allow for clear identification of equipment.

In the control cabinet, RailMate lets the user accommodate the maximum number of electrical connections in a minimum area.



RailMate terminal rail assembly system
2 insert receptacle bottoms
Base plate with slider
Insert receptacle frame for sizes 3, 4, 6 and 8
Rider (adjusts to sizes 3, 4, 6 and 8)
Ordering data individual components

Type	For inserts of size	Qty.	Order No.
Insert receptacle frame			
HDC RailMate HB6 Top	3	10	1797540000
HDC RailMate HB10 Top	4	10	1797550000
HDC RailMate HB16 Top	6	10	1797560000
HDC RailMate HB24 Top	8	10	1797570000
Base plate, rider and 2 insert receptacle bottoms			
HDC RailMate Basis	3, 4, 6, 8	1	1797580000

Ordering data sets

Type	For inserts of size	Qty.	Order No.
HDC RailMate HB6 Set	3	1	1797500000
HDC RailMate HB10 Set	4	1	1797510000
HDC RailMate HB16 Set	6	1	1797520000
HDC RailMate HB24 Set	8	1	1797530000

Each set consists of:

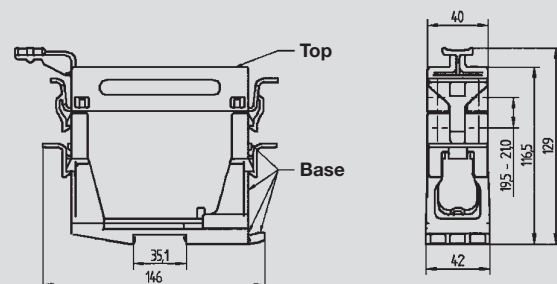
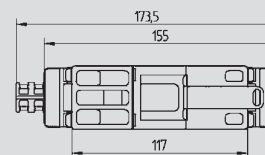
- 1 base plate
- 1 slider
- 2 insert receptacle bottoms
- 1 insert receptacle frame

Technical data

Material	PC
Properties	Phosphorous and halogen free
Colour	grey (RAL 7032)
Temperature range	-40°C ... +125 °C
Flammability class	V-0 to UL 94

Accessories

Type		Qty.	Order No.
Coding set			
HDC RailMate COS	50 poles and plugs 6 different coding versions	1	1798260000
Marking labels for laser printer (1 sheet = 264 labels)			
LM MT 300 20/8	silver	10 sheets	1686380001
LM MT 300 20/8	white	10 sheets	1686381044
LM MT 300 20/8	yellow	10 sheets	1686381687
Marking labels for thermotransfer printer (1 roll = 10,000 labels)			
THM MT30X 32/9	silver	1 roll	1751770001
LM MT 300 20/8	white	1 roll	1751771044
LM MT 300 20/8	yellow	1 roll	1751771687

Dimensions


Terminal markers

Weidmüller's multitude of different terminal markers enable users to solve virtually every labelling task of all types of wire and cable connectors. Whether multi-character labelling, ready-to-use markers with standard printing or individual, custom markers, whether white or coloured or group designations at terminals, the comprehensive range of Weidmüller products solves every marking task simply, quickly and clearly.

The tables on the following pages show which markers fit the various terminal series. The terminal pitch governs the selection of a marker. For example, a WDU 2.5 terminal has a pitch of 5 mm, the WS 12/5 marker is 12 mm long and suitable for a 5 mm pitch.

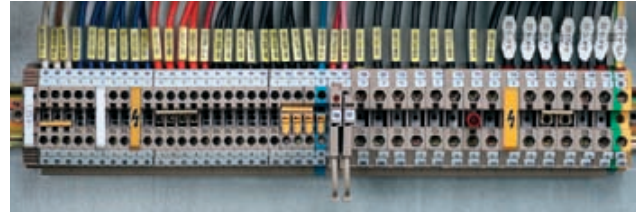
Whole blocks of terminals can be marked as a strip using the Weidmüller system. When a terminal with a larger pitch has to be marked (e.g. WDU 16), a smaller marker (e.g. WS 12/5) can be clipped onto it. Most of the markers are compatible with each other.

The two traditional marker series, DEK and WS, are available as ready-to-use markers. And these markers are also available in the MultiCard format for printing by users themselves. MultiCard – the concept for labelling with the SMark Laser, Print-Jet, Plotter or MC-Mobilo.

To see a small selection of the Weidmüller markers, order our bag of samples, order No. **1646670000**.

Owing to the sheer number of possible applications and environmental influences such as moisture, radiation, gases or heat/cold to which the products can be exposed, Weidmüller accepts no liability for the suitability of products in all customer applications. Suitability tests for specific applications must therefore be carried out by the customer. However, Weidmüller will be happy to provide help and advice upon request.

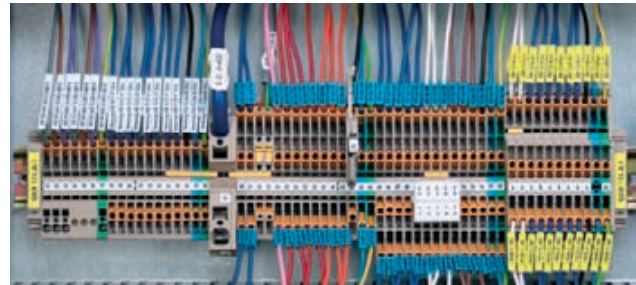
W series



Z series



I series



P series



Due to the different identification system available on the market, we wish to point out that Weidmüller does not guarantee industrial identification products if the Weidmüller components (markers – transparent sleeves – ink/toner/colour ink ribbons – printing systems) are combined with third-party products, unless Weidmüller has explicitly agreed for the purpose of an individual application.

Designation	Terminal width	DEK	WS	ZS	SchT 7	SchT 9/4	SchT 14/6	WTS 3/4	WGB 5 / WAD 5	WGB 8 / WAD 8	WAD 12	WAD 27	ZGB 15 / ZGB 30	BZT 1	BZT 2	EM 8/80
AKE 2.5/AKZ 2.5...	5	5	-	-	-	-	-	-	-	-	-	-	-	-	-	-
AKZ 1.5...	5	5	-	-	-	-	-	-	-	-	-	-	-	-	-	-
AKZ 4.../AKB 4...	6	6	8/5	-	-	X	-	-	-	-	-	-	-	-	-	-
BZT ZVL 1.5	5.08	5	12/5	-	-	-	-	-	-	-	-	-	-	-	-	-
DLA 2.5...	6	6	8/5	-	X	X	X	-	-	-	-	-	-	-	-	-
DLD 2.5...	6	6	8/5	-	X	X	X	-	-	-	-	-	-	-	-	-
DLJ 2.5	6	6	8/5	-	X	X	X	-	-	-	-	-	-	-	-	-
EW 15	9.5	5	12/5	-	X	X	-	X	-	-	-	-	-	-	-	-
EW 15/2	8	5	-	-	-	-	-	-	-	-	-	-	-	-	-	-
EW 35	8.5	5	8/5	-	-	-	-	X	-	-	-	-	-	-	-	-
EWK	8.5	5	8/5	-	-	-	-	-	-	-	-	-	-	-	-	-
EWK 1	8.5	5	8/5	-	-	-	-	X	-	-	-	-	-	-	-	-
EWK 2	8.5	5	8/5	-	-	-	-	-	-	-	-	-	-	-	-	-
IAK 1.5N 3L	5	5	10/5 ²⁾	10/5	-	-	-	-	-	-	-	-	X	-	-	-
IDK 1.5N	5	5	10/5 ²⁾	10/5	-	X ³⁾	-	-	-	-	-	-	-	-	-	-
IDK 1.5N/V	5	5	10/5 ²⁾	10/5	-	-	-	-	-	-	-	-	X	-	-	-
IDU 1.5 N ...	5	5	10/5 ²⁾	10/5	-	-	-	-	-	-	-	-	X	-	-	-
IDU 2.5N...	6	6	10/6 ¹⁾	12/6	-	-	-	-	-	-	-	-	-	-	-	-
IEK 1.5N...	5	5	10/5 ²⁾	10/5	-	-	-	-	-	-	-	-	X	-	-	-
IJK 1.5N...	5	5	10/5 ²⁾	10/5	-	-	-	-	-	-	-	-	X	-	-	-
IPE 1.5N...	5	5	10/5 ²⁾	10/5	-	-	-	-	-	-	-	-	X	-	-	-
IPE 2.5N...	6	6	10/6 ¹⁾	12/6	-	-	-	-	-	-	-	-	-	-	-	-
ITR 1.5N...	5	5	10/5 ²⁾	10/5	-	-	-	-	-	-	-	-	X	-	-	-
ITR 2.5N...	6	6	10/6 ¹⁾	12/6	-	-	-	-	-	-	-	-	-	-	-	-
PTR 2.5/...	5	5	10/5	10/5	-	-	-	-	-	-	-	-	-	-	-	-
MAK 2.5/VLI 1.5...	6	6	8/5	-	X	X	X	-	-	-	-	-	X	-	-	-
WDK 1.5/R 3.5...	3.5	3.5	-	-	-	-	-	-	-	-	-	-	-	-	-	-
WDK 2.5 ...	5	5	8/5	-	-	X	-	-	-	-	-	-	X	-	-	-
WDK 2.5 800V	6	6	8/5	-	-	X	-	-	-	-	-	-	X	-	-	-
WDK 2.5/BLA R5.08	5.08	5	8/5	-	-	-	-	X	-	-	-	-	-	-	-	-
WDK 2.5/BLZ R5.08	5.08	5	8/5	-	-	-	-	X	-	-	-	-	-	-	-	-
WDK 2.5N...	5	5	8/5	-	-	-	-	-	-	-	-	-	-	-	-	-
WDK 4N...	5	5	8/5	-	-	-	-	-	-	-	-	-	-	-	-	-
WDL 2.5/...	6	6	8/5	-	-	-	-	X	-	-	-	-	X	-	-	-
WDT 1.5	6.5	6.5	8/5	-	-	-	-	-	-	-	-	-	-	-	-	-
WDTR 2.5...	6.2	6	8/5	-	-	X	-	-	-	-	-	-	-	-	-	-
WDU (WPE) 120/150	32	5	10/5	-	-	-	-	X	-	-	-	X	-	-	-	-
WDU (WPE) 35 N	16	5	12/5	-	X	X	X	X	-	-	-	-	X	-	-	-
WDU (WPE) 70/95	27	5	12/5	-	-	-	-	X	-	-	-	X	-	-	-	-
WDU (WPE) 70N	20.5	5	12/5	-	X	X	X	X	-	-	-	-	X	-	-	-
WDU 1.5 LD/BLA	5.08	5	12/5	-	X	X	X	X	-	-	-	-	X	-	-	-
WDU 1.5/BLA	5.08	5	12/5	-	X	X	X	X	-	-	-	-	X	-	-	-
WDU 1.5/BLZ R7.62	7.62	5	-	-	-	-	-	-	-	-	-	-	-	-	-	-
WDU 1.5/BLZ/5.08	5.08	5	12/5	-	X	X	X	X	-	-	-	-	X	-	-	-
WDU 1.5/BLZ/LD/5.08	5.08	5	12/5	-	X	X	X	X	-	-	-	-	X	-	-	-
WDU 1.5/R 3.5...	3.5	3.5	-	-	-	-	-	-	-	-	-	-	-	-	-	-
WDU 1.5/R/BLA	5.08	5	12/5	-	X	X	X	X	-	-	-	-	X	-	-	-
WDU 1.5/ZZ	5	5	12/5	-	X	X	X	X	-	-	-	-	X	-	-	-
WDU 10 SL	10	5	12/5	-	X	X	X	X	X	X	-	-	X	-	-	-
WDU 10...	10	5	12/5	-	X	X	X	X	X	X	-	-	X	-	-	-
WDU 16 (ZA)	12	5	12/5	-	X	X	X	X	-	-	X	-	X	-	-	-
WDU 16 N	12	5	12/5	-	X	X	X	X	-	-	-	-	X	-	-	-
WDU 2.5 F	5	5	12/5	-	-	-	-	X	-	-	-	-	-	-	-	-
WDU 2.5 FF	5	5	12/5	-	X	-	-	X	-	-	-	-	-	-	-	-
WDU 2.5 N (WDU 1.5)	5	5	12/5	-	X	X	X	X	-	-	-	-	X	-	-	-
WDU 2.5 TC...	5	5	12/5	-	X	X	-	X	-	-	-	-	X	-	-	-
WDU 2.5...	5	5	12/5	-	X	X	X	X	X	-	-	-	X	-	-	-
WDU 2.5/1.5/ZZ	5	5	12/5	-	X	X	X	X	-	-	-	-	X	-	-	-
WDU 2.5/BLZ R7.62	7.62	5	-	-	-	-	-	-	-	-	-	-	X	-	-	-
WDU 240...	36	5	12/5	-	-	-	-	-	-	-	-	-	-	-	-	-
WDU 35	16	5	12/5	-	X	X	X	X	-	-	X	-	X	-	-	-
WDU 4 ...	6	6	12/6	-	X	X	X	X	X	-	-	-	X	-	-	-
WDU 4N ...	6	6	12/6	-	X	X	X	X	-	-	-	-	X	-	-	-
WDU 50N	18.5	5	12/5	-	-	-	-	-	-	-	-	-	-	-	-	-
WDU 6 ...	8	8	12/8	-	X	X	X	X	X	X	-	-	X	-	-	-
WDU 95N	27	8	15/5	-	-	-	-	-	-	-	-	-	-	-	-	-
WDUL 4	6	6	12/6	-	X	X	X	X	X	-	-	-	X	-	-	-
WEW 32/1	12.2	5	12/5	-	X	X	X	X	-	-	-	X	X	-	-	-
WEW 35/1	12.2	5	12/5	-	X	X	X	X	-	-	-	X	X	-	-	-
WEW 35/2	8	8	12/5	-	X	X	X	X	-	-	-	-	-	-	-	-
WF 10...	35.6	6	15/5	-	-	-	-	-	-	-	-	-	-	-	-	X
WF 12...	35.6	6	15/5	-	-	-	-	-	-	-	-	-	-	-	-	-
WF 5...	13	6	15/5	-	-	-	-	-	-	-	-	-	-	-	-	-
WF 6...	19.6	6	15/5	-	-	-	-	-	-	-	-	-	-	-	-	-
WF 8...	24.6	6	15/5	-	-	-	-	-	-	-	-	-	-	-	-	-
WFF 120...	42	5	12/6.5	-	-	-	-	-	-	-	-	-	-	-	-	-
WFF 185...	55	5	12/6.5	-	-	-	-	-	-	-	-	-	-	-	-	-
WFF 300...	55	5	12/6.5	-	-	-	-	-	-	-	-	-	-	-	-	-
WFF 35...	27	5	12/5	-	-	-	-	-	-	-	-	-	-	-	-	-
WFF 70...	32	5	12/6.5	-	-	-	-	-	-	-	-	-	-	-	-	-
WGK	8-25	5.6.8	10/5	10/5	-	-	-	-	-	-	-	-	-	-	-	-
WMA 4...	6	6	12/6	-	X	X	X	X	X	-	-	-	X	-	-	-
WNT 10	10	5	12/5	-	X	X	X	X	-	-	-	-	X	-	-	-
WNT 16 N	12	5	12/5	-	X	X	X	X	-	-	-	-	X	-	-	-
WNT 2.5	5	5	12/5	-	X	X	X	X	-	-	-	-	X	-	-	-

¹⁾ = WS 10/6 Middle; ²⁾ = WS 10/5 Middle; ³⁾ = SnapMark

Terminal markers – Selection table

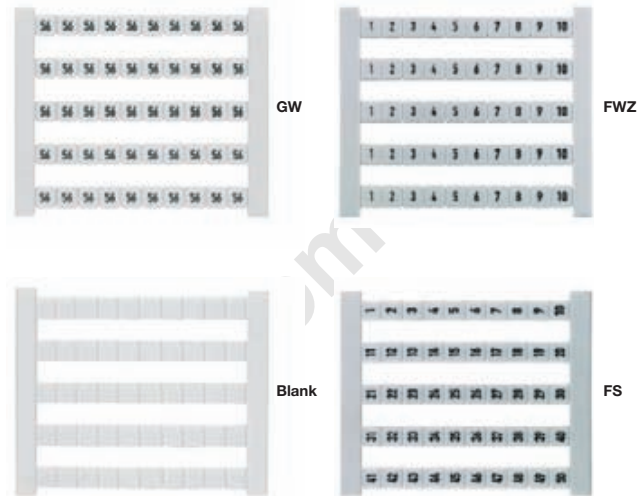
Designation	Terminal width	DEK	WS	ZS	SchT 7	SchT 9/4	SchT 14/6	WTS 3/4	WGB 5 / WAD 5	WGB 8/ WAD 8	WAD 12	WAD 27	ZGB 15 / ZGB 30	BZT 1	BZT 2	EM 8/60
WNT 35 N	16	5	12/5	-	x	x	x	x	-	-	-	-	x	-	-	-
WNT 4	6	6	12/6	-	x	x	x	x	-	-	-	-	x	-	-	-
WNT 6	8	8	12/5	-	x	x	x	x	-	-	-	-	x	-	-	-
WNT 70 N	20.5	5	12/5	-	x	x	x	x	-	-	-	-	x	-	-	-
WPE 1.5/R3.5	3.5	3.5	12/3.5	-	-	-	-	-	-	-	-	-	-	-	-	-
WPE 1.5/ZZ	5	5	12/5	-	x	x	x	x	-	-	-	-	x	-	-	-
WPE 10...	10	5	12/5	-	x	x	x	x	-	-	-	-	x	-	-	-
WPE 120	32	8	12/6.5	-	-	-	-	-	-	-	-	-	-	-	-	-
WPE 16	12	5	12/5	-	x	x	x	x	-	-	-	-	x	-	-	-
WPE 16 N	12	5	12/5	-	x	x	x	x	-	-	-	-	x	-	-	-
WPE 2.5 N (WPE 1.5)	5	5	12/5	-	x	x	x	x	-	-	-	-	x	-	-	-
WPE 2.5...	5	5	12/5	-	x	x	x	x	-	-	-	-	x	-	-	-
WPE 2.5/1.5/ZR	5	5	12/5	-	-	-	-	-	-	-	-	-	-	-	-	-
WPE 35...	16	5	12/5	-	x	x	x	x	-	-	-	-	x	-	-	-
WPE 4	6	6	12/6	-	x	x	x	x	-	-	-	-	x	-	-	-
WPE 4N	6	6	12/6	-	-	-	-	-	-	-	-	-	-	-	-	-
WPE 50N	18.5	8	12/6.5	-	-	-	-	-	-	-	-	-	-	-	-	-
WPE 6	8	8	12/5	-	x	x	x	x	-	-	-	-	x	-	-	-
WPE 95N/120N	27	8	15/5	-	-	-	-	-	-	-	-	-	-	-	-	-
WPO 4	6	6	10/6	-	-	-	-	-	-	-	-	-	x	-	-	-
WSI 6...	8	8	12/5	-	-	-	-	x	-	-	-	-	x	-	-	-
WSI 6/2...	12	8	12/6.5	-	-	-	-	-	-	-	-	-	-	-	-	-
WTD 6/1	8	8	12/5	-	-	-	-	x	-	-	-	-	x	-	-	-
WTL 4 ...	6	6	12/6	-	-	-	-	-	-	-	-	-	-	-	-	-
WTL 6/1...	8	8	12/8	-	-	-	-	x	-	-	-	-	x	-	-	-
WTL 6/2	8	8	12/8	-	-	-	-	x	-	-	-	-	x	-	-	-
WTL 6/3...	8	8	12/8	-	-	-	-	x	-	-	-	-	x	-	-	-
WTQ 6/1	8	8	12/8	-	-	-	-	x	-	-	-	-	x	-	-	-
WTR 2.5 ...	5	5	12/5	-	-	-	-	x	-	-	-	-	x	-	-	-
WTR 4...	6	6	12/6	-	-	-	-	-	-	-	-	-	-	-	-	-
ZAP/TW ZIA 1.5/...	3.8	3.5	-	-	-	-	-	-	-	-	-	-	-	-	-	-
ZDK 1.5...	3.5	3.5	12/3.5	-	-	-	-	-	-	-	-	-	-	-	-	-
ZDK 2.5...	5	5	12/5	15/5	-	-	-	x	-	-	-	-	x	-	-	-
ZDK 2.5-2...	5	5	10/5	10/5	-	-	-	-	-	-	-	-	-	-	-	-
ZDK 2.5/3AN	5	5	10/5	10/5	-	-	-	-	-	-	-	-	-	-	-	-
ZDK 4/S/...	6	6	-	12/6	-	-	-	x	-	-	-	-	x	-	-	-
ZDK 6/S/...	8	8	-	-	-	-	-	x	-	-	-	-	x	-	-	-
ZDKPE 2.5	5	5	10/5	10/5	-	-	-	-	-	-	-	-	-	-	-	-
ZDL 2.5/...	5	5	-	10/5	-	-	-	-	-	-	-	-	x	-	-	-
ZDLD 2.5-2...	5	5	-	10/5	-	-	-	-	-	-	-	-	x	-	-	-
ZDT 2.5 ...	5	5	10/5	10/5	-	-	-	-	-	-	-	-	-	-	-	-
ZDTPE 2.5...	5	5	10/5	10/5	-	-	-	-	-	-	-	-	-	-	-	-
ZDTR 2.5	5	5	12/5	15/5	-	-	-	x	-	-	-	-	x	-	-	-
ZDU (ZPE) 10	10	5	12/5	15/5	-	x	-	-	-	-	-	-	x	x	x	-
ZDU (ZPE) 10/S...	10	5	10/5	15/5	-	x	-	-	-	-	-	-	x	x	x	-
ZDU (ZPE) 16...	12	5	12/5	15/5	-	x	-	x	-	-	-	-	x	x	x	-
ZDU (ZPE) 16/S...	12	5	10/5	15/5	-	x	-	-	-	-	-	-	x	x	x	-
ZDU (ZPE) 2.5N	5	5	10/5	10/5	-	-	-	-	-	-	-	-	-	-	-	-
ZDU (ZPE) 2.5 ...	5	5	12/5	15/5	-	-	-	x	-	-	-	-	x	x	x	-
ZDU (ZPE) 2.5-2/...	5	5	12/5	15/5	-	-	-	x	-	-	-	-	x	x	x	-
ZDU (ZPE) 35...	16	5	12/5	15/5	-	-	-	x	-	-	-	-	x	x	x	-
ZDU (ZPE) 4...	6	6	12/6	12/6	-	-	-	x	-	-	-	-	x	x	x	-
ZDU (ZPE) 4-2...	6	6	12/6	12/6	-	-	-	-	-	-	-	-	-	-	-	-
ZDU (ZPE) 6...	8	8	12/8	15/5	-	-	-	x	-	-	-	-	x	x	x	-
ZDU (ZPE) 6-2...	8	8	12/8	12/6	-	-	-	-	-	-	-	-	-	-	-	-
ZDU 1.5...	3.5	3.5	12/3.5	-	-	-	-	-	-	-	-	-	-	x	x	-
ZDUA (ZPEA) 2.5-2	5	5	8/5	15/5	-	-	-	x	-	-	-	-	x	-	-	-
ZDUA 2.5-2N	5	5	10/5	10/5	-	-	-	-	-	-	-	-	-	-	-	-
ZDUB (ZPEB) 2.5-2/...	5	5	8/5	15/5	-	-	-	-	-	-	-	-	x	-	-	-
ZEI 16	16	5	12/5	15/5	-	-	-	x	-	-	-	-	x	-	-	-
ZEI 6	10	8	12/6	12/6	-	-	-	x	-	-	-	-	x	x	x	-
ZEW 35/2	8	8	-	-	-	-	-	-	-	-	-	-	-	-	-	x
ZIA 1.5 ...	5.08	5	8/5	15/5	-	-	-	x	-	-	-	-	x	-	-	-
ZMAK 2.5	5	5	10/5	15/5	-	-	-	-	-	-	-	-	x	-	-	-
ZNT 10/S	10	5	-	-	-	-	-	-	-	-	-	-	-	-	-	-
ZNT 16/S	12	5	-	-	-	-	-	-	-	-	-	-	-	-	-	-
ZNT 2.5/S	5	5	10/5	10/5	-	-	-	-	-	-	-	-	-	-	-	-
ZNT 4/S	6	6	10/6	12/6	-	-	-	-	-	-	-	-	-	-	-	-
ZNT 6/S	8	8	10/6	12/6	-	-	-	-	-	-	-	-	-	-	-	-
ZP 2.5...	5	5	10/5	10/5	-	-	-	-	-	-	-	-	-	-	-	-
ZPE 16-2/1 AN	12	8	12/6	12/6	-	-	-	-	-	-	-	-	-	-	-	-
ZPV 1.5	5.08	5	12/5	15/5	-	x	x	x	-	-	-	-	x	-	-	-
ZRV 1.5...	5	5	8/5	10/5	-	x	x	x	-	-	-	-	x	-	-	-
ZSI 2.5...	8	8	12/5	15/5	-	-	-	x	-	-	-	-	x	-	-	-
ZSI 2.5/2...	12	5	12/5	15/5	-	-	-	x	-	-	-	-	x	-	-	-
ZSI 6-2/FC	8	6	12/6	12/6	-	-	-	-	-	-	-	-	-	-	-	-
ZT 2.5 ...	5	5	10/5	10/5	-	-	-	-	-	-	-	-	-	-	-	-
ZTD 6	8	8	12/6.5	-	-	-	-	-	-	-	-	-	-	-	-	-
ZTL 6	8	8	12/6.5	-	-	-	-	-	-	-	-	-	-	-	-	-
ZTPE 2.5 ...	5	5	10/5	10/5	-	-	-	-	-	-	-	-	-	-	-	-
ZTR 2.5...	5	5	12/5	15/5	-	-	-	x	-	-	-	-	x	-	-	-
ZTR 2.5-2...	5	5	14/5	10/5	-	-	-	-	-	-	-	-	-	-	-	-
PDL 4...	5	5	12/5	-	-	-	-	-	-	-	-	-	-	-	-	-
PDU 2.5/4...	5	5	12/5	-	-	-	-	-	-	-	-	-	-	-	-	-
PDU 6/10...	8	8	10/8	-	-	-	-	-	-	-	-	-	-	-	-	-

Designation	Terminal width	DEK	WS	ZS	SchT 7	SchT 9/4	SchT 14/6	WTS 3/4	WGB 5 / WAD 5	WGB 8 / WAD 8	WAD 12	WAD 27	ZGB 15 / ZGB 30	BZT 1	BZT 2	EM 8/30
PDU 16	12	-	10/12	-	-	-	-	-	-	-	-	-	-	-	-	-
PDK 2.5/4	5	5	12/5	-	-	-	-	-	-	-	-	-	-	-	-	-
PPE 2.5/4	5	5	12/5	-	-	-	-	-	-	-	-	-	-	-	-	-
PPE 6/10	8	8	10/8	-	-	-	-	-	-	-	-	-	-	-	-	-
PPE 16	12	-	10/12	-	-	-	-	-	-	-	-	-	-	-	-	-
PNT 2.5/4	5	5	12/5	-	-	-	-	-	-	-	-	-	-	-	-	-
PNT 6/10	8	8	10/8	-	-	-	-	-	-	-	-	-	-	-	-	-
PNT 16	12	-	10/12	-	-	-	-	-	-	-	-	-	-	-	-	-
PEI 16	12	-	10/12	-	-	-	-	-	-	-	-	-	-	-	-	-
AST 1-4/35	6.2	6	-	-	-	-	-	-	-	-	-	-	-	-	-	-
AST 5/35	6.5	6	-	-	-	-	-	-	-	-	-	-	-	-	-	-
DK 4...	6	6	-	-	-	-	-	-	-	-	-	-	-	-	-	-
DKT 4...	6	6	-	-	-	-	-	-	-	-	-	-	-	-	-	-
EK 10	10	5	-	-	-	-	-	-	-	-	-	-	-	-	-	-
EK 16	12	5	-	-	-	-	-	-	-	-	-	-	-	-	-	-
EK 2.5...	6	6	-	-	-	-	-	-	-	-	-	-	-	-	-	-
EK 35...	16	5	-	-	-	-	-	-	-	-	-	-	-	-	-	-
EK 4...	6.5	6.5	-	-	-	-	-	-	-	-	-	-	-	-	-	-
EK 6/35	8	8	-	-	-	-	-	-	-	-	-	-	-	-	-	-
KDKS 1...	8	8	-	-	-	-	-	-	-	-	-	-	-	-	-	-
KSKM...	13	5	-	-	-	-	-	-	-	-	-	-	-	-	-	-
KST...	24-34	5	-	-	-	-	-	-	-	-	-	-	-	-	-	-
NT...	6-12	6	-	-	-	-	-	-	-	-	-	-	-	-	-	-
RSF 1-3...	8	5	-	-	-	-	-	-	-	-	-	-	-	-	-	-
SAK 10...	10	5	-	-	-	-	-	-	-	-	-	-	-	-	-	-
SAK 16...	12	5	-	-	-	-	-	-	-	-	-	-	-	-	-	-
SAK 2.5	6.1	6	-	-	x	-	-	-	-	-	-	-	-	-	-	-
SAK 2.5/35	5	5	-	-	x	-	-	-	-	-	-	-	-	-	-	-
SAK 35...	18	5	-	-	x	-	-	-	-	-	-	-	-	-	-	-
SAK 4...	6.5	6.5	-	-	x	-	-	-	-	-	-	-	-	-	-	-
SAK 6...	8	8	-	-	x	-	-	-	-	-	-	-	-	-	-	-
SAK 95/35	28	5	-	-	x	-	-	-	-	-	-	-	-	-	-	-
SAKC 10/35	12	6.5	-	-	x	-	-	-	-	-	-	-	-	-	-	-
SAKC 4/35	6.5	6.5	-	-	x	-	-	-	-	-	-	-	-	-	-	-
SAKG...	32-54	5	-	-	x	-	-	-	-	-	-	-	-	-	-	-
SAKR...	6.5	6.5	-	-	x	-	-	-	-	-	-	-	-	-	-	-
SAKS...	13-28	5	-	-	x	-	-	-	-	-	-	-	-	-	-	-
SAKT...	8	6.5	-	-	x	-	-	-	-	-	-	-	-	-	-	-
SAKD 2.5N	5	5	-	-	x	-	-	-	-	-	-	-	-	-	-	-
SAKA 10	12	5	-	-	x	-	-	-	-	-	-	-	-	-	-	-
SAKB 10	10	5	-	-	x	-	-	-	-	-	-	-	-	-	-	-
ASK 1	8	8	-	-	x	-	-	-	-	-	-	-	-	-	-	-
SAKK 4...	8	6.5	-	-	x	-	-	-	-	-	-	-	-	-	-	-
SAKK 10...	11.5	5	-	-	x	-	-	-	-	-	-	-	-	-	-	-
SAKH 4-10	6.5-14	5	-	-	x	-	-	-	-	-	-	-	-	-	-	-
SAKH 35	18	6.5	-	-	-	-	-	-	-	-	-	-	-	-	-	-
KMVF...	6	5	-	-	-	-	-	-	-	-	-	-	-	-	-	-
AKZ 1.5-2.5	5.1	5	-	-	-	-	-	-	-	-	-	-	-	-	-	-
AKZ 4	6.1	6	-	-	-	-	-	-	-	-	-	-	-	-	-	-
AKE 2.5	5.1	5	-	-	-	-	-	-	-	-	-	-	-	-	-	-
AKE 4	7	6.5	-	-	-	-	-	-	-	-	-	-	-	-	-	-
ADK 1	6	6	-	-	-	-	-	-	-	-	-	-	-	-	-	-
AL 1	6.5	6.5	-	-	-	-	-	-	-	-	-	-	-	-	-	-
AKA 4	6	6	-	-	-	-	-	-	-	-	-	-	-	-	-	-

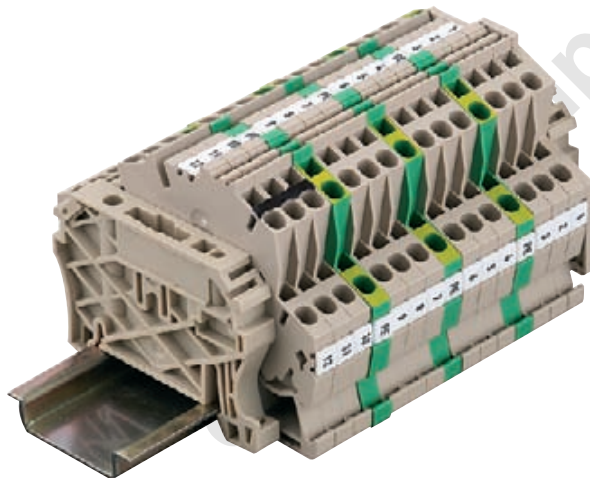
DEK card with printing

The Dekafix marker is the universal marker for terminals and plug-in connectors as well as electronic modules from the Weidmüller product range. Dekafix provides you with a wide range of standard printing options. The system is particularly suitable for short sequences of numbers and is also available with customer specific printing.

- In strips for fast installation
- Large selection of ready-to-use printed markers
- Excellent printing quality thanks to the MC Laser
- Available in 4 widths
- Custom printing also possible



G



Technical data

Material	Polyamide 66, halogen-free
UL 94 flammability rating	V2
Temperature range	-40 °C to 100 °C
Printing	black

Ordering data

Colour	Available in all colours of the international colour code; for MC on request		
	● brown	● red	● orange
	● yellow	● green	● blue
	● violet	● grey	○ white
Qty	500 pcs		
Pitch	DEK 5 = 5 mm : DEK 6 = 6 mm : DEK 6.5 = 6.5 mm : DEK 8 = 8 mm		
Printing variations	FZ = consecutive horizontal	e.g. DEK 5 FW 1-50	
	FS = consecutive vertical	e.g. DEK 5 FS 51-100	
	FWZ = consecutive horizontal line	e.g. DEK 5 FWZ 1-10	
	FSZ = consecutive vertical line	e.g. DEK 5 FSZ 21-30	
	GW = identical horizontal	e.g. DEK 5 GW A	
	GS = identical vertical	e.g. DEK 5 GS B	
No. of characters	horizontal	vertical	
Dek 5	max. 3 characters	max. 3 characters	
Dek 6	max. 3 characters	max. 3 characters	
Dek 6,5	max. 4 characters	max. 3 characters	
Dek 8	max. 5 characters	max. 3 characters	
Specify colour and characters for special printing			

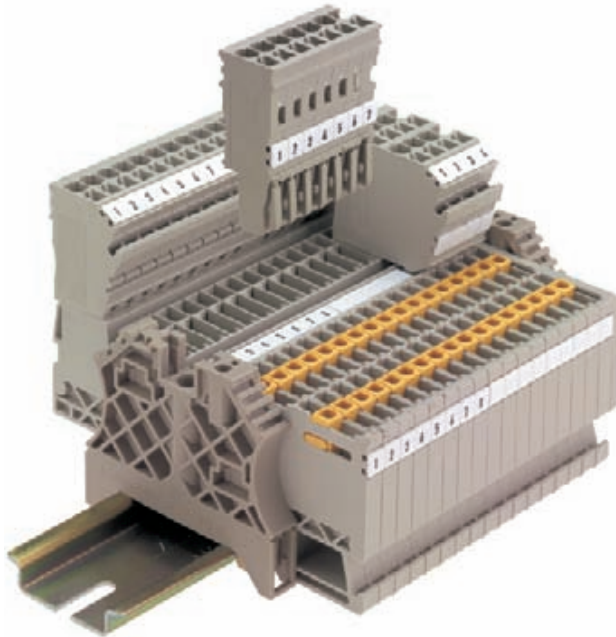
Versions DEK

Type/Print	Order No.	Type/Print	Order No.	Type/Print	Order No.
DEK 6 GW 66	0526960066	DEK 6,5 FSZ 21-30	0407360021	DEK 8 FWZ 121-130	1276960121
DEK 6 GW 67	0526960067	DEK 6,5 FSZ 31-40	0407360031	DEK 8 FWZ 131-140	1276960131
DEK 6 GW 68	0526960068	DEK 6,5 FSZ 41-50	0407360041	DEK 8 FWZ 141-150	1276960141
DEK 6 GW 69	0526960069	DEK 6,5 FSZ 51-60	0407360051	DEK 8 FWZ 21-30	1276960021
DEK 6 GW 70	0526960070	DEK 6,5 FSZ 61-70	0407360061	DEK 8 FWZ 31-40	1276960031
DEK 6 GW 71	0526960071	DEK 6,5 FSZ 71-80	0407360071	DEK 8 FWZ 41-50	1276960041
DEK 6 GW 72	0526960072	DEK 6,5 FSZ 81-90	0407360081	DEK 8 FWZ 51-60	1276960051
DEK 6 GW 73	0526960073	DEK 6,5 FSZ 91-100	0407360091	DEK 8 FWZ 61-70	1276960061
DEK 6 GW 74	0526960074	DEK 6,5 FW 1-50	0468160001	DEK 8 FWZ 71-80	1276960071
DEK 6 GW 75	0526960075	DEK 6,5 FW 101-150	0468160101	DEK 8 FWZ 81-90	1276960081
DEK 6 GW 76	0526960076	DEK 6,5 FW 151-200	0468160151	DEK 8 FWZ 91-100	1276960091
DEK 6 GW 77	0526960077	DEK 6,5 FW 201-250	0468160201	DEK 8 GE NEUTRAL	1277091687
DEK 6 GW 78	0526960078	DEK 6,5 FW 251-300	0468160251	DEK 8 GN NEUTRAL	1277091688
DEK 6 GW 79	0526960079	DEK 6,5 FW 301-350	0468160301	DEK 8 NEUTRAL	1277060000
DEK 6 GW 80	0526960080	DEK 6,5 FW 351-400	0468160351	DEK 8 OR NEUTRAL	1277091690
DEK 6 GW 81	0526960081	DEK 6,5 FW 401-450	0468160401	DEK 8 RT NEUTRAL	1277091686
DEK 6 GW 82	0526960082	DEK 6,5 FW 451-500	0468160451	DEK 8 SONDERDR. FARBIG	1326690000
DEK 6 GW 83	0526960083	DEK 6,5 FW 501-550	0468160501	DEK 8 SONDERDR. WEIß	1326660000
DEK 6 GW 84	0526960084	DEK 6,5 FW 51-100	0468160051	DEK 8 VI NEUTRAL	1277091689
DEK 6 GW 85	0526960085	DEK 6,5 FW 551-600	0468160551		
DEK 6 GW 86	0526960086	DEK 6,5 FW 601-650	0468160601	WS 8/5 Karte	1773360000
DEK 6 GW 87	0526960087	DEK 6,5 FW 651-700	0468160651	WS 10/5 Karte	1773370000
DEK 6 GW 88	0526960088	DEK 6,5 FW 701-750	0468160701	WS 12/5 Karte	1773380000
DEK 6 GW 89	0526960089	DEK 6,5 FW 751-800	0468160751		
DEK 6 GW 90	0526960090	DEK 6,5 FW 801-850	0468160801	WS 12/5 FSZ 1 - 10	1773430001
DEK 6 GW 91	0526960091	DEK 6,5 FW 851-900	0468160851	WS 12/5 FSZ 11 - 20	1773430011
DEK 6 GW 92	0526960092	DEK 6,5 FW 901-950	0468160901	WS 12/5 FSZ 21 - 30	1773430021
DEK 6 GW 93	0526960093	DEK 6,5 FW 951-999	0468160951	WS 12/5 FSZ 31 - 40	1773430031
DEK 6 GW 94	0526960094	DEK 6,5 FW L1-⊕	0632161203	WS 12/5 FSZ 41 - 50	1773430041
DEK 6 GW 95	0526960095	DEK 6,5 FW L1-PE	0632161187	WS 12/5 FWZ 1 - 10	1773330001
DEK 6 GW 96	0526960096	DEK 6,5 FWZ 1-10	0519060001	WS 12/5 FWZ 11 - 20	1773330011
DEK 6 GW 97	0526960097	DEK 6,5 FWZ 11-20	0519060011	WS 12/5 FWZ 21 - 30	1773330021
DEK 6 GW 98	0526960098	DEK 6,5 FWZ 21-30	0519060021	WS 12/5 FWZ 31 - 40	1773330031
DEK 6 GW 99	0526960099	DEK 6,5 FWZ 31-40	0519060031	WS 12/5 FWZ 41 - 50	1773330041
DEK 6 GW 100	0526960100	DEK 6,5 FWZ 41-50	0519060041		
DEK 6 GW 200	0526960200	DEK 6,5 FWZ 51-60	0519060051		
DEK 6 GW BL/SW -	1318091741	DEK 6,5 FWZ 61-70	0519060061		
DEK 6 GW PE	1318061187	DEK 6,5 FWZ 71-80	0519060071		
DEK 6 GW RT/SW +	1318091737	DEK 6,5 FWZ 81-90	0519060081		
DEK 6 GW +	1318061198	DEK 6,5 FWZ 91-100	0519060091		
DEK 6 GW -	1318061199	DEK 6,5 FWZ R,S,T,N,ERD	0632060000		
DEK 6 GW ⚡	1318061202	DEK 6,5 GE NEUTRAL	0468091687		
DEK 6 GW ⊕	1318061203	DEK 6,5 GN NEUTRAL	0468091688		
DEK 6 NEUTRAL	0468560000	DEK 6,5 NEUTRAL	0468060000		
DEK 6 OR NEUTRAL	0468591690	DEK 6,5 OR NEUTRAL	0468091690		
DEK 6 RT NEUTRAL	0468591686	DEK 6,5 RT NEUTRAL	0468091686		
DEK 6 SW NEUTRAL	0468591694	DEK 6,5 SW NEUTRAL	0468091694		
DEK 6 VI NEUTRAL	0468591689	DEK 6,5 VI NEUTRAL	0468091689		
DEK 6,5 BL NEUTRAL	0468091693	DEK 8 BEDR./FARBIG	1289690000		
DEK 6,5 FS 1-50	0468260001	DEK 8 FS 1-50 TAMPOPR.	1653350001		
DEK 6,5 FS 101-150	0468260101	DEK 8 FS 1-50 TAMPOPR.	1653350001		
DEK 6,5 FS 151-200	0468260151	DEK 8 FS 51-100 TAMPOPR.	1653350051		
DEK 6,5 FS 201-250	0468260201	DEK 8 FS 51-100 TAMPOPR.	1653350051		
DEK 6,5 FS 251-300	0468260251	DEK 8 FSZ 1-10	1289660001		
DEK 6,5 FS 301-350	0468260301	DEK 8 FSZ 11-20	1289660011		
DEK 6,5 FS 351-400	0468260351	DEK 8 FSZ 21-30	1289660021		
DEK 6,5 FS 401-450	0468260401	DEK 8 FSZ 31-40	1289660031		
DEK 6,5 FS 451-500	0468260451	DEK 8 FSZ 41-50	1289660041		
DEK 6,5 FS 501-550	0468260501	DEK 8 FSZ 51-60	1289660051		
DEK 6,5 FS 51-100	0468260051	DEK 8 FSZ 61-70	1289660061		
DEK 6,5 FS 551-600	0468260551	DEK 8 FSZ 71-80	1289660071		
DEK 6,5 FS 601-650	0468260601	DEK 8 FSZ 81-90	1289660081		
DEK 6,5 FS 651-700	0468260651	DEK 8 FSZ 91-100	1289660091		
DEK 6,5 FS 701-750	0468260701	DEK 8 FW 1-50 TAMPOPR.	1653340001		
DEK 6,5 FS 751-800	0468260751	DEK 8 FW 1-50 TAMPOPR.	1653340001		
DEK 6,5 FS 801-850	0468260801	DEK 8 FW 51-100 TAMPOPR.	1653340051		
DEK 6,5 FS 851-900	0468260851	DEK 8 FW 51-100 TAMPOPR.	1653340051		
DEK 6,5 FS 901-950	0468260901	DEK 8 FWZ 1-10	1276960001		
DEK 6,5 FS 951-999	0468260951	DEK 8 FWZ 101-110	1276960101		
DEK 6,5 FSZ 1-10	0407360001	DEK 8 FWZ 11-20	1276960011		
DEK 6,5 FSZ 11-20	0407360011	DEK 8 FWZ 111-120	1276960111		

DEK MultiCard

The Dekafix marker in MultiCard format is the universal marker for all kinds of connectors and also electronic modules from the Weidmüller product range. The blank DEK marker is ideal for flexible, fast printing in situ with our innovative labelling systems SMark-Laser, PrintJet, MCP Plus Plotter or MC-Mobilo. The system is particularly suitable for short sequences of numbers and is also available with special printing.

- In strips for fast installation
- Flexible, fast printing on site during installation
- Excellent printing quality thanks to the Weidmüller MultiCard printers
- Available in 6 widths
- Custom printing with the MC Laser also possible



Technical data

Material	Polyamide 66, halogen-free
UL 94 flammability rating	V2
Temperature range	-40 °C to 100 °C
Printing	black

Ordering data

Colour	Available in all colours of the international colour code; for MC on request									
	<table style="display: inline-table; vertical-align: middle;"> <tr> <td>● brown</td> <td>● red</td> <td>● orange</td> </tr> <tr> <td>● yellow</td> <td>● green</td> <td>● blue</td> </tr> <tr> <td>● violet</td> <td>● grey</td> <td>○ white</td> </tr> </table>	● brown	● red	● orange	● yellow	● green	● blue	● violet	● grey	○ white
● brown	● red	● orange								
● yellow	● green	● blue								
● violet	● grey	○ white								
Special printing	Specify special printing and colours per diskette, Excel file or using the M-Print® PRO software.									
Minimum order quantity	1 pack									
Notes on mounting	<p>Mount in strips when the marker pitch (width) corresponds to the pitch of the terminals.</p> <p>For example, DEK 5 mm pitch for terminals with 5 mm pitch such as the WDU 2.5.</p> <p>Mount individual markers when the terminal pitch is larger than the marker pitch (width).</p> <p>For example, DEK 6.5 mount individually on WDU 6 terminals.</p>									

Dekafix - the universal marker for SAK series, W-series, Z-series, P-series and I-series plus WEICOS connectors and electronics devices.



Clamping width: 3.5 mm

DEK - blank

Ordering data

Type	Colour of material	Length	Qty.	Order No.
DEK 5/3,5 MC	white	5 mm	500	1755270000

DEK - Custom printing

Type	Colour of material	Length	Qty.	Order No.
DEK 5/3,5 MC	white	5 mm	100	1767730000

Clamping width: 5.0 mm

DEK - blank

Type	Colour of material	Length	Qty.	Order No.
DEK 5/5 Plus MC	white	5 mm	1000	1854490000
DEK 5/5 Plus MC GE	yellow	5 mm	1000	1907520000
DEK 5/5 MC	white	5 mm	1000	1609801044
DEK 5/5 MC GE	yellow	5 mm	1000	1609801687
DEK 5/5 MC BL	blue	5 mm	1000	1609801693
DEK 5/5 MC GR	grey	5 mm	1000	1609801691
DEK 5/5 MC GN	green	5 mm	1000	1609801688
DEK 5/5 MC RT	red	5 mm	1000	1609801686
DEK 5/30 MC	white	30 mm	100	1951920000

DEK - Custom printing

Type	Colour of material	Length	Qty.	Order No.
DEK 5/5 MC	white	5 mm	200	1609810000
DEK 5/5 Plus MC	white	5 mm	200	1854500000
DEK 5/30 MC	white	30 mm	20	1025680000

Clamping width: 6.0 mm

DEK - blank

Type	Colour of material	Length	Qty.	Order No.
DEK 5/6 MC	white	5 mm	1000	1609820000
DEK 5/6 Plus MC	white	5 mm	100	1011320000

DEK - Custom printing

Type	Colour of material	Length	Qty.	Order No.
DEK 5/6 MC	white	5 mm	200	1609830000

Clamping width: 6.5 mm

DEK - blank

Type	Colour of material	Length	Qty.	Order No.
DEK 5/6,5 MC	white	5 mm	900	1609840000

DEK - Custom printing

Type	Colour of material	Length	Qty.	Order No.
DEK 5/6,5 MC	white	5 mm	180	1609850000

Clamping width: 7.5 mm

DEK - blank

Type	Colour of material	Length	Qty.	Order No.
DEK 5/7,5 MC	white	5 mm	320	1720620000

DEK - Custom printing

Type	Colour of material	Length	Qty.	Order No.
DEK 5/7,5 MC	white	5 mm	320	1770490000

Clamping width: 8.0 mm

DEK - blank

Type	Colour of material	Length	Qty.	Order No.
DEK 5/8 MC	white	5 mm	800	1856740000

DEK - Custom printing

Type	Colour of material	Length	Qty.	Order No.
DEK 5/8 MC	white	5 mm	160	1856750000

WS

WS markers are designed specifically for W series terminals. But thanks to their system compatibility, WS markers can also be used with the I series, Z series and P series. The generous size of these markers permit long characters strings and multiple-line printing.

WS markers are ideal for labelling where long, individual character strings are required. And the proven MultiCard format makes labelling possible with the SMark-Laser, PrintJet, MCP Plus Plotter or MC-Mobilo as well.

- Mount in strips or individually
- Markers in the proven MultiCard format
- Excellent printing quality thanks to the Weidmüller MultiCard printers



Technical data

Material	Polyamide 66, halogen-free
UL 94 flammability rating	V2
Temperature range	-40 °C to 100 °C
Printing	black

Ordering data

Colour	Available in all colours of the international colour code; for MC on request									
	<table border="0"> <tr> <td>● brown</td> <td>● red</td> <td>● orange</td> </tr> <tr> <td>● yellow</td> <td>● green</td> <td>● blue</td> </tr> <tr> <td>● violet</td> <td>● grey</td> <td>○ white</td> </tr> </table>	● brown	● red	● orange	● yellow	● green	● blue	● violet	● grey	○ white
● brown	● red	● orange								
● yellow	● green	● blue								
● violet	● grey	○ white								
Special printing	Specify special printing and colours per diskette, Excel file or using the M-Print® PRO software.									
Minimum order quantity	1 pack									
Notes on mounting	Mount in strips when the marker pitch (width) corresponds to the pitch of the terminals. For example, WS 10/6 = 6 mm pitch for terminals with 6 mm pitch such as the WDU 4. Mount individual markers when the terminal pitch is larger than the marker pitch (width). For example, WS 12/6.5 mount individually on WDU 6 terminals. Weidmüller markers with 5 mm pitch (width) are suitable for all widths of terminals.									

ZS

ZS

ZS markers – in the proven MultiCard format – were specially developed for Z series terminals. They provide users with a large labelling area. Their unique hinged form means that cross-connectors, for example, are still readily accessible without having to remove the marker. Markers can be clipped on in strips to guarantee fast installation, but individual markers are easily separated.

- Hinged labelling area
- Mount in strips or individually
- Markers in the proven MultiCard format
- Flexible, fast printing on site during installation



Technical data

Material	Polyamide 66, halogen-free
UL 94 flammability rating	V2
Temperature range	-40 °C to 100 °C
Printing	black

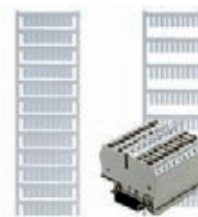
Ordering data

Colour	white
Notes on mounting	height x width (pitch), e.g. ZS 10/5 10 mm high, 5 mm wide = 5 mm pitch
Special printing	Specify special printing and colours per diskette, Excel file or using the M-Print® PRO software.
Suitable printing systems	SMark-Laser, PrintJet, MCP Plus Plotter, MC-Mobilo
Minimum order quantity	1 pack

Terminal markers – WS / ZS

WS markers are perfect for the connectors of the W-series, I-series, P-series and Z-series. The WS 10/5 and 10/6 Middle, are fitted with a centre foot and can be used for the I-series. The ZS markers are specially designed for the Z-series.

onlinecomponents.com
THE ONLINE DISTRIBUTOR OF ELECTRONIC COMPONENTS



Clamping width: 3.5 mm

WS - blank

Ordering data

Type	Colour of material	Length	Qty.	Order No.
WS 12/3,5 MC	white	12 mm	600	1778270000

WS - Custom printing

Type	Colour of material	Length	Qty.	Order No.
WS 12/3,5 MC	white	12 mm	120	1778280000

Clamping width: 5.0 mm

WS - blank

Type	Colour of material	Length	Qty.	Order No.
WS 8/5 MC	white	8 mm	720	1640740000
WS 8/5 MC GE	yellow	8 mm	720	1773521687
WS 8/5 MC RT	red	8 mm	720	1773521686
WS 8/5 MC BL	blue	8 mm	720	1773521693
WS 8/5 MC OR	orange	8 mm	720	1773521690
WS 8/5 PLUS MC	white	8 mm	600	1951870000
WS 10/5 MC	white	10 mm	720	1635000000
WS 10/5 MC Middle	white	10 mm	720	1792000000
WS 10/5 MC GE	yellow	10 mm	720	1773531687
WS 10/5 MC RT	red	10 mm	720	1773531686
WS 10/5 MC BL	blue	10 mm	720	1773531693
WS 12/5 MC	white	12 mm	720	1609860000
WS 12/5 MC GE	yellow	12 mm	720	1773541687
WS 12/5 MC RT	red	12 mm	720	1773541686
WS 12/5 MC BL	blue	12 mm	720	1773541693
WS 12/5 MC OR	orange	12 mm	720	1773541690
WS 12/5 MC PLUS	white	12 mm	600	1927510000
WS 14/5 MC	white	14 mm	480	1768090000
WS 15/5 MC	white	15 mm	480	1609880000
WS 15/5 MC GE	yellow	15 mm	480	1773571687

WS - Custom printing

Type	Colour of material	Length	Qty.	Order No.
WS 8/5 MC	white	8 mm	144	1640750000
WS 10/5 MC	white	10 mm	144	1635010000
WS 10/5 MC Middle	white	10 mm	144	1792010000
WS 12/5 MC	white	12 mm	144	1609870000
WS 12/5 MC PLUS	white	12 mm	60	1927520000
WS 15/5 MC	white	15 mm	96	1609890000

Clamping width: 6.0 mm

WS - blank

Type	Colour of material	Length	Qty.	Order No.
WS 8/6 PLUS MC	white	8 mm	600	1951880000
WS 10/6 MC	white	10 mm	600	1828450000
WS 10/6 MC Middle	white	10 mm	600	1818400000
WS 10/6 MC Middle GN	green	10 mm	600	1917420000
WS 10/6 MC Middle GE	yellow	10 mm	600	1917430000
WS 10/6 MC Middle RT	red	10 mm	600	1917440000
WS 10/6 MC Middle OR	orange	10 mm	600	1917410000
WS 12/6 MC	white	12 mm	600	1609900000
WS 12/6 MC GE	yellow	12 mm	600	1773551687
WS 12/6 MC RT	red	12 mm	600	1773551686
WS 12/6 MC BL	blue	12 mm	600	1773551693
WS 12/6 MC OR	orange	12 mm	600	1773551690
WS 12/6 MC BR	brown	12 mm	600	1773551692
WS 12/6 MC VI	violet	12 mm	600	1773551689
WS 12/6 MC PLUS	white	12 mm	600	1927530000

WS markers are perfect for the connectors of the W-series, I-series, P-series and Z-series. WS 10/5 and 10/6 Middle are fitted with a centre foot and can be used for the I-series. The ZS markers are specially designed for the Z-series.

**WS - Custom printing****Ordering data**

Type	Colour of material	Length	Qty.	Order No.
WS 10/6 MC	white	10 mm	120	1828460000
WS 10/6 MC Middle	white	10 mm	120	1818410000
WS 12/6 MC	white	12 mm	120	1609910000
WS 12/6 MC PLUS	white	12 mm	120	1927540000

Clamping width: 6.5 mm**WS - blank**

Type	Colour of material	Length	Qty.	Order No.
WS 12/6,5 MC	white	12 mm	540	1609920000
WS 12/6,5 MC GE	yellow	12 mm	540	1773561687
WS 12/6,5 MC RT	red	12 mm	540	1773561686
WS 12/6,5 MC BL	blue	12 mm	540	1773561693
WS 12/6,5 MC GN	green	12 mm	540	1773561688

WS - Custom printing

Type	Colour of material	Length	Qty.	Order No.
WS 12/6,5 MC	white	12 mm	108	1609930000

Clamping width: 8.0 mm**WS - blank**

Type	Colour of material	Length	Qty.	Order No.
WS 10/8 MC	white	10 mm	420	1905950000
WS 12/8 MC	white	12 mm	420	1906000000

WS - Custom printing

Type	Colour of material	Length	Qty.	Order No.
WS 10/8 MC	white	10 mm	84	1906030000
WS 12/8 MC	white	12 mm	84	1906010000

Clamping width: 12.0 / 15.0 mm**WS - blank**

Type	Colour of material	Length	Qty.	Order No.
WS 10/12 MC	white	10 mm	300	1905970000
WS 10/15 MC	white	10 mm	240	1854090000

WS - Custom printing

Type	Colour of material	Length	Qty.	Order No.
WS 10/12 MC	white	10 mm	60	1906060000
WS 10/15 MC	white	10 mm	48	1854100000

Clamping width: 5.0 mm**ZS - blank**

Type	Colour of material	Length	Qty.	Order No.
ZS 10/5 MC	white	10 mm	480	1610000000
ZS 15/5 MC	white	15 mm	480	1646630000

ZS - Custom printing

Type	Colour of material	Length	Qty.	Order No.
ZS 10/5 MC	white	10 mm	96	1610010000
ZS 15/5 MC	white	15 mm	96	1646640000

Clamping width: 6.0 mm**ZS - blank**

Type	Colour of material	Length	Qty.	Order No.
ZS 12/6 MC	white	12 mm	400	1610020000

ZS - Custom printing

Type	Colour of material	Length	Qty.	Order No.
ZS 12/6 MC	white	12 mm	80	1610030000

Terminal markers – Tag carrier



Snap Mark

Technical specification	
Material	Polyamide 66
UL 94 flammability rating	V2
Min. temperature, continuous	-40 °C
Max. temperature, continuous	100 °C
Colour of material	white

Accessories

onlinecomponents.com

This tag holder is specially conceived for the IDK 1.5N two-tier terminal of the I-series. The flexible hinge mechanism allows cross-connections to be connected or disconnected at little effort. It can be fitted with four DEK 5 tags or two WS 10/5 Middle connector markers.

Ordering data

Type	Length	Width	Qty.	Order No.
Snap Mark I	23 mm	5 mm	50	1805880000

Type	Length	Width	Qty.	Order No.
WS 10/5 MC Middle	10 mm	5 mm	720	1792000000
DEK 5/5 MC	5 mm	5 mm	1000	1609801044



BZT1 / BZT2

Technical specification	
Material	Polyamide
UL 94 flammability rating	V2
Min. temperature, continuous	-40 °C
Max. temperature, continuous	100 °C
Colour of material	beige

Accessories

The BZT marker carrier enables clear labelling of the ZDU 2.5/4/6 and ZDUA terminal range. The BZT is equipped with the WS 10/5 connector marker. The ZA version ensures maximum stability due to block construction of the marker carrier.

Ordering data

Type	Length	Width	Qty.	Order No.
BZT 1	8 mm	5 mm	100	1805490000
BZT 1 ZA	8 mm	5 mm	100	1805520000
BZT 2	12 mm	5 mm	100	1805480000
BZT 2 ZA	12 mm	5 mm	100	1805530000

Type	Length	Width	Qty.	Order No.
WS 10/5 MC	10 mm	5 mm	720	1635000000

onlinecomponents.com

The SCHAT 5 & SCHAT 5 S group marker carrier is clipped directly to the TS 32 DIN rail (G-rail) or the TS 35 DIN rail (top-hat rail). It is therefore possible to provide terminal strip labelling irrespective of the terminal and the type of terminal.



SCHAT 5 / SCHAT 5 S

Technical specification

Material	Polyamide 66
UL 94 flammability rating	V2
Min. temperature, continuous	-40 °C
Max. temperature, continuous	100 °C
Colour	beige

Accessories

Ordering data

Type	Length	Width	Qty.	Order No.
SCHAT 5	44,5 mm	19,5 mm	20	0292460000
SCHAT 5 S	44,5 mm	9,5 mm	20	1631930000

Type	Length	Width	No. per sheet	Qty.	Order No.
ESO 5 white	40 mm	16,5 mm	60	10	1607710000
ESO 5 yellow	40 mm	16,5 mm	60	10	1631350000
ESO 5P white	40 mm	16,5 mm	60	10	1670370000
ESO 5P yellow	40 mm	16,5 mm	60	10	1670380000
ESO 5 S white	40 mm	7 mm	140	10	1631920000
STR 5 F.SCHAT 5	40 mm	16,5 mm		20	0294000000
STR 5 S. F.SCHAT 5 S	40 mm	7 mm		20	1631940000



SCHAT 7

Technical specification

Material	Polyamide 66
UL 94 flammability rating	V2
Min. temperature, continuous	-40 °C
Max. temperature, continuous	100 °C
Colour	white

Accessories

Ordering data

Type	Length	Width	Qty.	Order No.
SCHAT 7	39,3 mm	8 mm	20	0517960000

Type	Length	Width	No. per sheet	Qty.	Order No.
DEK 5/5 MC	5 mm	5 mm		1000	1609801044
ESO 7 white	27 mm	6,3 mm	240	10	1607720000
ESO 7 yellow	27 mm	6,3 mm	240	10	1634780000
ESO 7P white	27 mm	6,3 mm	240	10	1670390000
ESO 7P yellow	27 mm	6,3 mm	240	10	1670400000
STR 7 SCHAT 7	27 mm	6,3 mm		20	0515300000
WS 10/5 MC Middle	10 mm	5 mm		720	1792000000

The SCHAT 7 is a hinged group marker carrier for inlay tags which still allows easy access to the clamping screw. To equip with ESO 7, 4 tags of DEK 5/5 or 2 tags of WS 10/5 Middle.

Terminal markers – Tag carrier



SCHAT 9/4 / SCHAT 14/6

Technical specification

Material	Polyamide 66
UL 94 flammability rating	V2
Min. temperature, continuous	-40 °C
Max. temperature, continuous	100 °C
Colour	beige

Accessories

onlinecomponents.com

SCHAT 9/4 and SCHAT 14/6 are hinged group marker carriers for single dekafix and WS tags, allowing easy access to the clamping screws.

Ordering data

Type	Length	Width	Qty.	Order No.
SCHAT 14/6	44.3 mm	6 mm	20	1269060000
SCHAT 9/4	32 mm	4 mm	20	1278460000

Type	Length	Width	Qty.	Order No.
DEK 5/5 MC	5 mm	5 mm	1000	1609801044
WS 12/5 MC	12 mm	5 mm	720	1609860000



WGB 5 / WGB 8 / WAD

Technical specification

Material	Polyamide 66
UL 94 flammability rating	V2
Min. temperature, continuous	-40 °C
Max. temperature, continuous	100 °C

WGB group marker carrier for single dekafix and WS tags. The WGB also covers the cross-connection channels.

Blank WAD covers for labelling with STI pen, or a special printing for the W-series. Cross-connection channels are covered. Also available with lightning flash warning symbol to DIN 30600.

Ordering data

Type	Length	Width	Colour	Qty.	Order No.
WGB 5	33.5 mm	5 mm	beige	50	1050760000
WGB 8	33.5 mm	7.7 mm	beige	50	1050960000
WAD 5	33.5 mm	5 mm	white	50	1056060000
WAD 5 lightning flash	33.5 mm	5 mm	yellow	50	1053460000
WAD 8	33.5 mm	8 mm	white	50	1056160000
WAD 8 lightning flash	33.5 mm	8 mm	yellow	50	1053560000
WAD 12	36.2 mm	12 mm	white	50	1056260000
WAD 12 lightning flash	36.2 mm	12 mm	yellow	50	1055960000
WAD 27	64 mm	27 mm	white	10	1062960000
WAD 27 lightning flash	64 mm	27 mm	yellow	10	1062860000

WAD – Custom printing

Type	Length	Width	Colour	Qty.	Order No.
WAD 5	33.5 mm	5 mm	white	100	1790060000
WAD 8	33.5 mm	8 mm	white	50	1667700000

Accessories – WGB 5 / WGB 8

Type	Length	Width	Qty.	Order No.
DEK 5/5 MC	5 mm	5 mm	1000	1609801044
DEK 5/30 MC	5 mm	30 mm	100	1951920000
WS 12/5 MC	12 mm	5 mm	720	1609860000

The ZGB 15 / ZGB 30 is a hinged marker carrier. The tag holder can be fitted with the dekafix 5, WS 12/5 connector markers or with the push-in tag ESO 15 / ESO 7.



ZGB 15 / ZGB 30

Technical specification

Material	Polyamide 66
UL 94 flammability rating	V2
Min. temperature, continuous	-40 °C
Max. temperature, continuous	100 °C
Colour	white

Accessories

Ordering data

Type	Length	Width	Qty.	Order No.
ZGB 15	15 mm	7 mm	20	1636530000
ZGB 30	32 mm	7 mm	20	1611930000

Type	Length	Width	No. per sheet	Qty.	Order No.
DEK 5/5 MC	5 mm	5 mm		1000	1609801044
ESO 7 white	27 mm	6.3 mm	240	10	1607720000
ESO 7 yellow	27 mm	6.3 mm	240	10	1634780000
ESO 7P white	27 mm	6.3 mm	240	10	1670390000
ESO 7P yellow	27 mm	6.3 mm	240	10	1670400000
ESO 15 white	15 mm	6 mm	120	1	1636510000
STR 7 SCHAT 7	27 mm	6.3 mm		20	0515300000
STR 15 ZGB 15	15 mm	6.3 mm		20	1636520000
WS 12/5 MC	12 mm	5 mm		720	1609860000



EM 8/30

Technical specification

Material	Polypropylene
UL 94 flammability rating	HB
Min. temperature, continuous	-40 °C
Max. temperature, continuous	80 °C
Colour	transparent

Accessories

The EM 8/30 end bracket marker is suitable for labelling the WEW 35/2 and ZEW 35/2 end brackets as well as marker carrier for W-series terminals. The EM 8/30 can be fitted with the ESO 7 and ESO 7P inlay tags. The pocket guarantees that the labelling is well protected against environmental influences.

Ordering data

Type	Length	Width	Qty.	Order No.
EM 8/30	30 mm	8 mm	50	1806120000

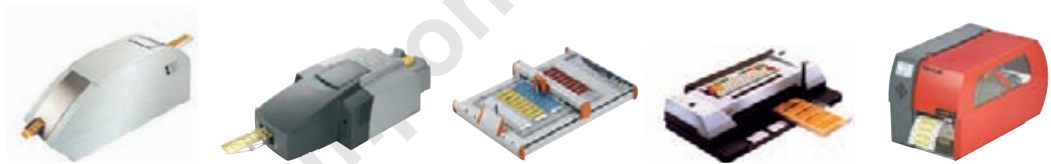
Type	Length	Width	No. per sheet	Qty.	Order No.
ESO 7 white	27 mm	6.3 mm	240	10	1607720000
ESO 7 yellow	27 mm	6.3 mm	240	10	1634780000
ESO 7P white	27 mm	6.3 mm	240	10	1670390000
ESO 7P yellow	27 mm	6.3 mm	240	10	1670400000

Printing systems and software

The Weidmüller labelling systems are the quick and efficient way of producing markers for connectors, wires, cables and devices, plus labels for general use. The **M-Print® PRO** software enables users to mark electrical equipment quickly and simply. For professional and fast design, printing and ordering of your marking requirements. Borders, barcodes, graphics or photos can all be easily integrated. The multitude of data conversion routines presents you with fast and flexible options for data integration. The Weidmüller **SMark-Laser**, **PrintJet PRO**, **MCP Plus** and **MC-Mobilo** printers plus those of the ThermoMark series can be used for printing.

The unique printing speed of the **SMark-Laser** makes it a real winner. The **PrintJet PRO** is the reference model in industrial marking for high-resolution printing and maximum wipe and scratch resistance. The **MCP Plus** plotter provides you with good flexibility because with its positioning frame it can handle more than 120 different types of marker in the MultiCard format. The **MC-Mobilo** is the ideal printer for labelling on site without a PC and a mains power supply, directly during installation work. The printers of the ThermoMark series are ideal for printing labels and/or shrinkable sleeves in excellent quality.

G



Type of marker	Printer				
	SMark-Laser	PrintJet PRO	MCP Plus plotter	MC-Mobilo	ThermoMark
Connector markers					
DEK	●	●	●	●	
WS	●	●	●	● ¹	
ZS	●	●	●	●	
MF	●	●	●	●	
Cable and wire markers					
SF	●	●	● ²	● ²	
SFX	●	●	●	●	
SFC	●	●	●	●	
TM-I	●	●	●	●	
TwinMark					●
Device markers					
DMC	●	●	●	●	
ESG	●	●	●	●	
SM	●	●	●	●	
ClipCard	●	●	●	●	
Labels					
THM MT					●
THM WriteOn					●

¹ Except WS 15/5

² SF 4 to 6 only with corresponding positioning frame

SMark-Laser

The **SMark-Laser** is a laser printer for printing on markers in the MultiCard format. The fast production of large numbers of individually printed markers is the special feature of this printer. The automatic feed function of the **SMark-Laser** increases productivity even further and ensures that your markers are available without delay.

- Fast printing speed, 4 MultiCards per minute
- Markers can be used immediately
- Fast operation irrespective of the file size
- Good flexibility thanks to production of markers in MultiCard format to meet users' requirements
- Reduces stocks because only blank markers are required
- Printing of graphics and logos as well
- Optional automatic feed for large quantities
- Can be used together with the Weidmüller **M-Print® PRO** software



Technical data

Type	SMark-Laser
Application	Prints all MultiCards
Technology	Laser printer
Printing speed	4 MultiCards per minute
Print quality	600 dpi
Printer drivers	WIN 9.x, NT, 2000/XP
Software	M-Print® PRO
System requirements	Windows® 2000/XP/Vista
Feed	Manual or with optional loader
Interfaces	Centronics
Power supply	AC 230 V / 50 Hz / 16 A
Ambient conditions	20 °C – 35 °C
Dimensions: (L x W x H)	1000 x 430 x 380 mm
Scope of supply	Laser printer, power cable, printer drivers, manual, interface cable, M-Print® PRO software

Ordering data

SMark-Laser

Type	Order No.
SMark-Laser	1767090000
Rack	1782880000
Special toner cartridge	1770070000

Print options



PrintJet PRO



The **PrintJet PRO** inkjet printer prints markers for electric connectivity. These markers can be used for clear equipment identification on devices, cables and connectors. The labelling makes servicing, maintenance and troubleshooting much easier. Water-based ink is used for the black or spot colour printing. The print is crystal clear and resistant to environmental influences.

The **PrintJet PRO** prints plastic markers in **MultiCard** format. In combination with the user-friendly **M-Print® PRO** software and the attached loader, the printer becomes an essential part of the production. The inkjet process being used, the subsequent fusing, as well as the printer cartridge and ink have all been specially adapted by Weidmüller for industrial use. The printer has excellent long-term use capabilities, thanks to its integrated loader.



- Top-quality, resistant printing
- Spot colour print
- Perfect for constant use
- Integrated loader for 20 MultiCards
- Ideal for large quantities
- The display shows all relevant information
- Flexible connection options, from LAN ports to USB ports

Technical data

PrintJet PRO	
Type	PrintJet PRO
Application	Prints MultiCard markers
Technology	Inkjet process
Print quality	600 / 1.200 dpi
Printer drivers	Windows® 2000/XP/VISTA
Print software	M-Print® PRO
System requirements	Windows® 2000/XP/VISTA
Feed	Integrated loader
Fusing	Thermal fusing
Interface	USB, LAN
Power supply	AC 230 V or AC 115 V
Location	Office conditions
Ambient temperature	20° to 35 °C
Dimensions (L x W x H)	1060 x 500 x 310 mm
Weight	33 kg
Cartridge system	Ink cartridge, CMYK (480.000 characters, Arial font size 6)
Scope of supply	PrintJet printer, power cable, printer drivers, manuals (CD), USB cable, M-Print® PRO software

Ordering data

PrintJet PRO

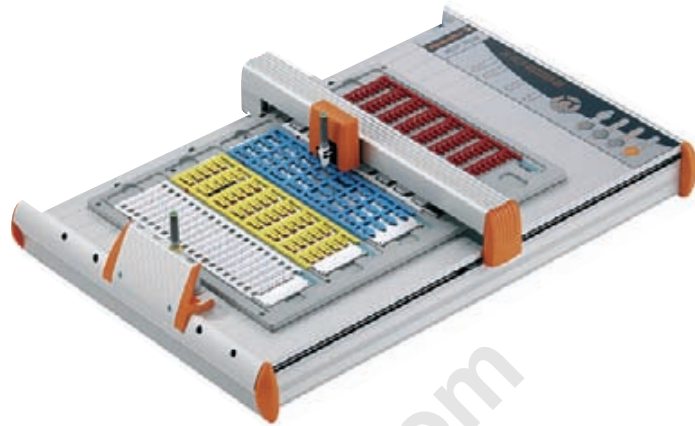
Type	Order No.
PrintJet PRO 115V	1024050000
PrintJet PRO 230V	1001180001
Accessories	
PJ PRO TNTK INK SET BK	Ink tank starter set, black 1027090000
PJ PRO TNTK INK SET COL	Ink tank starter set, colour 1027110000
PJ PRO TNTK INK K	● Ink tank Black 1027040000
PJ PRO TNTK INK C	● Ink tank Cyan 1027050000
PJ PRO TNTK INK M	● Ink tank Magenta 1027060000
PJ PRO TNTK INK Y	● Ink tank Yellow 1027070000
PJ PRO TNTK FL	Ink tank fluid 1027080000
Ink tank PrintJet II	1858920000
Clean Unit PrintJet II	1858950000
Ink tank PrintJet	1797460000
Clean Unit PrintJet	4062150000

Note: Available starting third quarter, 2008

MCP Plus

The plotter **MCP Plus** complements the Weidmüller MultiCard concept. It is suitable for smaller quantities of markers and when only part of a MultiCard is to be printed on. The special positioning frame for five MultiCards increases productivity by 20 % over comparable systems. With the positioning frame for SlimFix markers sizes 4 to 6, printing on more than 120 MultiCard types for terminals, cables, wires and equipment is possible. Labels are printed with the MCP-Label positioning frame. Suitable for use with the Weidmüller **M-Print® PRO** software.

- 2 positioning frames for more than 120 MultiCard types
- MultiCards easily fitted into the frame
- Easy to use with partly used MultiCards
- Automatic pen activation function
- Safe storage of the plotter pens



Technical data

Type	Plotter
Application	printing of MultiCard markers and labels
Technology	plotting technique
Print software	M-Print® PRO
System requirements	Windows® 2000/XP/Vista
Interface	Parallel Centronics
Power supply	230/115 V AC
Feed	manual
Location	office conditions
Ambient temperature	10 °C - 35 °C
Dimensions (L x W x H)	660 x 440 x 125 mm
Weight	approx. 8 kg
Scope of supply	MCP Plus with Centronics cable, USB cable, power pack (100-240 V AC/50-60 Hz), Euro and US plugs, MultiCard positioning frame, 0.25 mm plotter pen, M-Print® PRO software and manual

Ordering data

Type	Order No.
MCP Plus plotter set	1925000000

Note:



MCP positioning frames

Technical specification

Ordering data

Type	for	Qty.	Order No.
MCP AP	MultiCards	1	1924360000
MCP AP SF 4-6	SlimFix sizes 4 to 6	1	1924310000
MCP AP Labels	Labels	1	1924370000

MCP plotter pens

Technical specification

Type	for	Qty.	Order No.
Plotter Pen 0.18	Reusable pen	1	1768570000
Plotter Pen 0.25	Reusable pen	1	1768540000
Plotter Pen 0.25 P-Ink	Disposable pen 8 ml	1	1920640000
Plotter Pen 0.35	Reusable pen	1	1768550000
Plotter Pen 0.35 P-Ink	Disposable pen 8 ml	1	1920650000
Plotter Pen 0.50	Reusable pen	1	1768560000
Plotter Pen 0.50 P-Ink	Disposable pen 8 ml	1	1005710000
Plotter Pen 0.70	Reusable pen	1	1011440000
Plotter Pen 0.70 P-Ink	Disposable pen 8 ml	1	1011450000

MCP ink

Technical specification

Type	Contents	Qty.	Order No.
P-Ink	22 ml	1	1924340000
Ink 2000	25 ml	1	1772120000

MCP miscellaneous

Technical specification

Type	Contents	Qty.	Order No.
MCP adhesive strips		1	1924320000
P cleaner	22 ml	1	1924330000
MCP cover		1	1924350000
Cleaner Clean 2000	25 ml	1	1772130000
Cleaning beaker		1	1288300000
Inlay for MCP Plus		1	1935130000

MCP software

Technical specification

Type	Qty.	Order No.
M-PRINT PRO	1	1905490000



Accessories - STI pen

Technical specification

Ordering data

Type	Qty.	Order No.
Adapter aluminium STI pen	1	1762440000
STI pen SW	10	0508401694

The STI-S felt tip pen is suitable for labelling blank Weidmüller marking products. It can be used for handwritten labels or, in conjunction with the STI-S adapter, for a plotter printout. A black, waterproof ink is used.

MC-Mobilo

The MC-Mobilo allows users to work directly at place. There is no need for a PC and no need for a power supply so electrical equipment can be labelled anywhere, anytime. The rechargeable battery provides power for up to 3 hours. The universal inlay enables up to 120 different marker types of the MultiCard range to be processed.



Technical data

Type	Plotter
Application	Printing of MultiCard markers
Technology	Plotting technique
Print software	WM-Print
Interface	RS 232
Power supply	AC 230 / AC 115 V
Feed	manual
Location	can be used anywhere
Ambient temperature	15 – 30 °C
Dimensions (L x W x H)	380 x 190 x 68 mm
Weight	3 kg
Scope of supply	MC-Mobilo, universal power unit, including adapters (EURO, UK, USA), data cassette, operating instructions, PowerPack, PC connecting cable, WM-Print, universal MultiCard mounting frame, 0.25 mm plotter pen, carry case

Ordering data

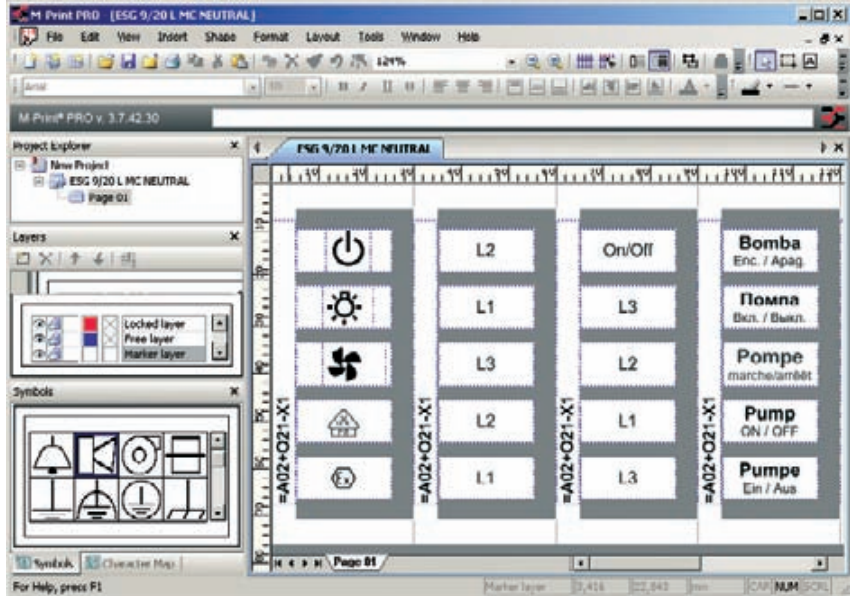
MC-Mobilo

MC-Mobilo	Qty.	Order No.
MC-Mobilo 110/220 V	1	1741260001
MC-Mobilo Accessories		
Printkit (Ink 2000, Clean 2000, Plotter-Pen 0,25)	1	1686920000
Frame inlay SF 4-6	1	1802180000
Accessories Plotter IP220/MC-Mobilo		
P-Ink	1	1924340000
Ink 2000 25 ml	1	1772120000
P cleaner	1	1924330000
Cleaner Clean 2000 25 ml	1	1772130000
Plotter pen 0.18	1	1768570000
Plotter pen 0.25	1	1768540000
Plotter pen 0.25 P-Ink	1	1920640000
Plotter pen 0.35	1	1768550000
Plotter pen 0.35 P-Ink	1	1920650000
Plotter pen 0.50	1	1768560000
Plotter pen 0.50 P-Ink	1	1005710000
Plotter pen 0.70	1	1011440000
Plotter pen 0.70 P-Ink	1	1011450000
Accessories – STI pen		
Adapter aluminium STI pen	1	1762440000
STI pen SW	10	0508401694

M-Print® PRO Label Designer

Print and ordering software for markers and labels

M-Print® PRO is a professional software for printing and ordering Weidmüller markers and labels under Windows®. This software helps you to optimise your processes for marking electrical equipment. You can design, print and order your marking materials effortlessly, professionally and quickly: texts, frames, lines, graphics, barcodes, serial numbers and photos.



Technical data

Here is an overview of the main functions

- Integrated product catalogue for all labels and markers, including images and links to the relevant web pages and product data sheets
- Markers and labels can be designed in as many levels as required
- Custom formatting of individual text characters (RTF)
- Perform copy-and-paste functions with texts and their formats
- Supports UNICODE for foreign-language texts, such as Russian, Chinese, Polish, etc.
- Enter data on labels or worksheet
- Permanent print preview: see how the printout will look during the design phase
- Alphanumeric counts and sequences
- Extensive range of image formats (*.bmp, *.wmf, *.png, *.ico, *.jpeg, *.tif, *.gif)
- Image library including all the important symbols used in electrical engineering
- Assign product to specific printer; for example, ESG 9/20 to PrintJet, LaserMark to laser printer, etc.
- Output devices supported: PrintJet I-II, SMark-Laser, ThermoCard, THM as well as standard printers with Windows drivers, plotter MCP Plus
- Optimum and rapid adjustment of the output devices
- Online update service via the Internet
- Interface to RailDesigner®
- Import assistant to create your own import filter for numerous file formats (*.txt, *.asc, *.mak, *.wei, *.tmf, etc.)
- Imports data from CAE systems

Operating systems supported

WINDOWS® 2000/XP/Vista

System requirements

RAM	> 64 MB
Processor	> Pentium III or comparable model
Graphics	> 800 x 600 pixels with 256 colours optimum: 1024 x 768 with 16-bit High Colour
Hard drive	> 90 MB free storage
Miscellaneous	mouse, keyboard, CD-ROM drive (to install the software)

M-Print® PRO is available in two editions:

- M-Print® PRO Standard Edition for professional printing results with all of Weidmüller's marking materials
- M-Print® PRO Advanced Edition for professional printing results with all of Weidmüller's marking materials plus labels to customer specification

Ordering data

M-Print® PRO

Type	Order No.
M-Print® PRO	1905490000
M-Print® PRO advanced	1905500000

onlinecomponents.com

Tools

Cutter

- Cutting formation for different cable sizes increases the quality of the cuts for smaller cross-sections.

KT 8

Notching tool



KT 12

Notching tool



Cutting tool that does not damage the conductor; for cutting copper and aluminium cables with a diameter of up to 8 mm.

- Not suitable for steel wires, steel-armoured cables, aluminium alloys and hard-drawn copper conductors!

Cutting tool that does not damage the conductor; for cutting copper and aluminium cables with a diameter of up to 12 mm.

- Not suitable for steel wires, steel-armoured cables, aluminium alloys and hard-drawn copper conductors!

Technical data

Max. cutting performance copper cable	
Solid (max. conductor cross-section)	mm ² / AWG
Stranded (max. conductor cross-section)	mm ² / AWG
Flexible (max. conductor cross-section)	mm ² / AWG
Flexible, Stranded (max. diameter)	mm
Sector line	
Max. cutting performance aluminium cable	
Stranded (max. conductor cross-section)	mm ² / AWG
Stranded (max. diameter)	mm
Solid	mm ²
Data-/ telephone-/ control cable	
O.D. max.	mm
Tool data	
Length / width / height	mm
Weight	g
Information	

KT8	
Solid (max. conductor cross-section)	16 / 6
Stranded (max. conductor cross-section)	16 / 6
Flexible (max. conductor cross-section)	16 / 6
Flexible, Stranded (max. diameter)	8
Sector line	
Max. cutting performance aluminium cable	
Stranded (max. conductor cross-section)	16 / 6
Stranded (max. diameter)	8
Solid	16
Data-/ telephone-/ control cable	
O.D. max.	8
Tool data	
Length / width / height	165 / 65 / 25
Weight	180
Information	
Tool closed	

KT12	
Solid (max. conductor cross-section)	16 / 6
Stranded (max. conductor cross-section)	25 / 3
Flexible (max. conductor cross-section)	35 / 2
Flexible, Stranded (max. diameter)	12
Sector line	
Max. cutting performance aluminium cable	
Stranded (max. conductor cross-section)	25 / 6
Stranded (max. diameter)	8
Solid	25
Data-/ telephone-/ control cable	
O.D. max.	12
Tool data	
Length / width / height	215 / 66 / 28
Weight	300
Information	
Tool closed	

Ordering data

Version
Information

Type	Qty.	Order No.
KT 8	1	9002650000
Information		

Type	Qty.	Order No.
KT 12	1	9002660000
Information		

Accessories

Information

Type	Qty.	Order No.
Information		

Type	Qty.	Order No.
Information		

WAW 1

Notching tool



Tool for trimming poles from WQV 2.5 to WQV 35 cross connections used in Weidmüller W-Series terminals.

Technical data

Length	167 mm
Weight	227 g

Ordering data

Type	Qty.	Order No.
WAW 1	1	9004500000

WAW 2

Notching tool



Tool for punching out the cross-connection windows of the Weidmüller W-Series, Test-disconnect terminal WTR 2.5, Fuse terminal WSI 6.

Technical data

Length	205 mm
Weight	338 g

Ordering data

Type	Qty.	Order No.
WAW 2	1	9004510000

KT ZQV

Cutter



Cutter for non-pinch cutting of Weidmüller Z-series cross-connections.

Technical data

Length	215 mm
Weight	300 g

Ordering data

Type	Qty.	Order No.
KT ZQV	1	9002170000

G

TSLD

Terminal rail cutting and punching tool



G

- Mounting rail cutting and punching tool for:
- TS35/7.5 mm to EN 50022 (s = 1.0 mm)
 - TS35/15 mm to EN 50022 (s = 1.5 mm)
 - TS32 mm to EN 50035 (s = 1.5 mm)
 - TS15/5.5 mm to EN 50045 (s = 1.0 mm)
 - Copper grounding rail 10 mm x 3 mm

Punching

Cross- and lengthwise punches (elongated hole 12 x 6.4 mm)
(s = material density of the mounting rail)

Technical data

Width	205 mm
Length	270 mm
Height	200 mm
Weight	19000 g

Ordering data

Type	Qty.	Order No.
TSLD	1	9918700000

Cable cutter

- Easy handling
- Minimal hand force required
- Release option in every cutting position

KT 45 R



Technical data

Max. cutting capacity copper cable		KT 45 R
Solid (max. conductor cross-section)	mm ² / kcmil	
Stranded (max. conductor cross-section)	mm ² / kcmil	300 / 600
Flexible (max. conductor cross-section)	mm ² / kcmil	400 / 800
Flexible, Stranded (max. diameter)	mm	45
Sector conductor		3 x 70 SM
Max. cutting capacity aluminium cable		
Stranded (max. conductor cross-section)	mm ² / kcmil	400 / 800
Stranded (max. diameter)	mm	45
Sector conductor	mm ²	3 x 70 SE
Data-/ telephone-/ control cable		
O.D. max.	mm	45
Tool data		
Length / width / height	mm	290 / 40 / 85
Weight	g	740
Information		Tool closed

Ordering data

Version	Type	Qty.	Order No.
	KT 45 R	1	9202040000
Information			
The dimensions of the cable cutter refer to the delivery condition, i.e. the point of the hinged blade parallel to the fixed blade.			

Accessories

Type	Qty.	Order No.
Spare hinged blade KT 45 R	1	9204270000
Information		

Sheathing stripper

- Sheathing stripper for PVC cables

AM 16



- Sheathing stripper for PVC-insulated round cable
- Insulation can be stripped from any point along the cable
- Also very well suited for stripping cables in cable ducts
- Hinged blade for circumferential and longitudinal cuts
- Handle tips with integrated cutter for opening slit insulation

Technical data

Max. stripping performance	
Cable model	
Conductor cross-section	mm ²
Conductor diameter	mm
Max. stripping length	mm
Adjustable depth of cut	mm
Cutting performance	
Max. cutting performance	mm ²

Tool data	
Length	mm
Weight	g

Information

Ordering data

Version

Information

Accessories

Type	Qty.	Order No.
Spare blade	1	9204260000

Information

AM 16	
Cable model	PVC round cable
Conductor cross-section	mm ²
Conductor diameter	mm
Max. stripping length	mm
Adjustable depth of cut	mm
Max. cutting performance	mm ²

Tool data	
Length	mm
Weight	g

Information

Type	Qty.	Order No.
AM 16	1	9204190000

Information

Stripping and cutting tools

- For flexible and massive conductors with PVC-insulation
- Stripping length adjustable with shoulder
- automatic opening of the clamping jaws after stripping
- no splicing of the single conductor
- adjustable to different insulation thicknesses
- cable with double insulation in two processing steps without special adjustment
- Blade-device free from float and self-adjustable
- long durability
- optimised ergonomically design

stripax®



Stripping and cutting tool for flexible conductors with PVC-insulation of 0.08...6 mm² (~AWG 28...10)

- No damaging of the conductor due to special, self-adjustable stripping blades
- Processing of multi-conductors, with thin flat ribbon cables even multiple conductors in one operation

stripax® 16



Stripping and cutting tool for flexible and massive conductors with PVC-insulation of 6...16 mm² (~AWG 10... 6)

- Cutting of flexible and massive conductors up to 6 mm² (AWG 10)
- No damaging of the conductor due to special blade forms

Technical data

Max. stripping performance	
Cable model	
Conductor cross-section	mm ²
Conductor diameter	mm
Max. stripping length	mm
Adjustable depth of cut	mm
Cutting performance	
Max. cutting performance	mm ²

Tool data

Length	mm
Weight	g

Information

Ordering data

Version

Information

Accessories

Type	Qty.	Order No.
Cleaning brush	5	9005450000
Spare stripping blades	1	9054030000

Information

stripax®	
flexible & solid conductors with PVC insulation	
0.08 ... 6	mm ²
20	mm
6	mm ²

190	mm
155	g

Type	Qty.	Order No.
STRIPAX	1	9005000000

Type	Qty.	Order No.
Cleaning brush	5	9005450000
Spare stripping blades	1	9054030000

stripax® 16	
flexible & solid conductors with PVC insulation	
6 ... 16	mm ²
20	mm
6	mm ²

190	mm
155	g

Type	Qty.	Order No.
STRIPAX 16	1	9005610000

Type	Qty.	Order No.
Cleaning brush	5	9005450000
Spare stripping blades	1	9054080000

Crimping and cutting tool for wire end ferrules

- Cutting
- Stripping
- Crimping
- Conductor entry sideways
- Wire end ferrules according to DIN 46228-4
- Ratchet for precise crimping
- Efficient operation:
Change of tools not necessary, therefore significant saving of time
- automatic transport of wire end ferrules
- Only wire end ferrules in strips of 50 pieces may be used with this tool. The use of wire end ferrules on reels can lead to damage.

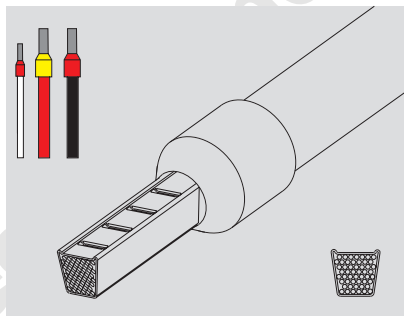
stripax® plus 2.5

Cutting, stripping and crimping tool for wire end ferrules



Cutting, stripping and crimping tool for linked wire end ferrules on strip with 0.5...2.5 mm² (~AWG 20...14) from Weidmüller

- Easy handling of wire end ferrules
- Automatic feeding of wire end ferrules



Technical data

Description of contact

Type of contact	
Crimping range	mm ²
Crimping range 1 (with multiple crimping positions)	mm ²
Crimping range 2 (with multiple crimping positions)	mm ²
Crimping range 3 (with multiple crimping positions)	mm ²
Plug width	mm

stripax® plus 2.5

Strip of wire end ferrules	
0.5 ... 2.5	
0.5 ... 0.75	
1 ... 1.5	
2.5	

Tool data

Length	mm	210
Weight	g	260

Information

Only Weidmüller wire end ferrules on strips à 50 pieces may be used. The usage of wire end ferrules supplied by the metre may cause failures.

Ordering data

Version

Type	Qty.	Order No.
stripax plus 2,5	1	902000000

Information

Spare cutter (order no.: 9050340000)

Accessories

Information

Crimping tools for wire end ferrules

- Ratchet for precise crimping
- Release mechanism in case of incorrect operation
- Entry for wire end ferrule on the side

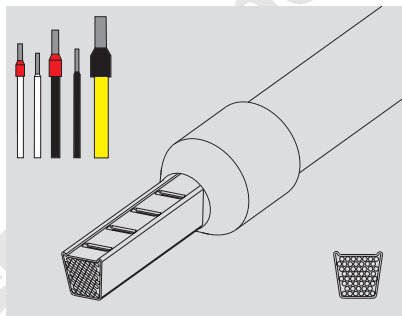
PZ 4

Crimping tool for wire end ferrules from 0.5...4 mm²



Crimping tool for wire end ferrules (to DIN 46228 part 1 and 4) with and without plastic collar and twin wire end ferrules of 0.5...2.5 mm²

- Only one crimping station for the whole cross-section



PZ 4

Wire end ferrules with/without plastic collar

0.5 ... 4

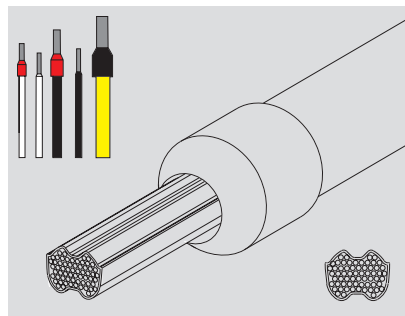
PZ 6/5

Crimping tool for wire end ferrules from 0.25...6 mm²



Crimping tool for wire end ferrules (to DIN 46228 pt. 1 and 4) with and without plastic collar of 0.25...6 mm² (~ AWG 24...10) and twin wire end ferrules of 0.5...4.0 mm²

- Crimp according to Euro-Norm EN 60947-1
- Five crimping stations corresponding to the conductor cross-section
- Approval according to VG 95211 (military designation VG 95 236 T 14 B 002)



PZ 6/5

Wire end ferrules with/without plastic collar

0.25 ... 6

0.25 ... 0.5

0.75 ... 1.5

2.5

4

6

Technical data

Description of contact

Type of contact	
Crimping range	mm ²
Crimping range 1 (with multiple crimping positions)	mm ²
Crimping range 2 (with multiple crimping positions)	mm ²
Crimping range 3 (with multiple crimping positions)	mm ²
Crimping range 4 (with multiple crimping positions)	mm ²
Crimping range 5 (with multiple crimping positions)	mm ²

Tool data

Length	mm	200
Weight	g	448

Information

Ordering data

Version

Type	Qty.	Order No.
PZ 4	1	9012500000

Type	Qty.	Order No.
PZ 6/5	1	9011460000

Information

Accessories

Information

Tools

Crimping tools for wire end ferrules

- Ratchet for precise crimping
- Release mechanism in case of incorrect operation

PZ 3

Crimping tool for wire end ferrules from 0.5...6 mm²



Crimping tool for wire end ferrules of 0.5...6 mm² with and without plastic collar according to DIN 46228 part 1 and 4 (~ AWG 20...10) and twin-wire end ferrules of 0.5...4 mm²

- Only one die for the whole cross-section
- Wire end ferrule insertion from the front

PZ 6 roto

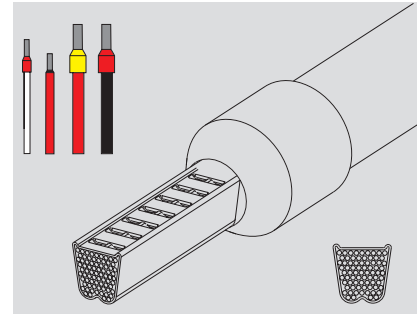
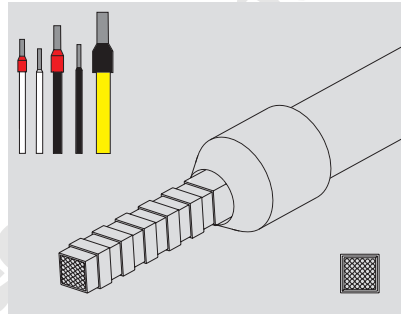
Crimping tool for wire end ferrules from 0.14...6 mm²



Crimping tool for wire end ferrules of 0.14...6 mm² with and without plastic collar to DIN 46228 part 1 and 4 (~ AWG 26...10) and twin-wire end ferrules of 0.5...4 mm²

- Only one die for the whole cross-section
- Pivoted die for wire end ferrule-insertion
- Wire end ferrule insertion from the front or from the side

G



Technical data

Description of contact	
Type of contact	
Crimping range	mm ²
Crimping range 1 (with multiple crimping positions)	mm ²
Crimping range 2 (with multiple crimping positions)	mm ²
Crimping range 3 (with multiple crimping positions)	mm ²
Plug width	mm

Tool data	
Length	mm
Weight	g
Information	

Ordering data

Version

Information

Accessories

Information

PZ 3		
Wire end ferrules with/without plastic collar		
0.5 ... 6		

PZ 6 roto		
Wire end ferrules with/without plastic collar		
0.14 ... 6		

Type	Qty.	Order No.
PZ 3	1	0567300000

Information

PZ 6 roto		
Wire end ferrules with/without plastic collar		
0.14 ... 6		

PZ 6 roto		
Wire end ferrules with/without plastic collar		
0.14 ... 6		

Type	Qty.	Order No.
PZ 6 roto	1	9014350000

Information

Crimping tools for wire end ferrules

- Ratchet for precise crimping
- Release mechanism in case of incorrect operation
- Entry for wire end ferrule on the side

PZ 16

Crimping tool for wire end ferrules from 6...16 mm²



Crimping tool for wire end ferrules (to DIN 46228 part 1 and 4) with and without plastic collar from 6...16 mm² (~ AWG 10...6)

- Three crimping stations corresponding to the conductor cross-sections
- Crimp according to Euro-Norm EN 60947-1
- Approval according to VG 95211 (military designation VG 95 236 T 14 B 002)

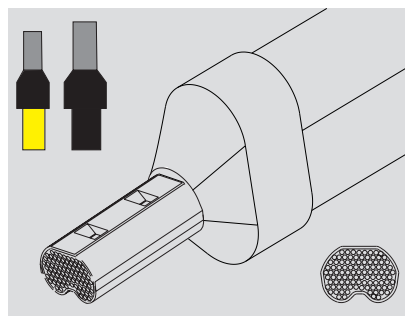
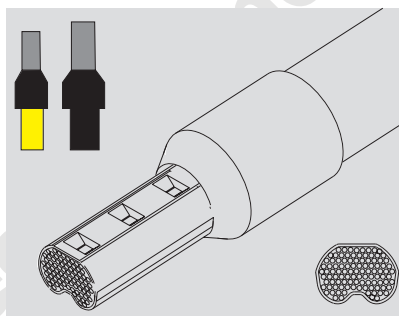
PZ ZH 16

Crimping tool for twin wire end ferrules, 6...16 mm²



Crimping tool for twin wire end ferrules (to DIN 46228 pt.4) with plastic collar from 6...16 mm² (~AWG 10...6)

- Three crimping stations corresponding to the conductor cross-sections



Technical data

Description of contact	
Type of contact	
Crimping range	mm ² 6 ... 16
Crimping range 1 (with multiple crimping positions)	mm ² 6
Crimping range 2 (with multiple crimping positions)	mm ² 10
Crimping range 3 (with multiple crimping positions)	mm ² 16
Plug width	mm

Tool data	
Length	mm 200
Weight	g 418
Information	

Ordering data

Version	
Information	

Accessories

Information

PZ 16		
Type	Qty.	Order No.
PZ 16	1	9012600000
Information		

PZ ZH 16		
Type	Qty.	Order No.
PZ ZH 16	1	9013600000
Information		

Tools

Crimping tools for wire end ferrules

- Ratchet for precise crimping
- Release mechanism in case of incorrect operation

onlinecomponents.com
THE ONLINE DISTRIBUTOR OF ELECTRONIC COMPONENTS

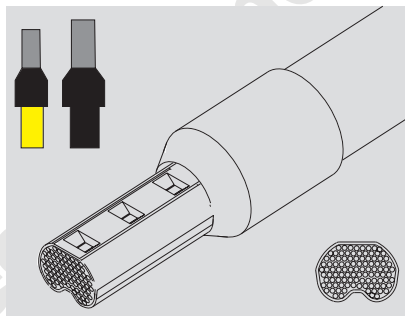
PZ 50

Crimping tool for wire end ferrules with 25, 35 and 50 mm²



Crimping tool for wire end ferrules of 25, 35 and 50 mm² with and without plastic collar to DIN 46228 part 1 and 4 (~ AWG 3...1)

- Three crimping stations corresponding to the conductor cross-sections
- Crimp according to Euro-Norm EN 60947-1
- Approval according to VG 95211 (military designation VG 95 236 T 14 B 002)



Technical data

Description of contact

Type of contact	
Crimping range	mm ²
Crimping range 1 (with multiple crimping positions)	mm ²
Crimping range 2 (with multiple crimping positions)	mm ²
Crimping range 3 (with multiple crimping positions)	mm ²
Plug width	mm

Tool data

Length	mm	260
Weight	g	700

Information

PZ 50

Wire end ferrules with/without plastic collar

25 ... 50

25

35

50

Ordering data

Version

Type	Qty.	Order No.
PZ 50	1	9006450000

Information

Accessories

Information

Rechargeable torque screwdriver

DMS 3



DMS 3 Set



DMS 3 rechargeable torque screwdriver

- One-hand operation under all working conditions
- Switchable forward and reverse
- Two speeds: 200 and 400 rpm
- Precise torque settings from approx. 0.2 ... 3 Nm in 6 steps
- Consistent performance during battery discharge
- Grip swings easily from rod to pistol form
- Takes 1/4" bits held ball-bearing clamping mechanism (form E6.3)
- Safety lock prevents inadvertent operation
- Easy changeover from battery drive to manual operation up to 15 Nm

Technical data

Screwdriver	
Motor	2.4 V DC
Idling speed	200/400 min ⁻¹
Max. torque	3.0 Nm
Chuck	1/4" E 6.3 DIN 3126
Length	239 mm
Weight	400 g
Battery	
Type	2 Ni-Cd batteries each 1.2 V
Weight	122 g
Charger	
Input	230 V AC, 50 Hz, 50 mA
Output	2.9 V AC, 1.4 A, 4.1 VA
Charging time	1 hour
Weight	700 g

Ordering data

Type	Qty.	Order No.
DMS 3	1	9007440000
Screwdriver incl. battery		

Type	Qty.	Order No.
DMS 3 set 1 (screwdriver incl. battery, charger, bits, plastic carrying case)*	1	9007470000
DMS 3 set 2 (as set 1 with 1 additional battery)	1	9007480000

*) refer to figure

Accessories

Type	Qty.	Order No.
Spare battery	1	9007450000
Charger	1	9007460000

Electric torque screwdriver

DMS 2 Set



- Torque adjustable in four steps for standard screws M2.5 to M4
- Selectable electric power cut-off upon reaching a preselected torque
- High repetition accuracy
- Start-up in low gear and switchover to operating rpm is controlled via the pressure on the screw head
- Switchable forward and reverse
- Fatigue-free working due to ergonomic design and low weight
- Ideal design for one-hand operation under all working conditions and at different working locations
- Low noise
- Low energy consumption

Technical data

Rated voltage	230 V
Frequency	60 Hz
Rated power	45 W
Current consumption	0.2 A
rpm of spindle	350 min ⁻¹
in search gear	700 min ⁻¹
in working mode	
Torques	
Level 1 (M 2.5)	0.5 ± 0.1 Nm
Level 2 (M 3)	0.7 ± 0.15 Nm
Level 3 (M 3.5)	1.2 ± 0.2 Nm
Level 4 (M4)	1.7 ± 0.25 Nm
Weight incl. supply cable	0.990 kg
Weight	0.820 kg
Noise level to DIN 45 634	58 db (A)

Protection class II to DIN 57 740
 DIN/VDE 0740 T.1 and T.2
 EMC to EC directive 89/336/EWG
 CE mark

Ordering data

Standard equipment	Type	Qty.	Order No.
	DMS 2 with 1/4" drive Form E 6.3 DIN 3126 with hang-up clip and 4 bits for slotted screws (Length: 50 mm) Blade dimensions 0.5 x 3 / 0.6 x 3.5 / 0.8 x 4 / 1.0 x 5.5	1	0664600000

Accessories

	Type	Qty.	Order No.
Balancer for hanging up the DMS 2	BAL 2 (balancer for hanging up the DMS 2)	1	0181800000

Combined cutting and screw driving tool

that does not damage the edge; for cutting of copper cables with a diameter of up to 1.5 mm² solid and 2.5 mm² flexible.

swifty®



swifty®

- Cable cutting tool to mount on non-insulated screw drivers with a blade diameter of 3.5 mm
- Minimum manual force required
- Automatic opening of the cutter
- Ergonomically designed grip

swifty®set

- Efficient operation:
- Only one tool for cable-processing in IDC-technology
- Suitable for screw and tension clamps
- Readily available pocket size
- For right-handed and left-handed use
- One-hand operation

swifty®set



Technical data

Maximum cutting capacity		
Copper cable:		
Solid cable (conductor cross-section)	mm ²	1.5
Flexible cable (conductor cross-section)	mm ²	2.5
Tool data		
Length x width x height	mm	35 / 18 / 40
Weight	g	20

Ordering data

Type	Qty.	Order No.
swifty® (without screwdriver)	1	9006020000

Type	Qty.	Order No.
swifty®set (with screwdriver)	1	9006060000
Screwdriver (SD 0.6 3.5x100)	1	9008330000

VDE insulated screwdriver

VDE insulated screwdriver sets, for working on live parts up to 1000 V AC and 1500 V DC, DIN EN 60900, IEC 900. safety tested GS, every one tested. Blade made from fully hardend, high-alloy chromium-vanadium-molybdenum steel, gunmetal finish.



SDI S

VDE insulated slot-head screwdriver, SDI DIN 7437, ISO 2380/2, output to DIN 5264, ISO 2380/1, SoftFinish grip



Type	Size / SW	A	B	C	Order No.
SDI 0.4 x 2.5 x 75		0.4	2.5	80	9008370000
SDI 0.5 x 3.0 x 100		0.5	3.0	100	9008380000
SDI 0.6 x 3.5 x 100		0.6	3.5	100	9008390000
SDI 0.8 x 4.0 x 100		0.8	4.0	100	9008400000
SDI 1.0 x 4.5 x 125		1.0	4.5	125	9008910000
SDI 1.0 x 5.5 x 125		1.0	5.5	125	9008410000
SDI 1.2 x 6.5 x 150		1.2	6.5	125	9025870000
SDI 1.6 x 8.0 x 175		1.6	8.0	175	9008430000
SDI 0.4 x 2.0 x 60		0.4	2.0	60	9205690000
SDI 1.0 x 4.5 x 175		1.0	4.5	175	9205700000
SDI 1.0 x 5.5 x 175		1.0	5.5	175	9205710000

SDIK PH

VDE insulated crosshead screwdriver, for Phillips screws, SDIK PH DIN 7438, ISO 8764/2-PH, output to ISO 8764-PH, SoftFinish grip



SDIK PH0	0	60	9008560000
SDIK PH1	1	80	9008570000
SDIK PH2	2	100	9008580000
SDIK PH3	3	150	9008590000

SDIK PZ

VDE insulated crosshead screwdriver type Pozidriv SDIK PZ DIN 7438, ISO 8764/2-PZ, output to ISO 8764-PZ, SoftFinish grip



SDIK PZ1	1	80	9008900000
SDIK PZ2	2	100	9008890000

SDIT

VDE insulated Torx®-screwdriver, SDIT SoftFinish grip



SDI T8	8	60	9201940000
SDI T10	10	80	9009640000
SDI T15	15	80	9009650000
SDI T20	20	80	9009660000
SDI T25	25	80	9009670000
SDI T30	30	100	9009680000
SDI T35	40	150	9009690000

SKI

VDE insulated hexagon socket wrench, SKI SoftFinish grip



SKI 5.0 x 125	5	125	9009000000
SKI 5.5 x 125	5,5	125	9008990000
SKI 6.0 x 125	6	125	9008980000
SKI 7.0 x 125	7	125	9008970000
SKI 8.0 x 125	8	125	9008960000
SKI 9.0 x 125	9	125	9008950000
SKI 10.0 x 125	10	125	9008940000
SKI 11.0 x 125	11	125	9008930000
SKI 13.0 x 125	13	125	9008920000

Information

Uninsulated screwdriver

Weidmüller SoftFinish screwdriver for general uses, blade made from fully hardened, high-alloy chromium-vanadium-molybdenum steel, matt chrome finish.



SDI S

Slotted screwdriver with round blade SD DIN 5265, ISO 2380/2, output to DIN 5264, ISO 2380/1, ChromTop tip, SoftFinish grip



Type	Size / SW	A	B	C	Order No.
	SD 0.4 x 2.0 x 60	0.4	2.0	60	9037160000
	SD 0.4 x 2.5 x 75	0.4	2.5	75	9009030000
	SD 0.5 x 3.0 x 80	0.5	3.0	80	9008320000
	SD 0.6 x 3.5 x 100	0.6	3.5	100	9008330000
	SD 0.6 x 3.5 x 200	0.6	3.5	200	9010110000
	SD 0.8 x 4.0 x 100	0.8	4.0	100	9008340000
	SD 1.2 x 6.5 x 150	1.2	6.5	150	9009010000
	SD 0.8 x 4.5 x 125	0.8	4.5	125	9009020000
	SD 1.0 x 5.5 x 150	1.0	5.5	150	9008350000

SDK PH

Crosshead screwdriver, Phillips, SDK PH DIN 5262, ISO 8764/2-PH, output to ISO 8764-PH, ChromTop tip, SoftFinish grip



	SDK PH0	0	60	9008470000
	SDK PH1	1	80	9008480000
	SDK PH2	2	100	9008490000
	SDK PH3	3	150	9008500000

SDK PZ

Crosshead screwdriver, Pozidriv, SDK PZ DIN 5262, ISO 8764/2-PZ, output to ISO 8764/1-PZ, ChromTop tip, SoftFinish grip



	SDK PZ0	0	60	9008520000
	SDK PZ1	1	80	9008530000
	SDK PZ2	2	100	9008540000
	SDK PZ3	3	150	9008550000

SD TH

Torx® TH screwdriver with hole in tip of blade (tamper-resistant), SD TH for screwing Torx® and Torx®-TH security screws (pin in centre of Torx recess), ChromTop tip, SoftFinish grip



	SD TH8	8	60	9009190000
	SD TH10	10	80	9009180000
	SD TH15	15	80	9009170000
	SD TH20	20	100	9009160000
	SD TH25	25	100	9009150000
	SD TH30	30	115	9009140000

SK

Hexagon socket wrench SK DIN 3125, output to DIN 3125, SoftFinish grip



	SK 5.5 x 125	5.5	125	9009120000
	SK 6.0 x 125	6	125	9009110000
	SK 7.0 x 125	7	125	9009100000
	SK 8.0 x 125	8	125	9009090000
	SK 9.0 x 125	9	125	9009080000
	SK 10.0 x 125	10	125	9009070000
	SK 11.0 x 125	11	125	9009060000
	SK 12.0 x 125	12	125	9009050000
	SK 13.0 x 125	13	125	9009040000

Information

Tools

Wrench set Weidmüller

Allen key made from fully hardened, high-alloy chromium-vanadium-steel, to DIN ISO 2936 L (DIN 911), surface high-quality refined.



SK WSD S

9-piece offset screwdriver set in Prostar holder, with MagicRing: holds standard screws (size 3 and larger) in any position thanks to spring steel ring, with ball point: for working at angles up to 25°.



Type	Size / SW	A	B	C	Order No.
	1.5				
	2				
	2.5				
	3				
	4				
	5				
	6				
	8				
	10				
SK WSD-S 1.5-10.0					9008850000

SK S

7-piece Allen key set



	2				
	2.5				
	3				
	4				
	5				
	8				
	6				
SKS 2.0-8.0					9008860000

SK S

7-piece Allen key set with MagicRing and ball point: holds standard screws (size 3 and larger) in any position thanks to spring steel ring, with ball point: for working at angles up to 25°.



	2				
	2.5				
	3				
	4				
	5				
	6				
	8				
SKS 2.0-8.0 MR					9008870000

TH S

8-piece Torx®-TH screwdriver set with hole in the blade point (tamper-proof), for screwing Torx® and Torx®-TH tamper-proof screws (centre pin in profile)



	9				
	10				
	15				
	20				
	25				
	27				
	30				
	40				
TH-S 9-40					9008880000

Information

DMS manual / DMSI manual

Torque screwdrivers with insulation up to 1000 V (VDE)

• DMSI manual

The “DMSI manual” with integral window torque scale combined with a Weidmüller 1000 V insulated (VDE) interchangeable blade ensures controlled tightening of screws plus reliability in electrical applications.

Every 1000 V insulated handle (VDE) and blade (VDE) is tested and provides the necessary safety up to 1000 V AC/1500 V DC.



Torque screwdrivers

• DMS manual

This is a versatile tool suitable for a variety of jobs, with integral scale for easy reading of the torque value plus a Weidmüller interchangeable blade.



Each model is available with two torque ranges:

- 0.5 to 1.7 Nm
- 2.0 to 8.0 Nm
- setting tool included

Advantages:

- Compact and especially lightweight design
- Torque set with special tool (included) to ensure the right setting
- Ergonomic handle size to match the torque range
- Every tool checked and given an ID No., 100% quality control with verification and product reference
- Audible, unmistakable click upon reaching the torque, no unnecessary effort
- Interchangeable blade made from high-quality wear-resistant tool steel
- All tools comply with the accuracy stipulations of: EN ISO 6798, BS EN 26789, ASME B107.14M
- Operating accuracy: $\pm 6\%$ of set scale value



Setting tool

Uninsulated torque screwdriver



DMS manual

Torque-screwdriver
EN ISO 6798, BS EN 26789, ASME B107.14M



Type	Size / SW	A	B	C	Order No.
DMS MANUELL 0.5-1.7	0.5 - 1.7 Nm				9918370000
DMS MANUELL 2.0-8.0	2.0 - 8.0 Nm				9918380000

WK K S

Interchangeable blades for torque-screwdriver
output according to DIN 5264, ISO 2380/1



WK S 0.4 x 2.5	max. 0.6 Nm	0.4	2.5	175	9918520000
WK S 0.5 x 3.0	max. 0.6 Nm	0.5	3.0	175	9918530000
WK S 0.6 x 3.5	max. 1.1 Nm	0.6	3.5	175	9918540000
WK S 0.8 x 4.0	max. 2.5 Nm	0.8	4.0	175	9918550000
WK S 1.0 x 5.5	max. 3.8 Nm	1.0	5.5	175	9918560000

G

WK K PZ

Interchangeable blades for torque-screwdriver
output according to DIN 5260-PZ, ISO 8764/1-PZ



WK K PZ0	max. 0.9 Nm			175	9918600000
WK K PZ1	max. 3.8 Nm			175	9918610000
WK K PZ2	max. 5.5 Nm			175	9918620000

WK K PH

Interchangeable blades for torque-screwdriver
output according to DIN 5260-PH, ISO 8764/1-PH



WK K PH0	max. 0.9 Nm			175	9918570000
WK K PH1	max. 3.8 Nm			175	9918580000
WK K PH2	max. 5.5 Nm			175	9918590000

Information

VDE insulated torque screwdriver

VDE insulated torque screwdriver Weidmüller SoftFinish electric for work on live parts up to 1000 Vac and 1500 Vdc, DIN EN 60900, IEC 900. GS symbol, every one tested.



DMSI manual

VDE insulated torque-screwdriver
EN ISO 6798, BS EN 26789, ASME B107.14M



Type	Size / SW	A	B	C	Order No.
DMSI MANUELL 0.5-1.7	0.5 - 1.7 Nm				9918390000
DMSI MANUELL 2.0-8.0	2.0 - 8.0 Nm				9918400000

WK SI

VDE insulated interchangeable blades for VDE insulated torque-screwdriver
output according to DIN 5264, ISO 2380/1



WK SI 0.4 x 2.5	max. 0.6 Nm	0.4	2.5	175	9918410000
WK SI 0.5 x 3.0	max. 0.6 Nm	0.5	3.0	175	9918420000
WK SI 0.6 x 3.5	max. 1.1 Nm	0.6	3.5	175	9918430000
WK SI 0.8 x 4.0	max. 2.5 Nm	0.8	4.0	175	9918440000
WK SI 1.0 x 5.5	max. 3.8 Nm	1.0	5.5	175	9918450000

WK IK PH

VDE insulated interchangeable blades for VDE insulated torque-screwdriver
output according to DIN 5260-PH, ISO 8764/1-PH



WK IK PH0	max. 0.9 Nm			175	9918460000
WK IK PH1	max. 3.8 Nm			175	9918470000
WK IK PH2	max. 5.5 Nm			175	9918480000

WK IK PZ

VDE insulated interchangeable blades for VDE insulated torque-screwdriver
output according to DIN 5260-PZ, ISO 8764/1-PZ



WK IK PZ0	max. 0.9 Nm			175	9918490000
WK IK PZ1	max. 3.8 Nm			175	9918500000
WK IK PZ2	max. 5.5 Nm			175	9918510000

Information

G

Tools

IS 4, IS 6, IS 8

Allen key



- Allen key, with spigot
- Surface nickel-plated
 - Made from hardened chromium-vanadium steel
 - According to DIN 6911
 - Designed for screws to DIN 6912

IS 2 KG; IS 3 KG; IS 4 KG

Hexagon screwdriver



- Hexagon screwdriver with cross-grip made from high-quality plastics
- Surface nickel-plated
 - Made from hardened chromium-vanadium steel
 - According to DIN 6911
 - Designed for screws to DIN 6912

BIT E6.3Z, SDIZ

for fixing sockets



- Bits and screwdrivers with shouldered blades for fixing sockets to the Weidmüller range of modular terminals.
- No damage to walls around contacts
 - Made from hardened chrome-vanadium steel
 - Suitable for all Weidmüller sockets
 - Bit holders available for E6.3
 - DIN 3126 for bits and DIN EN 60900, IEC 900 for screwdrivers

G

Technical data

Ordering data

Type	Qty.	Order No.
IS 4	1	0485100000
IS 6	1	0407900000
IS 8	1	0235000000

Technical data

Ordering data

Type	Qty.	Order No.
IS 2 KG	1	1806630000
IS 3 KG	1	1806650000
IS 4 KG	1	1806660000

Technical data

Ordering data

Type	Blade	Order No.
BIT E6.3Z	0.8 x 4.0 x 39	9025590000
BIT E6.3Z	0.6 x 3.5 x 39	9025570000
SDIZ	0.8 x 4.0	9008460000
SDIZ	0.3 x 3.5	9008450000

Tools

Tools for insulated cable lugs

Tool	Order No.	Type of contact		
		0.5 - 1.5	1.5 - 2.5	4.0 - 6.0
CTI 6	9006120000	•	•	•
CTI 6 S	9006210000	•	•	•
HTI 15	9014400000	•	•	
Station		red	blue	yellow

Crimping tools for ferrules

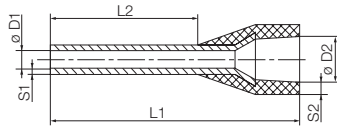
Ferrule mm ²	PZ 1.5	stripax [®] plus 2.5	PZ 3	PZ 4	PZ 6 roto	PZ 6 HEX	PZ 6/5	PZ 16	PZ 50
	Order No.	Order No.	Order No.	Order No.	Order No.	Order No.	Order No.	Order No.	Order No.
H 0.25	•				•	•	•		
H 0.34	•				•	•	•		
H 0.5	•	• ¹	•	•	•	•	•		
H 0.75	•	• ¹	•	•	•	•	•		
H 1.0	•	• ¹	•	•	•	•	•		
H 1.5	•	• ¹	•	•	•	•	•		
H 2.5		• ¹	•	•	•	•	•		
H 4.0			•	•	•	•	•		
H 6.0			•		•	•		•	
H 10.0								•	
H 16.0								•	
H 25.0									•
H 35.0									•
H 50.0									•

•¹ = ferrules in strip form only

Twin wire end ferrules are to be crimped according to the following table:

Tool	Order No.	Ferrules								
		H 0.5	H 0.75	H 1.0	H 1.5	H 2.5	H 4.0	H 6.0	H 10.0	H 16.0
PZ 1.5	9005990000	•	•							
PZ 3	0567300000	•	•	•	•	•				
PZ 4	9012500000	•	•	•	•	•				
PZ 6 roto	9014350000	•	•	•	•	•	•			
PZ 6/5	9011460000	•	•	•	•	•	•			
Station		1.5 mm ²	1.5 mm ²	2.5 mm ²	2.5 mm ²	4 mm ²	6 mm ²			
PZ ZH 16	9013600000							•	•	•

Wire end ferrules with plastic collar



onlinecomponents.com

- Polypropylene conical cable entry
- Heat-resistant up to 105 °C
- Cable entry made from a not readily flammable material on request

For conductors from 0.14 to 150 mm² (AWG 26-300MCM)
Tin-plated copper
Dimensional tolerances to DIN 46228 part 4

Weidmüller colour code

packed loose

Ordering data

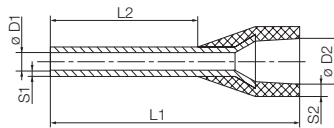
Type	ø mm ²	AWG	L1	L2	D1	D2	S1	S2	Stripping length	Colour	Qty.	Order No.
H0.25/10	0.25	24	10.0	6.0	0.8	1.8	0.15	0.25	8.0	light blue	500	9025740000
H0.25/12	0.25	24	12.0	8.0	0.8	1.8	0.15	0.25	10.0	light blue	500	9025760000
H0.34/10	0.34	22	10.0	6.0	0.8	2.0	0.15	0.25	8.0	turquoise	500	9025750000
H0.34/12	0.34	22	12.0	8.0	0.8	2.0	0.15	0.25	10.0	turquoise	500	9025770000
H0.5/12	0.50	20	12.0	6.0	1.0	2.6	0.15	0.25	8.0	orange	500	0409500000
H0.5/14	0.50	20	14.0	8.0	1.0	2.6	0.15	0.25	10.0	orange	500	0690700000
H0.5/16	0.50	20	16.0	10.0	1.0	2.6	0.15	0.25	12.0	orange	500	9025870000
H0.75/12	0.75	18	12.0	6.0	1.2	2.8	0.15	0.25	8.0	white	500	0409600000
H0.75/14	0.75	18	14.0	8.0	1.2	2.8	0.15	0.25	10.0	white	500	0462900000
H0.75/16	0.75	18	16.0	10.0	1.2	2.8	0.15	0.25	12.0	white	500	9025860000
H0.75/18	0.75	18	18.0	12.0	1.2	2.8	0.15	0.25	14.0	white	500	9025910000
H1.0/12	1.00	17	12.0	6.0	1.4	3.0	0.15	0.25	8.0	yellow	500	0409700000
H1.0/14	1.00	17	14.0	8.0	1.4	3.0	0.15	0.25	10.0	yellow	500	0463000000
H1.0/16	1.00	17	16.0	10.0	1.4	3.0	0.15	0.25	12.0	yellow	500	9025950000
H1.0/18	1.00	17	18.0	12.0	1.4	3.0	0.15	0.25	15.0	yellow	500	9025930000
H1.5/14	1.50	16	14.0	8.0	1.7	3.5	0.15	0.25	10.0	red	500	0463100000
H1.5/16	1.50	16	16.0	10.0	1.7	3.5	0.15	0.25	12.0	red	500	0635100000
H1.5/24	1.50	16	24.0	18.0	1.7	3.5	0.15	0.25	20.0	red	500	0565600000
H2.5/14D	2.50	14	14.0	8.0	2.2	4.2	0.15	0.25	10.0	blue	500	9019160000
H2.5/18D	2.50	14	18.0	12.0	2.2	4.2	0.15	0.25	14.0	blue	500	9019170000
H2.5/24D	2.50	14	24.0	18.0	2.2	4.2	0.15	0.25	20.0	blue	500	9019180000
H4.0/17D	4.00	12	17.0	10.0	2.8	4.8	0.2	0.3	12.0	grey	500	9019190000
H4.0/20D	4.00	12	20.0	12.0	2.8	4.8	0.2	0.3	14.0	grey	500	9019200000
H4.0/26D	4.00	12	26.0	18.0	2.8	4.8	0.2	0.3	20.0	grey	100	9019210000
H6.0/20	6.00	10	20.0	12.0	3.5	6.3	0.2	0.3	14.0	black	100	0533500000
H6.0/26	6.00	10	26.0	18.0	3.5	6.3	0.2	0.3	20.0	black	100	0565700000
H10.0/22	10.00	7	22.0	12.0	4.5	7.6	0.2	0.4	15.0	ivory	100	0534200000
H10.0/28	10.00	7	28.0	18.0	4.5	7.6	0.2	0.4	21.0	ivory	100	0565800000
H16.0/24	16.00	6	24.0	12.0	5.8	8.8	0.2	0.4	15.0	green	100	0565900000
H16.0/28	16.00	6	28.0	18.0	5.8	8.8	0.2	0.4	21.0	green	100	0566000000
H25.0/30	25.00	3	30.0	16.0	7.3	11.2	0.2	0.4	18.0	brown	50	0317000000
H25.0/36	25.00	3	36.0	22.0	7.3	11.2	0.2	0.4	24.0	brown	50	0317100000
H35.0/30	35.00	2	30.0	16.0	8.3	12.7	0.2	0.4	19.0	beige	50	0317200000
H35.0/39	35.00	2	39.0	25.0	8.3	12.7	0.2	0.4	28.0	beige	50	0317300000
H50.0/36	50.00	1	36.0	20.0	10.3	15.0	0.3	0.5	26.0	olive green	50	0444200000
H70.0/40	70.00	2/0	37.0	20.0	12.7	16.0	0.35	0.6	26.0	yellow	25	9028200000
H95.0/44	95.00	3/0	44.0	25.0	14.7	18.0	0.35	0.6	31.0	red	25	9028210000
H120.0/50	120.00	4/0	50.0	30.0	16.5	21.0	0.5	0.7	36.0	blue	25	9028220000
H150.0/54	150.00	300 MCM	54.0	32.0	18.5	23.5	0.5	0.75	38.0	yellow	25	9028230000

Weidmüller colour code

lin multipack bag

Ordering data

Type	ø mm ²	AWG	L1	L2	D1	D2	S1	S2	Stripping length	Colour	Qty.	Order No.
H0.14/10	0.14	26	10.0	6.0	0.6	1.5	0.15	0.25	8.0	grey	500	9005180000
H0.14/12	0.14	26	12.0	8.0	0.6	1.5	0.15	0.25	10.0	grey	500	9028240000
H0.25/10	0.25	24	10.0	6.0	0.8	1.8	0.15	0.25	8.0	light blue	500	9026050000
H0.25/12	0.25	24	12.0	8.0	0.8	1.8	0.15	0.25	10.0	light blue	500	9025780000
H0.34/10	0.34	22	10.0	6.0	0.8	2.0	0.15	0.25	8.0	turquoise	500	9026030000
H0.34/12	0.34	22	12.0	8.0	0.8	2.0	0.15	0.25	10.0	turquoise	500	9025790000
H0.5/10	0.50	20	10.0	6.0	1.0	2.6	0.15	0.25	8.0	orange	500	9028260000
H0.5/14	0.50	20	14.0	8.0	1.0	2.6	0.15	0.25	10.0	orange	500	9026060000
H0.5/16	0.50	20	16.0	10.0	1.0	2.6	0.15	0.25	12.0	orange	500	9028270000
H0.75/12	0.75	18	12.0	6.0	1.2	2.8	0.15	0.25	8.0	white	500	9028280000
H0.75/14	0.75	18	14.0	8.0	1.2	2.8	0.15	0.25	10.0	white	500	9026070000
H0.75/16	0.75	18	16.0	10.0	1.2	2.8	0.15	0.25	12.0	white	500	9028290000
H0.75/18	0.75	18	18.0	12.0	1.2	2.8	0.15	0.25	14.0	white	500	9028300000
H1.0/12	1.00	17	12.0	6.0	1.4	3.0	0.15	0.25	8.0	yellow	500	9028310000
H1.0/14	1.00	17	14.0	8.0	1.4	3.0	0.15	0.25	10.0	yellow	500	9026080000
H1.0/16	1.00	17	16.0	10.0	1.4	3.0	0.15	0.25	12.0	yellow	500	9028320000
H1.0/18	1.00	17	18.0	12.0	1.4	3.0	0.15	0.25	15.0	yellow	500	9028340000
H1.5/14	1.50	16	14.0	8.0	1.7	3.5	0.15	0.25	10.0	red	500	9026090000
H1.5/16	1.50	16	16.0	10.0	1.7	3.5	0.15	0.25	12.0	red	500	9028350000
H2.5/14	2.50	14	14.0	8.0	2.2	4.2	0.15	0.25	10.0	blue	500	9026100000
H4.0/17	4.00	12	17.0	10.0	2.8	4.8	0.2	0.3	12.0	grey	250	9026010000



- Polypropylene conical cable entry
- Heat-resistant up to 105 °C
- Cable entry made from a not readily flammable material on request

For conductors from 0.5 to 2.5 mm² (AWG 22-14)
Tin-plated copper
Dimensional tolerances to DIN 46228 part 4

Weidmüller colour code

Strip of wire end ferrules

Ordering data

Type	ø mm ²	AWG	L1	L2	D1	D2	S1	S2	Stripping length	Colour	Qty.	Order No.
H0.5/14	0.50	20	14.0	8.0	1.0	2.6	0.15	0.25	10.0	orange	500	9004270000
H0.75/14	0.75	18	14.0	8.0	1.2	2.8	0.15	0.25	10.0	white	500	9004290000
H1.0/14	1.00	17	14.0	8.0	1.4	3.0	0.15	0.25	10.0	yellow	500	9004320000
H1.5/14	1.50	16	14.0	8.0	1.7	3.2	0.15	0.25	10.0	red	500	9004340000
H2.5/14D	2.50	14	14.0	8.0	2.2	4.0	0.15	0.25	11.0	blue	500	9004360000

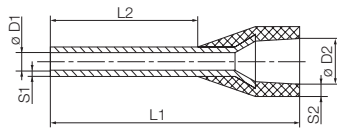
Weidmüller colour code

Reel of wire end ferrules

Ordering data

Type	ø mm ²	AWG	L1	L2	D1	D2	S1	S2	Stripping length	Colour	Qty.	Order No.
H0.34/12	0.34	22	12.0	8.0	0.8	2.0	0.15	0.25	10.0	turquoise	5000	9004390000
H0.5/14	0.50	20	14.0	8.0	1.0	2.6	0.15	0.25	10.0	orange	5000	9005810000
H0.75/14	0.75	18	14.0	8.0	1.2	2.8	0.15	0.25	10.0	white	5000	9005820000
H1.0/14	1.00	17	14.0	8.0	1.4	3.0	0.15	0.25	11.0	yellow	5000	9005830000
H1.5/14	1.50	16	14.0	8.0	1.7	3.2	0.15	0.25	10.0	red	5000	9005840000
H2.5/14D	2.50	14	14.0	8.0	2.2	4.0	0.15	0.25	11.0	blue	3000	9005850000

Wire end ferrules with plastic collar



onlinecomponents.com

- Polypropylene conical cable entry
- Heat-resistant up to 105 °C
- Cable entry made from a not readily flammable material on request

For conductors from 0.5 to 50 mm² (AWG 20-1)
Tin-plated copper
Dimensional tolerances to DIN 46228 part 4

DIN colour code

packed loose

Ordering data

Type	ø mm ²	AWG	L1	L2	D1	D2	S1	S2	Stripping length	Colour	VG*	Qty.	Order No.
H0.5/12D	0.50	20	12.0	6.0	1.0	2.6	0.15	0.25	8.0	○ white	T 20A 001 A	500	9019000000
H0.5/14D	0.50	20	14.0	8.0	1.0	2.6	0.15	0.25	10.0	○ white	T 20A 002 A	500	9019010000
H0.5/16D	0.50	20	16.0	10.0	1.0	2.6	0.15	0.25	12.0	○ white	T 20A 003 A	500	9019020000
H0.75/12D	0.75	18	12.0	6.0	1.2	2.8	0.15	0.25	8.0	● grey	T 20A 004 A	500	9019030000
H0.75/14D	0.75	18	14.0	8.0	1.2	2.8	0.15	0.25	10.0	● grey	T 20A 005 A	500	9019040000
H0.75/16D	0.75	18	16.0	10.0	1.2	2.8	0.15	0.25	12.0	● grey	T 20A 006 A	500	9019050000
H0.75/18D	0.75	18	18.0	12.0	1.2	2.8	0.15	0.25	14.0	● grey	T 20A 007 A	500	9019060000
H1.0/12D	1.00	17	12.0	6.0	1.4	3.0	0.15	0.25	8.0	● red	T 20A 008 A	500	9019070000
H1.0/14D	1.00	17	14.0	8.0	1.4	3.0	0.15	0.25	10.0	● red	T 20A 009 A	500	9019080000
H1.0/16D	1.00	17	16.0	10.0	1.4	3.0	0.15	0.25	12.0	● red	T 20A 010 A	500	9019100000
H1.0/18D	1.00	17	18.0	12.0	1.4	3.0	0.15	0.25	15.0	● red	T 20A 011 A	500	9019110000
H1.5/14D	1.50	16	14.0	8.0	1.7	3.5	0.15	0.25	10.0	● black	T 20A 012 A	500	9019120000
H1.5/16D	1.50	16	16.0	10.0	1.7	3.5	0.15	0.25	12.0	● black	T 20A 013 A	500	9019130000
H1.5/18D	1.50	16	18.0	12.0	1.7	3.5	0.15	0.25	15.0	● black	T 20A 014 A	500	9019140000
H1.5/24D	1.50	16	24.0	18.0	1.7	3.5	0.15	0.25	20.0	● black	T 20A 015 A	500	9019150000
H2.5/14D	2.50	14	14.0	8.0	2.2	4.2	0.15	0.25	10.0	● blue	T 20A 016 A	500	9019160000
H2.5/18D	2.50	14	18.0	12.0	2.2	4.2	0.15	0.25	14.0	● blue	T 20A 017 A	500	9019170000
H2.5/24D	2.50	14	24.0	18.0	2.2	4.2	0.15	0.25	20.0	● blue	T 20A 018 A	500	9019180000
H4.0/17D	4.00	12	17.0	10.0	2.8	4.8	0.2	0.3	12.0	● grey	T 20A 019 A	500	9019190000
H4.0/20D	4.00	12	20.0	12.0	2.8	4.8	0.2	0.3	14.0	● grey	T 20A 020 A	500	9019200000
H4.0/26D	4.00	12	26.0	18.0	2.8	4.8	0.2	0.3	20.0	● grey	T 20A 021 A	100	9019210000
H6.0/20D	6.00	10	20.0	12.0	3.5	6.3	0.2	0.3	14.0	● yellow	T 20A 022 A	100	9019220000
H6.0/26D	6.00	10	26.0	18.0	3.5	6.3	0.2	0.3	20.0	● yellow	T 20A 023 A	100	9019230000
H10.0/22D	10.00	7	22.0	12.0	4.5	7.6	0.2	0.4	15.0	● red	T 20A 024 A	100	9019240000
H10.0/28D	10.00	7	28.0	18.0	4.5	7.6	0.2	0.4	21.0	● red	T 20A 025 A	100	9019250000
H16.0/24D	16.00	6	24.0	12.0	5.8	8.8	0.2	0.4	15.0	● blue	T 20A 026 A	100	9019260000
H16.0/28D	16.00	6	28.0	18.0	5.8	8.8	0.2	0.4	21.0	● blue	T 20A 027 A	100	9019270000
H25.0/30D	25.00	3	30.0	16.0	7.3	11.2	0.2	0.4	18.0	● yellow	T 20A 028 A	50	9019280000
H25.0/36D	25.00	3	36.0	22.0	7.3	11.2	0.2	0.4	24.0	● yellow	T 20A 030 A	50	9019300000
H35.0/30D	35.00	2	30.0	18.0	8.3	12.7	0.2	0.4	21.0	● red	T 20A 032 A	50	9019320000
H35.0/30D	35.00	2	30.0	16.0	8.3	12.7	0.2	0.4	19.0	● red	T 20A 031 A	50	9019310000
H35.0/39D	35.00	2	39.0	25.0	8.3	12.7	0.2	0.4	28.0	● red	T 20A 033 A	50	9019330000
H50.0/36D	50.00	1	36.0	20.0	10.3	15.0	0.3	0.5	26.0	● blue	T 20A 034 A	50	9019340000
H50.0/40D	50.00	1	40.0	25.0	10.3	15.0	0.3	0.5	31.0	● blue	T 20A 035 A	50	9019350000

DIN colour code

lin multipack bag

Ordering data

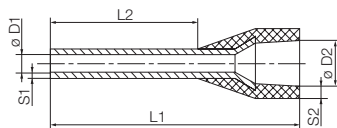
Type	ø mm ²	AWG	L1	L2	D1	D2	S1	S2	Stripping length	Colour	VG*	Qty.	Order No.
H0.5/14D	0.50	20	14.0	8.0	1.0	2.6	0.15	0.25	10.0	○ white	T 20A 002 A	500	9019400000
H0.75/14D	0.75	18	14.0	8.0	1.2	2.8	0.15	0.25	10.0	● grey	T 20A 005 A	500	9019410000
H1.0/14D	1.00	17	14.0	8.0	1.4	3.0	0.15	0.25	10.0	● red	T 20A 009 A	500	9019420000
H1.5/14D	1.50	16	14.0	8.0	1.7	3.5	0.15	0.25	10.0	● black	T 20A 012 A	500	9019430000
H1.5/24D	1.50	16	24.0	18.0	1.7	3.5	0.15	0.25	20.0	● black	T 20A 015 A	500	9004140000
H2.5/14	2.50	14	14.0	8.0	2.2	4.2	0.15	0.25	10.0	● blue		500	9026100000
H4.0/17	4.00	12	17.0	10.0	2.8	4.8	0.2	0.3	12.0	● grey		250	9026010000

DIN colour code

Strip of wire end ferrules

Ordering data

Type	ø mm ²	AWG	L1	L2	D1	D2	S1	S2	Stripping length	Colour	VG*	Qty.	Order No.
H0.5/14D	0.50	20	14.0	8.0	1.0	2.6	0.15	0.25	10.0	○ white	T 20A 002 A	500	9004280000
H0.75/14D	0.75	18	14.0	8.0	1.2	2.8	0.15	0.25	10.0	● grey	T 20A 005 A	500	9004300000
H1.0/14D	1.00	17	14.0	8.0	1.4	3.0	0.15	0.25	10.0	● red	T 20A 009 A	500	9004330000
H1.5/14D	1.50	16	14.0	8.0	1.7	3.2	0.15	0.25	10.0	● black	T 20A 012 A	500	9004350000
H2.5/14D	2.50	14	14.0	8.0	2.2	4.0	0.15	0.25	11.0	● blue	T 20A 016 A	500	9004360000



- Polypropylene conical cable entry
- Heat-resistant up to 105 °C
- Cable entry made from a not readily flammable material on request

For conductors from 0.5 to 2.5 mm² (AWG 20-14)
 Tin-plated copper
 Dimensional tolerances to DIN 46228 part 4

DIN colour code

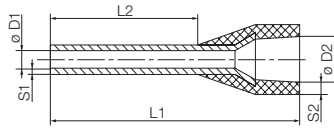
Reel of wire end ferrules

Ordering data

Type	ø mm ²	AWG	L1	L2	D1	D2	S1	S2	Stripping length	Colour	VG*	Qty.	Order No.
H0.5/14D	0.50	20	14.0	8.0	1.0	2.6	0.15	0.25	10.0	○ white		5000	9005860000
H0.75/14	0.75	18	14.0	8.0	1.2	2.8	0.15	0.25	10.0	● grey		5000	9005870000
H1.0/14D	1.00	17	14.0	8.0	1.4	3.0	0.15	0.25	11.0	● red		5000	9005880000
H1.5/14D	1.50	16	14.0	8.0	1.7	3.2	0.15	0.25	10.0	● black		5000	9005890000
H2.5/14D	2.50	14	14.0	8.0	2.2	4.0	0.15	0.25	11.0	● blue		3000	9005850000

onlinecomponents.com

Wire end ferrules with plastic collar



onlinecomponents.com

- Polypropylene conical cable entry
- Heat-resistant up to 105 °C
- Cable entry made from a not readily flammable material on request

For conductors from 0.14 to 25 mm² (AWG 26-3)
Tin-plated copper
Dimensional tolerances to DIN 46228 part 4

other colour code

packed loose

Ordering data

Type	ø mm ²	AWG	L1	L2	D1	D2	S1	S2	Stripping length	Colour	Qty.	Order No.
H0.25/10T	0.25	24	10.0	6.0	0.8	1.8	0.15	0.25	8.0	● yellow	500	9021010000
H0.25/12T	0.25	24	12.0	8.0	0.8	1.8	0.15	0.25	10.0	● yellow	500	9021020000
H0.5/12D	0.50	20	12.0	6.0	1.0	2.6	0.15	0.25	8.0	○ white	500	9019000000
H0.5/14D	0.50	20	14.0	8.0	1.0	2.6	0.15	0.25	10.0	○ white	500	9019010000
H0.5/16D	0.50	20	16.0	10.0	1.0	2.6	0.15	0.25	12.0	○ white	500	9019020000
H0.75/12T	0.75	18	12.0	6.0	1.2	2.8	0.15	0.25	8.0	● light blue	500	9021030000
H0.75/14	0.75	18	14.0	8.0	1.2	2.8	0.15	0.25	10.0	● light blue	500	9021040000
H0.75/16T	0.75	18	16.0	10.0	1.2	2.8	0.15	0.25	12.0	● light blue	500	9021050000
H0.75/18T	0.75	18	18.0	12.0	1.2	2.8	0.15	0.25	14.0	● light blue	500	9021060000
H1.0/12D	1.00	17	12.0	6.0	1.4	3.0	0.15	0.25	8.0	● red	500	9019070000
H1.0/14D	1.00	17	14.0	8.0	1.4	3.0	0.15	0.25	10.0	● red	500	9019080000
H1.0/16D	1.00	17	16.0	10.0	1.4	3.0	0.15	0.25	12.0	● red	500	9019100000
H1.0/18D	1.00	17	18.0	12.0	1.4	3.0	0.15	0.25	15.0	● red	500	9019110000
H1.5/14D	1.50	16	14.0	8.0	1.7	3.5	0.15	0.25	10.0	● black	500	9019120000
H1.5/16D	1.50	16	16.0	10.0	1.7	3.5	0.15	0.25	12.0	● black	500	9019130000
H1.5/18D	1.50	16	18.0	12.0	1.7	3.5	0.15	0.25	15.0	● black	500	9019140000
H1.5/24D	1.50	16	24.0	18.0	1.7	3.5	0.15	0.25	20.0	● black	500	9019150000
H2.5/14T	2.50	14	14.0	8.0	2.2	4.2	0.15	0.25	10.0	● grey	500	9021070000
H2.5/18T	2.50	14	18.0	12.0	2.2	4.2	0.15	0.25	14.0	● grey	500	9021080000
H2.5/24T	2.50	14	24.0	18.0	2.2	4.2	0.15	0.25	20.0	● grey	500	9021090000
H4.0/17T	4.00	12	17.0	10.0	2.8	4.8	0.2	0.3	12.0	● orange	500	9021100000
H4.0/20T	4.00	12	20.0	12.0	2.8	4.8	0.2	0.3	14.0	● orange	500	9021110000
H4.0/26T	4.00	12	26.0	18.0	2.8	4.8	0.2	0.3	20.0	● orange	100	9021120000
H6.0/20T	6.00	10	20.0	12.0	3.5	6.3	0.2	0.3	14.0	● green	100	9021130000
H6.0/26T	6.00	10	26.0	18.0	3.5	6.3	0.2	0.3	20.0	● green	100	9021140000
H10.0/22T	10.00	7	22.0	12.0	4.5	7.6	0.2	0.4	15.0	● brown	100	9021150000
H10.0/28T	10.00	7	28.0	18.0	4.5	7.6	0.2	0.4	21.0	● brown	100	9021160000
H16.0/24T	16.00	6	24.0	12.0	5.8	8.8	0.2	0.4	15.0	○ white	100	9021170000
H16.0/28T	16.00	6	28.0	18.0	5.8	8.8	0.2	0.4	21.0	○ white	100	9021180000
H25.0/30T	25.00	3	30.0	16.0	7.3	11.2	0.2	0.4	18.0	● black	50	9021190000
H25.0/36T	25.00	3	36.0	22.0	7.3	11.2	0.2	0.4	24.0	● black	50	9021200000

other colour code

lin multipack bag

Ordering data

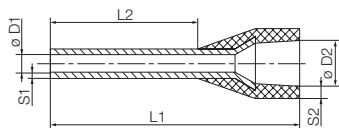
Type	ø mm ²	AWG	L1	L2	D1	D2	S1	S2	Stripping length	Colour	Qty.	Order No.
H0.14/10T	0.14	26	10.0	6.0	0.6	1.5	0.15	0.25	8.0	● brown	500	9028250000
H0.25/10T	0.25	24	10.0	6.0	0.8	1.8	0.15	0.25	8.0	● yellow	500	9021210000
H0.25/12T	0.25	24	12.0	8.0	0.8	1.8	0.15	0.25	10.0	● yellow	500	9021220000
H0.5/14D	0.50	20	14.0	8.0	1.0	2.6	0.15	0.25	10.0	○ white	500	9019400000
H0.75/14T	0.75	18	14.0	8.0	1.2	2.8	0.15	0.25	10.0	● light blue	500	9021230000
H1.0/14D	1.00	17	14.0	8.0	1.4	3.0	0.15	0.25	10.0	● red	500	9019420000
H1.5/14D	1.50	16	14.0	8.0	1.7	3.5	0.15	0.25	10.0	● black	500	9019430000
H1.5/24D	1.50	16	24.0	18.0	1.7	3.5	0.15	0.25	20.0	● black	500	9004140000
H2.5/14T	2.50	14	14.0	8.0	2.2	4.2	0.15	0.25	10.0	● grey	500	9021240000
H4.0/17T	4.00	12	17.0	10.0	2.8	4.8	0.2	0.3	12.0	● orange	250	9021250000

other colour code

Strip of wire end ferrules

Ordering data

Type	ø mm ²	AWG	L1	L2	D1	D2	S1	S2	Stripping length	Colour	Qty.	Order No.
H0.5/14D	0.50	20	14.0	8.0	1.0	2.6	0.15	0.25	10.0	○ white	500	9004280000
H0.75/14T	0.75	18	14.0	8.0	1.2	2.8	0.15	0.25	10.0	● light blue	500	9004310000
H1.0/14D	1.00	17	14.0	8.0	1.4	3.0	0.15	0.25	10.0	● red	500	9004330000
H1.5/14D	1.50	16	14.0	8.0	1.7	3.2	0.15	0.25	10.0	● black	500	9004350000
H2.5/14T	2.50	14	14.0	8.0	2.2	4.0	0.15	0.25	11.0	● grey	500	9004370000



- Polypropylene conical cable entry
- Heat-resistant up to 105 °C
- Cable entry made from a not readily flammable material on request

For conductors from 0.5 to 2.5 mm² (AWG 20-14)
 Tin-plated copper
 Dimensional tolerances to DIN 46228 part 4

other colour code

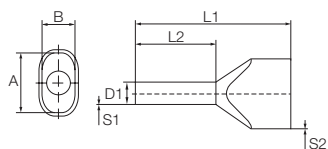
Reel of wire end ferrules

Ordering data

Type	ø mm ²	AWG	L1	L2	D1	D2	S1	S2	Stripping length	Colour	Qty.	Order No.
H0.5/14D	0.50	20	14.0	8.0	1.0	2.6	0.15	0.25	10.0	○ white	5000	9005860000
H0.75/14T	0.75	18	14.0	8.0	1.2	2.8	0.15	0.25	10.0	● light blue	5000	9005900000
H1.0/14D	1.00	17	14.0	8.0	1.4	3.0	0.15	0.25	11.0	● red	5000	9005880000
H1.5/14D	1.50	16	14.0	8.0	1.7	3.2	0.15	0.25	10.0	● black	5000	9005890000
H2.5/14T	2.50	14	14.0	8.0	2.2	4.0	0.15	0.25	11.0	● grey	3000	9005910000

onlinecomponents.com

Twin-wire end ferrules with plastic collar



onlinecomponents.com

- Polypropylene conical cable entry
- Heat-resistant up to 105 °C
- Cable entry made from a not readily flammable material on request

For conductors from 2 x 0,5-2 x 16 mm² (2 x AWG 20-2 x AWG 6)

Tin-plated copper

Dimensional tolerances to DIN 46228 part 4

Weidmüller colour code

packed loose

Ordering data

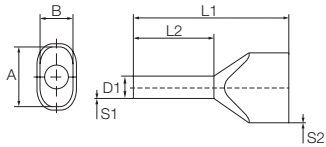
Type	ø mm ²	AWG	L1	L2	D1	D2	S1	S2	Stripping length	Colour	Qty.	Order No.
H0.5/15	0.50	20	15.0	8.0	1.4	0.15	0.3	11.0	● orange	500	9037200000	
H0.5/16.5	0.50	20	16.0	10.0	1.4	0.15	0.3	13.0	● orange	500	9037210000	
H0.5/18.5	0.50	20	19.0	12.0	1.4	0.15	0.3	15.0	● orange	500	9037220000	
H0.75/15	0.75	18	15.0	8.0	1.7	0.15	0.3	11.0	○ white	500	9037230000	
H0.75/17	0.75	18	17.0	10.0	1.7	0.15	0.3	13.0	○ white	500	9037240000	
H0.75/19S	0.75	18	19.0	12.0	1.4	0.15	0.3	21.0	○ white	500	9202820000	
H0.75/24.5	0.75	18	24.0	18.0	1.7	0.15	0.3	21.0	○ white	500	9037250000	
H1.0/15	1.00	17	15.0	8.0	2.0	0.15	0.3	12.0	● yellow	500	9037260000	
H1.0/15S	1.00	17	16.0	8.0	2.2	0.15	0.3	12.0	● yellow	500	9018690000	
H1.0/20	1.00	17	19.0	12.0	2.0	0.15	0.3	16.0	● yellow	500	9037270000	
H1.0/25.6	1.00	17	25.0	18.0	2.0	0.15	0.3	22.0	● yellow	500	9037280000	
H1.5/16	1.50	16	16.0	8.2	2.2	0.15	0.3	11.0	● red	500	9037290000	
H1.5/20	1.50	16	20.0	12.0	2.2	0.15	0.3	15.0	● red	500	9037300000	
H1.5/25.6	1.50	16	26.0	18.0	2.2	0.15	0.3	21.0	● red	100	9037310000	
H2.5/18.5D	2.50	14	19.0	10.0	2.8	0.15	0.4	13.0	● blue	500	9037500000	
H2.5/20.5D	2.50	14	21.0	12.0	2.8	0.15	0.4	15.0	● blue	100	9037510000	
H2.5/26.5D	2.50	14	27.0	18.0	2.8	0.15	0.4	21.0	● blue	100	9037520000	
H4.0/22D	4.00	12	22.0	12.0	3.5	0.2	0.5	15.0	● grey	100	9037530000	
H4.0/28D	4.00	12	28.0	18.0	3.5	0.2	0.5	21.0	● grey	100	9037540000	
H6.0/25	6.00	10	25.0	12.0	4.5	0.2	0.5	20.0	● black	100	9037320000	
H6.0/29	6.00	10	29.0	18.0	4.5	0.2	0.5	24.0	● black	100	9037330000	
H10.0/24S	10.00	7	24.0	12.0	6.5	0.2	0.5	17.0	● ivory	100	9018860000	
H10.0/26	10.00	7	24.0	12.0	5.8	0.2	0.5	17.0	● ivory	100	9037340000	
H10.0/30	10.00	7	30.0	18.0	5.8	0.2	0.5	23.0	● ivory	100	9037350000	
H10.0/30S	10.00	7	30.0	18.0	6.5	0.2	0.5	23.0	● ivory	100	9018870000	
H16.0/29	16.00	6	29.0	16.0	8.3	0.3	0.6	20.0	● green	50	9037360000	
H16.0/38	16.00	6	38.0	25.0	8.3	0.3	0.6	29.0	● green	50	9037370000	

Weidmüller colour code

lin multipack bag

Ordering data

Type	ø mm ²	AWG	L1	L2	D1	D2	S1	S2	Stripping length	Colour	Qty.	Order No.
H0.5/15	0.50	20	15.0	8.0	1.4	0.15	0.3	11.0	● orange	500	9004440000	
H0.75/15	0.75	18	15.0	8.0	1.7	0.15	0.3	11.0	○ white	500	9018510000	
H0.75/17	0.75	18	17.0	10.0	1.7	0.15	0.3	13.0	○ white	500	9004900000	
H1.0/15	1.00	17	15.0	8.0	2.0	0.15	0.3	12.0	● yellow	500	9018530000	
H1.0/15S	1.00	17	16.0	8.0	2.2	0.15	0.3	12.0	● yellow	500	9018650000	
H1.0/20	1.00	17	19.0	12.0	2.0	0.15	0.3	16.0	● yellow	500	9004910000	
H1.5/16	1.50	16	16.0	8.2	2.2	0.15	0.3	11.0	● red	500	9004410000	
H1.5/20	1.50	16	20.0	12.0	2.2	0.15	0.3	15.0	● red	500	9004920000	
H2.5/18.5D	2.50	14	19.0	10.0	2.8	0.15	0.4	13.0	● blue	250	9004430000	
H2.5/20.5D	2.50	14	21.0	12.0	2.8	0.15	0.4	15.0	● blue	250	9004740000	
H4.0/22D	4.00	12	22.0	12.0	3.5	0.2	0.5	15.0	● grey	100	9004730000	
H6.0/25	6.00	10	25.0	12.0	4.5	0.2	0.5	20.0	● black	100	9004930000	
H10.0/26	10.00	7	24.0	12.0	5.8	0.2	0.5	17.0	● ivory	100	9004940000	



- Polypropylene conical cable entry
- Heat-resistant up to 105 °C
- Cable entry made from a not readily flammable material on request

For conductors from 2 x 0,5-2 x 16 mm² (2 x AWG 20-2 x AWG 6)
 Tin-plated copper
 Dimensional tolerances to DIN 46228 part 4

DIN colour code

packed loose

Ordering data

Type	ø mm ²	AWG	L1	L2	D1	D2	S1	S2	Stripping length	Colour	Qty.	Order No.
H0.5/15D	0.50	20	15.0	8.0	1.4		0.15	0.3	11.0	○ white	500	9037380000
H0.5/16.5D	0.50	20	16.0	10.0	1.4		0.15	0.3	13.0	○ white	500	9037390000
H0.5/18.4D	0.50	20	19.0	12.0	1.4		0.15	0.3	15.0	○ white	500	9037400000
H0.75/15D	0.75	18	15.0	8.0	1.7		0.15	0.3	11.0	● grey	500	9037410000
H0.75/17D	0.75	18	17.0	10.0	1.7		0.15	0.3	13.0	● grey	500	9037420000
H0.75/19DS	0.75	18	19.0	12.0	1.4		0.15	0.3	21.0	● grey	500	9202830000
H0.75/24.5D	0.75	18	24.0	18.0	1.7		0.15	0.3	21.0	● grey	500	9037430000
H1.0/15D	1.00	17	16.0	8.0	2.2		0.15	0.3	12.0	● red	500	9037440000
H1.0/20D	1.00	17	19.0	12.0	2.0		0.15	0.3	16.0	● red	500	9037450000
H1.0/25.6D	1.00	17	25.0	18.0	2.0		0.15	0.3	22.0	● red	500	9037460000
H1.5/16D	1.50	16	16.0	8.0	2.2		0.15	0.3	11.0	● black	500	9037470000
H1.5/20D	1.50	16	20.0	12.0	2.2		0.15	0.3	15.0	● black	500	9037480000
H1.5/25.6D	1.50	16	26.0	18.0	2.2		0.15	0.3	21.0	● black	100	9037490000
H2.5/18.5D	2.50	14	19.0	10.0	2.8		0.15	0.4	13.0	● blue	500	9037500000
H2.5/20.5D	2.50	14	21.0	12.0	2.8		0.15	0.4	15.0	● blue	100	9037510000
H2.5/26.5D	2.50	14	27.0	18.0	2.8		0.15	0.4	21.0	● blue	100	9037520000
H4.0/22D	4.00	12	22.0	12.0	3.5		0.2	0.5	15.0	● grey	100	9037530000
H4.0/28D	4.00	12	28.0	18.0	3.5		0.2	0.5	21.0	● grey	100	9037540000
H6.0/25D	6.00	10	25.0	12.0	4.5		0.2	0.5	20.0	● yellow	100	9037550000
H6.0/29D	6.00	10	29.0	18.0	4.5		0.2	0.5	24.0	● yellow	100	9037560000
H10.0/24DS	10.00	7	24.0	12.0	6.5		0.2	0.5	17.0	● red	100	9018880000
H10.0/26D	10.00	7	24.0	12.0	5.8		0.2	0.5	17.0	● red	100	9037570000
H10.0/30D	10.00	7	30.0	18.0	5.8		0.2	0.5	23.0	● red	100	9037580000
H10.0/30DS	10.00	7	30.0	18.0	6.5		0.2	0.5	23.0	● red	100	9018890000
H16.0/29D	16.00	6	29.0	16.0	8.3		0.3	0.6	20.0	● blue	50	9037590000
H16.0/38D	16.00	6	38.0	25.0	8.3		0.3	0.6	29.0	● blue	50	9037600000

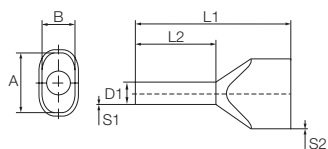
DIN colour code

lin multipack bag

Ordering data

Type	ø mm ²	AWG	L1	L2	D1	D2	S1	S2	Stripping length	Colour	Qty.	Order No.
H0.5/15D	0.50	20	15.0	8.0	1.4		0.15	0.3	11.0	○ white	500	9004780000
H0.75/15D	0.75	18	15.0	8.0	1.7		0.15	0.3	11.0	● grey	500	9018520000
H0.75/17D	0.75	18	17.0	10.0	1.7		0.15	0.3	13.0	● grey	500	9004770000
H1.0/15D	1.00	17	16.0	8.0	2.2		0.15	0.3	12.0	● red	500	9018540000
H1.0/20D	1.00	17	19.0	12.0	2.0		0.15	0.3	16.0	● red	500	9004760000
H1.5/16D	1.50	16	16.0	8.0	2.2		0.15	0.3	11.0	● black	500	9004420000
H1.5/20D	1.50	16	20.0	12.0	2.2		0.15	0.3	15.0	● black	500	9004750000
H2.5/18.5D	2.50	14	19.0	10.0	2.8		0.15	0.4	13.0	● blue	250	9004430000
H2.5/20.5D	2.50	14	21.0	12.0	2.8		0.15	0.4	15.0	● blue	250	9004740000
H4.0/22D	4.00	12	22.0	12.0	3.5		0.2	0.5	15.0	● grey	100	9004730000
H6.0/25D	6.00	10	25.0	12.0	4.5		0.2	0.5	20.0	● yellow	100	9004720000
H10.0/26D	10.00	7	24.0	12.0	5.8		0.2	0.5	17.0	● red	100	9004710000

Twin-wire end ferrules with plastic collar



onlinecomponents.com

- Polypropylene conical cable entry
- Heat-resistant up to 105 °C
- Cable entry made from a not readily flammable material on request

For conductors from 2 x 0,5-2 x 16 mm² (2 x AWG 20-2 x AWG 6)

Tin-plated copper

Dimensional tolerances to DIN 46228 part 4

other colour code

packed loose

Ordering data

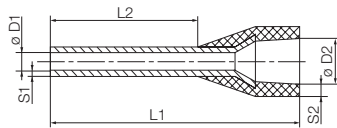
Type	ø mm ²	AWG	L1	L2	D1	D2	S1	S2	Stripping length	Colour	Qty.	Order No.
H0.5/15	0.50	20	15.0	8.0	1.4	0.15	0.3	11.0	11.0	orange	500	9037200000
H0.5/16.5	0.50	20	16.0	10.0	1.4	0.15	0.3	13.0	13.0	orange	500	9037210000
H0.5/18.5	0.50	20	19.0	12.0	1.4	0.15	0.3	15.0	15.0	orange	500	9037220000
H0.75/15T	0.75	18	15.0	8.0	1.7	0.15	0.3	11.0	11.0	light blue	500	9037610000
H0.75/17T	0.75	18	17.0	10.0	1.7	0.15	0.3	13.0	13.0	light blue	500	9037620000
H0.75/19TS	0.75	18	19.0	12.0	1.4	0.15	0.3	21.0	21.0	light blue	500	9202840000
H0.75/24.5T	0.75	18	24.0	18.0	1.7	0.15	0.3	21.0	21.0	light blue	500	9037630000
H1.0/15D	1.00	17	16.0	8.0	2.2	0.15	0.3	12.0	12.0	red	500	9037440000
H1.0/20D	1.00	17	19.0	12.0	2.0	0.15	0.3	16.0	16.0	red	500	9037450000
H1.0/25.6D	1.00	17	25.0	18.0	2.0	0.15	0.3	22.0	22.0	red	500	9037460000
H1.5/16D	1.50	16	16.0	8.0	2.2	0.15	0.3	11.0	11.0	black	500	9037470000
H1.5/20D	1.50	16	20.0	12.0	2.2	0.15	0.3	15.0	15.0	black	500	9037480000
H1.5/25.6D	1.50	16	26.0	18.0	2.2	0.15	0.3	21.0	21.0	black	100	9037490000
H2.5/18.5T	2.50	14	19.0	10.0	2.8	0.15	0.4	13.0	13.0	grey	500	9037640000
H2.5/20.5T	2.50	14	21.0	12.0	2.8	0.15	0.4	15.0	15.0	grey	100	9037650000
H2.5/26.5T	2.50	14	27.0	18.0	2.8	0.15	0.4	21.0	21.0	grey	100	9037660000
H4.0/22T	4.00	12	22.0	12.0	3.5	0.2	0.5	15.0	15.0	orange	100	9037670000
H4.0/28T	4.00	12	28.0	18.0	3.5	0.2	0.5	21.0	21.0	orange	100	9037680000
H6.0/25T	6.00	10	25.0	12.0	4.5	0.2	0.5	20.0	20.0	green	100	9037690000
H6.0/29T	6.00	10	29.0	18.0	4.5	0.2	0.5	24.0	24.0	green	100	9037700000
H10.0/26T	10.00	7	24.0	12.0	5.8	0.2	0.5	17.0	17.0	brown	100	9037710000
H10.0/30T	10.00	7	30.0	18.0	5.8	0.2	0.5	23.0	23.0	brown	100	9037720000
H16.0/19T	16.00	6	29.0	16.0	8.3	0.3	0.6	20.0	20.0	white	50	9037730000
H16.0/38T	16.00	6	38.0	25.0	8.3	0.3	0.6	29.0	29.0	white	50	9037740000

other colour code

lin multipack bag

Ordering data

Type	ø mm ²	AWG	L1	L2	D1	D2	S1	S2	Stripping length	Colour	Qty.	Order No.
H0.75/17T	0.75	18	17.0	10.0	1.7	0.15	0.3	13.0	13.0	light blue	500	9005140000
H1.0/15D	1.00	17	16.0	8.0	2.2	0.15	0.3	12.0	12.0	red	500	9018540000
H1.0/20D	1.00	17	19.0	12.0	2.0	0.15	0.3	16.0	16.0	red	500	9004760000
H1.5/16D	1.50	16	16.0	8.0	2.2	0.15	0.3	11.0	11.0	black	500	9004420000
H1.5/20D	1.50	16	20.0	12.0	2.2	0.15	0.3	15.0	15.0	black	500	9004750000
H2.5/18.5T	2.50	14	19.0	10.0	2.8	0.15	0.4	13.0	13.0	grey	250	9018580000
H2.5/20.5	2.50	14	21.0	12.0	2.8	0.15	0.4	15.0	15.0	grey	250	9005150000
H4.0/22T	4.00	12	22.0	12.0	3.5	0.2	0.5	15.0	15.0	orange	100	9018590000
H6.0/25T	6.00	10	25.0	12.0	4.5	0.2	0.5	20.0	20.0	green	100	9005160000
H10.0/26T	10.00	7	24.0	12.0	5.8	0.2	0.5	17.0	17.0	brown	100	9005170000



- Polypropylene conical cable entry
- Heat-resistant up to 105 °C
- Cable entry made from a not readily flammable material on request

For conductors from 1.5 to 16 mm² (AWG 16-6)
 Tin-plated copper
 Dimensional tolerances to DIN 46228 part 4

Weidmüller colour code

packed loose

Ordering data

Type	ø mm ²	AWG	L1	L2	D1	D2	S1	S2	Stripping length	Colour	Qty.	Order No.
H1.5/24 XS	1.50	16	24.0	18.0	1.8	6.8	0.15	0.3	20.0	● black	100	9202870000
H2.5/24 XS	2.50	14	24.0	18.0	2.3	7.6	0.15	0.3	20.0	● blue	100	9202880000

Weidmüller colour code

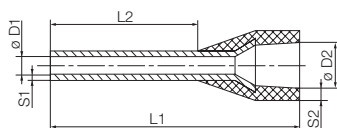
in multipack bag

Ordering data

Type	ø mm ²	AWG	L1	L2	D1	D2	S1	S2	Stripping length	Colour	Qty.	Order No.
H1.5/17.5X	1.50	16	17.5	8.0	1.8	6.8	0.15	0.3	13.0	● black	100	9006590000
H1.5/19.5X	1.50	16	19.5	10.0	1.8	6.8	0.15	0.3	15.0	● black	100	9006630000
H2.5/17.5X	2.50	14	17.5	8.0	2.3	7.6	0.15	0.3	14.0	● blue	100	9006670000
H2.5/21.5X	2.50	14	21.5	12.0	2.3	7.6	0.15	0.3	17.0	● blue	100	9006710000
H4.0/19.5X	4.00	12	19.5	10.0	2.9	7.8	0.2	0.3	14.0	● grey	100	9006750000
H6.0/23.0X	6.00	10	23.0	12.0	3.6	8.1	0.2	0.3	17.0	● yellow	100	9006790000
H10.0/24.5X	10.00	7	24.0	12.0	4.6	9.6	0.2	0.3	17.0	● red	100	9006830000
H16.0/25.5X	16.00	6	25.5	12.0	6.0	11.9	0.2	0.3	26.0	● blue	100	9006870000

onlinecomponents.com

Wire end ferrules with plastic collar, special sizes



onlinecomponents.com

- Polypropylene conical cable entry
- Heat-resistant up to 105 °C
- Cable entry made from a not readily flammable material on request

For conductors from 0.5 to 2.5 mm² (AWG 20-14)
Tin-plated copper
Dimensional tolerances to DIN 46228 part 4

Weidmüller colour code

packed loose

Ordering data

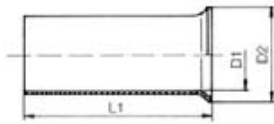
Type	ø mm ²	AWG	L1	L2	D1	D2	S1	S2	Stripping length	Colour	Qty.	Order No.
H0.5/14S	0.50	20	14.0	8.0	1.0	2.9	0.15	0.25	10.0	orange	500	9004560000
H0.5/14S	0.50	20	14.0	8.0	1.0	2.9	0.15	0.25	10.0	white	500	9004590000
H0.5/16DS	0.50	20	16.0	10.0	1.0	2.9	0.15	0.25	12.0	white	500	9202910000
H0.5/16S	0.50	20	16.0	10.0	1.0	2.9	0.15	0.25	12.0	orange	500	9202900000
H0.75/14S	0.75	18	14.0	8.0	1.2	3.4	0.15	0.25	10.0	white	500	9025960000
H0.75/14TS	0.75	18	14.0	8.0	1.2	3.4	0.15	0.25	10.0	light blue	500	9018550000
H1.0/14S	1.00	17	14.0	8.0	1.4	3.5	0.15	0.25	10.0	yellow	500	9025970000
H1.0/14S	1.00	17	14.0	8.0	1.4	3.5	0.15	0.25	10.0	red	500	9018560000
H1.5/12S	1.50	16	12.0	6.0	1.7	3.5	0.15	0.25	8.0	red	500	9025690000
H1.5/14S	1.50	16	14.0	8.0	1.7	3.9	0.15	0.25	10.0	red	500	9025980000
H1.5/14S	1.50	16	14.0	8.0	1.7	3.9	0.15	0.25	10.0	black	500	9025240000
H2.5/12DS	2.50	14	12.0	6.0	2.2	4.2	0.15	0.25	8.0	blue	500	9028490000
H2.5/12TS	2.50	14	12.0	6.0	2.2	4.2	0.15	0.25	8.0	grey	500	9036200000
H2.5/14S	2.50	14	14.0	8.0	2.2	4.0	0.15	0.25	10.0	blue	500	1333100000
H2.5/14TS	2.50	14	14.0	8.0	2.2	4.0	0.15	0.25	10.0	grey	500	9426770000
H2.5/16DS	2.50	14	16.0	10.0	2.2	4.2	0.15	0.25	13.0	blue	500	9036220000

Weidmüller colour code

lin multipack bag

Ordering data

Type	ø mm ²	AWG	L1	L2	D1	D2	S1	S2	Stripping length	Colour	Qty.	Order No.
H0.75/14S	0.75	18	14.0	8.0	1.2	3.4	0.15	0.25	10.0	white	500	9025700000
H1.0/14S	1.00	17	14.0	8.0	1.4	3.5	0.15	0.25	10.0	yellow	500	9025710000
H1.5/14DS	1.50	16	14.0	8.0	1.7	3.9	0.15	0.25	10.0	black	500	9028360000
H1.5/14S	1.50	16	14.0	8.0	1.7	3.9	0.15	0.25	10.0	red	500	9025720000



onlinecomponents.com

For conductors 0.25-185 mm² (AWG 24-350 MCM)

Material: tin-plated copper

Dimensional tolerances to DIN 46228 part 1

without plastic collar

packed loose

Ordering data

Type	ø mm ²	AWG	L1	L2	D1	D2	S1	S2	Stripping length	Colour	Qty.	Order No.
H0.25/5	0.25	24	5.0		0.7	1.6			5.0		1000	9018910000
H0.5/10	0.50	20	10.0		1.0	2.1			10.0		1000	9004050000
H0.5/6	0.50	20	6.0		1.0	2.1			6.0		1000	0282600000
H0.75/10	0.75	18	10.0		1.2	2.3			10.0		1000	0542500000
H0.75/6	0.75	18	6.0		1.2	2.3			6.0		1000	0282700000
H1.0/10	1.00	17	10.0		1.4	2.5			10.0		1000	0282800000
H1.0/6	1.00	17	6.0		1.4	2.5			6.0		1000	0372600000
H1.5/7	1.50	16	7.0		1.7	2.8			7.0		1000	0372700000
H1.5/10	1.50	16	10.0		1.7	2.8			10.0		1000	0186500000
H1.5/12	1.50	16	12.0		1.7	2.8			12.0		1000	9004060000
H1.5/18	1.50	16	18.0		1.7	2.8			18.0		1000	9004070000
H2.5/7	2.50	14	7.0		2.2	3.4			7.0		1000	0373000000
H2.5/10	2.50	14	10.0		2.2	3.4			10.0		1000	9004080000
H2.5/12	2.50	14	12.0		2.2	3.4			12.0		1000	0186100000
H2.5/18	2.50	14	18.0		2.2	3.4			18.0		1000	9004090000
H4.0/9	4.00	12	9.0		2.8	4.0			9.0		500	0373100000
H4.0/15	4.00	12	15.0		2.8	4.0			15.0		500	9004100000
H4.0/12	4.00	12	12.0		2.8	4.0			12.0		1000	0244100000
H4.0/18	4.00	12	18.0		2.8	4.0			18.0		500	9004110000
H6.0/10	6.00	10	10.0		3.5	4.7			10.0		500	9004120000
H6.0/12	6.00	10	12.0		3.5	4.7			12.0		500	0191900000
H6.0/15	6.00	10	15.0		3.5	4.7			15.0		500	0124700000
H6.0/18	6.00	10	18.0		3.5	4.7			18.0		500	9004130000
H10.0/12	10.00	7	12.0		4.5	5.8			12.0		500	0282900000
H10.0/15	10.00	7	15.0		4.5	5.8			15.0		500	0124800000
H10.0/18	10.00	7	18.0		4.5	5.8			18.0		500	0379300000
H16.0/12	16.00	6	12.0		5.8	7.5			12.0		500	0492500000
H16.0/15	16.00	6	15.0		5.8	7.5			15.0		500	0124300000
H16.0/18	16.00	6	18.0		5.8	7.5			18.0		100	0375200000
H16.0/25	16.00	6	25.0		5.8	7.5			25.0		100	9004150000
H16.0/32	16.00	6	32.0		5.8	7.5			32.0		100	9004160000
H25.0/15	25.00	3	15.0		7.3	9.5			15.0		250	0124400000
H25.0/18	25.00	3	18.0		7.3	9.5			18.0		100	0375300000
H25.0/25	25.00	3	25.0		7.3	9.5			25.0		250	9004170000
H25.0/32	25.00	3	32.0		7.3	9.5			32.0		100	9004180000
H35.0/18	35.00	2	18.0		8.3	11.0			18.0		100	0368900000
H35.0/25	35.00	2	25.0		8.3	11.0			25.0		100	9004190000
H35.0/30	35.00	2	30.0		8.3	11.0			30.0		100	9451000000
H35.0/32	35.00	2	32.0		8.3	11.0			32.0		100	9004200000
H50.0/18	50.00	1	18.0		10.3	13.0			18.0		100	9004210000
H50.0/25	50.00	1	25.0		10.3	13.0			25.0		100	9025880000
H50.0/32	50.00	1	32.0		10.3	13.0			32.0		100	9004220000
H70.0/25	70.00	2/0	25.0		12.5	15.0			25.0		50	9004230000
H70.0/32	70.00	2/0	32.0		12.5	15.0			32.0		50	9004240000
H95.0/25	95.00	3/0	25.0		14.5	17.0			25.0		50	9004250000
H95.0/32	95.00	3/0	32.0		14.5	17.0			32.0		50	9004260000
H120.0/32	120.00	4/0	32.0		16.5	19.0			32.0		25	9036240000
H150.0/32	150.00	300 MCM	32.0		18.5	21.0			32.0		25	9036250000
H185.0/32	185.00	350 MCM	32.0		20.0	23.5			32.0		25	9036260000

Insulated cable connectors, PVC, with conical cable entry

onlinecomponents.com
THE ONLINE DISTRIBUTOR OF ELECTRONIC COMPONENTS



Accessories

Ring cable connector



Ordering data

Type	Cross-section, mm ²	Colour	Dimensions	Qty.	Order No.
LIR 1.5M3 V	0.5 - 1.5	●	M 3	100	9200070000
LIR 1.5M3.5 V	0.5 - 1.5	●	M 3.5	100	9200080000
LIR 1.5M4 V	0.5 - 1.5	●	M 4	100	9200090000
LIR 1.5M5 V	0.5 - 1.5	●	M 5	100	9200100000
LIR 1.5M6 V	0.5 - 1.5	●	M 6	100	9200110000
LIR 1.5M8 V	0.5 - 1.5	●	M 8	100	9200120000
LIR 2.5M3 V	1.5 - 2.5	●	M 3	100	9200150000
LIR 2.5M3.5 V	1.5 - 2.6	●	M 3.5	100	9200160000
LIR 2.5M4 V	1.5 - 2.7	●	M 4	100	9200170000
LIR 2.5M5 V	1.5 - 2.8	●	M 5	100	9200180000
LIR 2.5M6 V	1.5 - 2.9	●	M 6	100	9200190000
LIR 2.5M8 V	1.5 - 2.1	●	M 8	100	9200200000
LIR 2.5M10 V	1.5 - 2.5	●	M 10	100	9200210000
LIR 6.0M4 V	4 - 6	●	M 4	100	9200230000
LIR 6M5 V	4 - 6	●	M 5	100	9200240000
LIR 6M6 V	4 - 6	●	M 6	100	9200250000
LIR 6M8 V	4 - 6	●	M 8	100	9200260000
LIR 6.0M10 V	4 - 6	●	M 10	100	9200270000

G

Fork-type cable connector



Ordering data

Type	Cross-section, mm ²	Colour	Dimensions	Qty.	Order No.
LIS 1.5M3 V	0.5 - 1.5	●	M 3	100	9200290000
LIS 1.5M3.5 V	0.5 - 1.5	●	M 3.5	100	9200300000
LIS 1.5M4 V	0.5 - 1.5	●	M 4	100	9200310000
LIS 1.5M5 V	0.5 - 1.5	●	M 5	100	9200320000
LIS 1.5M6 V	0.5 - 1.5	●	M 6	100	9200330000
LIS 2.5M3 V	1.5 - 2.5	●	M 3	100	9200350000
LIS 2.5M3.5 V	1.5 - 2.5	●	M 3.5	100	9200360000
LIS 2.5M4 V	1.5 - 2.5	●	M 4	100	9200370000
LIS 2.5M5 V	1.5 - 2.5	●	M 5	100	9200380000
LIS 2.5M6 V	1.5 - 2.5	●	M 6	100	9200390000
LIS 6.0M4 V	4 - 6	●	M 4	100	9200410000
LIS 6.0M5 V	4 - 6	●	M 5	100	9200420000
LIS 6.0M6 V	4 - 6	●	M 6	100	9200430000
LIS 6.0M8 V	4 - 6	●	M 8	100	9200440000
LIS 6.0M10 V	4 - 6	●	M 10	100	9200450000

Pin-type cable connector

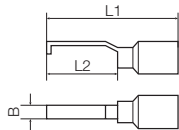


Ordering data

Type	Cross-section, mm ²	Colour	Dimensions	Qty.	Order No.
LIP 1.5R12 V	0.5 - 1.5	●	12.0	100	9200460000
LIP 2.5R12 V	1.5 - 2.5	●	12.0	100	9200470000
LIP 6.0R14 V	4 - 6	●	14.0	100	9200480000

Hook-type cable connector

to ESI 50-18 part 2



Ordering data

Type	Cross-section, mm ²	Colour	L1	L2	L3	Qty.	Order No.
HB 1-17	0.25 - 1.5	●	27.2	16.75	4.6	100	9036290000
HB 1-13	1.0 - 2.5	●	27.2	16.75	3.0	100	9036300000



Butt connector



Ordering data

Type	Cross-section, mm ²	Colour	Dimensions	Qty.	Order No.
LIB 1.5B25 VF	0.5 - 1.5	●	24.5	100	9200490000
LIB 2.5B25 VF	1.5 - 2.5	●	24.5	100	9200500000
LIB 6.0B26 VF	4 - 6	●	26.0	100	9200510000

Flat blade receptacles

with copper sleeve



Ordering data

Type	Cross-section, mm ²	Colour	Dimensions	Qty.	Order No.
LIF 1.5F288 R	0.5 - 1.5	●	2.8 x 0.8 mm	100	9200520000
LIF 1.5F488 R	0.5 - 1.5	●	4.8 x 0.8 mm	100	9200530000
LIF 1.5F638 R	0.5 - 1.5	●	6.3 x 0.8 mm	100	9200540000
LIF 2.5F488 R	1.5 - 2.5	●	4.8 x 0.8 mm	100	9200550000
LIF 2.5F638 R	1.5 - 2.5	●	6.3 x 0.8 mm	100	9200560000
LIF 6.0F638 R	4 - 6	●	6.3 x 0.8 mm	100	9200570000

Flat blade connector

with copper sleeve



Ordering data

Type	Cross-section, mm ²	Colour	Dimensions	Qty.	Order No.
LIF 1.5M638 R	0.5 - 1.5	●	6.3 x 0.8 mm	100	9200580000
LIF 2.5M638 R	1.5 - 2.5	●	6.3 x 0.8 mm	100	9200590000
LIF 6.0M638 R	4 - 6	●	6.3 x 0.8 mm	100	9200600000

Flat blade receptacles. piggy-back

with copper sleeve



Ordering data

Type	Cross-section, mm ²	Colour	Dimensions	Qty.	Order No.
LIF 1.5T638 R	0.5 - 1.5	●	6.3 x 0.8 mm	100	9200610000
LIF 2.5T638 R	1.5 - 2.5	●	6.3 x 0.8 mm	100	9200620000
LIF 6.0T638 R	4 - 6	●	6.3 x 0.8 mm	100	9200630000

Flat blade receptacles. full insulation

with copper sleeve



Ordering data

Type	Cross-section, mm ²	Colour	Dimensions	Qty.	Order No.
LIF 1.5F638 RF	0.5 - 1.5	●	6.3 x 0.8 mm	100	9200640000
LIF 2.5F638 RF	1.5 - 2.5	●	6.3 x 0.8 mm	100	9200650000
LIF 6.0F638 RF	4 - 6	●	6.3 x 0.8 mm	100	9200660000

G

Insulated cable connectors, PVC, with conical cable entry

onlinecomponents.com
THE ONLINE DISTRIBUTOR OF ELECTRONIC COMPONENTS



Round plug

with copper sleeve



Ordering data

Type	Cross-section, mm ²	Colour	Dimensions	Qty.	Order No.
LID 1.5M4 R	0.5 - 1.5	●	Ø 4 mm	100	9200670000
LID 2.5M5 R	1.5 - 2.5	●	Ø 5 mm	100	9200680000
LID 6.0M5 R	4 - 6	●	Ø 5 mm	100	9200690000

Sockets for round plugs

with copper sleeve



Ordering data

Type	Cross-section, mm ²	Colour	Dimensions	Qty.	Order No.
LID 1.5F4 RF	0.5 - 1.5	●	Ø 4 mm	100	9200700000
LID 2.5F5 RF	1.5 - 2.5	●	Ø 5 mm	100	9200710000
LID 6.0F5 RF	4 - 6	●	Ø 5 mm	100	9200720000