

IEC Appliance Inlet C14, Screw-on Mounting, Front Side, Solder or Quick-connect, PCB or Screw Terminal



new

C14



70° C

**Description**

- Panel Mount:
- Screw-on mounting, Frontside
- Appliance Inlet, Pin temperature 70 °C, Protection class I

Approvals

- VDE License Number: 40011871
- UL License Number: E45115
- CSA License Number: 27324

References

[General Product Information](#)

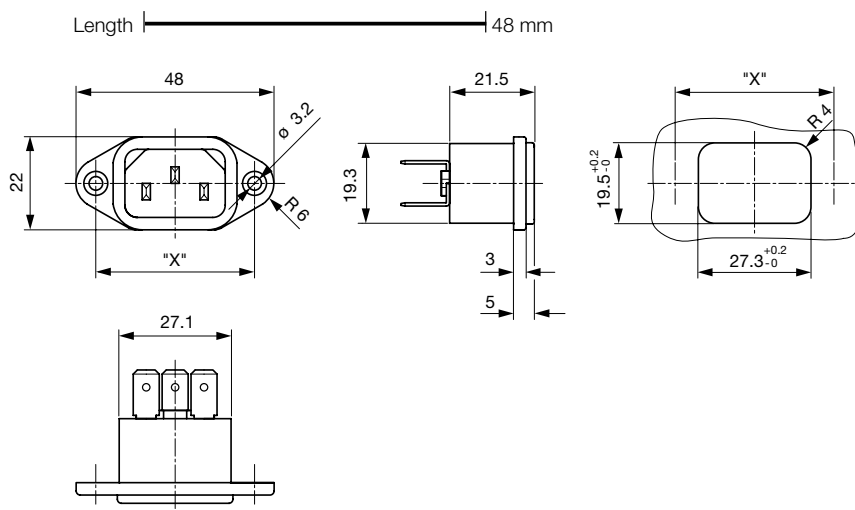
Weblinks

[Approvals](#), [RoHS](#), [CHINA-RoHS](#), [Mating Connectors](#), [e-Store](#), [SCHURTER-Stock-Check](#), [Distributor-Stock-Check](#), [Product Configurator](#)

Technical Data

Ratings IEC	10 A / 250 VAC; 50 Hz
Ratings UL/CSA	15 A / 250 VAC; 60 Hz
Dielectric Strength	> 3 kVAC between L-N > 1.5 kVAC between L/N-PE (1 min/50 Hz)
Allowable Operation Temp.	-25 °C to 70 °C
Degree of Protection	from front side IP 20 acc. to IEC 60529
Protection Class	Suitable for appliances with protection class 1 acc. to IEC 61140
Material: Housing	UL 94V-0

Appliance Inlet	C14 acc. to IEC/EN 60320-1 UL 498, CSA C22.2 no. 42 (for cold conditions) pin-temperature 70 °C, 10 A, Protection Class 1
-----------------	--

Dimensions

length of the terminal please find at the order code configuration table

Konfigurationsschlüssel

Product Configurator

6061 - H - A B C 0 - D - E G


The characters are placeholders for the correspondingly keys of selections from the key tables.

6061 - H - A B C 0 - D - E G = Type

Type	Configuration key
protection class 1	X

6061 - H - A B C 0 - D - E G = Terminals

Terminal L	Configuration key
short solder terminal (L=4,8mm)	2
long solder terminal (L=8,5mm)	3
PCB-terminal (long)	6
blade terminal (2,8x0,8mm)	7
blade terminal (4,8x0,8mm)	8
blade terminal (6,3x0,8mm)	9
screw terminal	A



6061 - H - A B C 0 - D - E G = Terminals

Terminal N	Configuration key
short solder terminal (L=4,8mm)	2
long solder terminal (L=8,5mm)	3
PCB-terminal (long)	6
blade terminal (2,8x0,8mm)	7
blade terminal (4,8x0,8mm)	8
blade terminal (6,3x0,8mm)	9
screw terminal	A

Symbols similar as in table A

6061 - H - A B C 0 - D - E G = Terminals

Terminal Ground	Configuration key
short solder terminal (L=4,8mm)	2
long solder terminal (L=8,5mm)	3
PCB-terminal (long)	6
blade terminal (2,8x0,8mm)	7
blade terminal (4,8x0,8mm)	8
blade terminal (6,3x0,8mm)	9
screw terminal	A

Symbols similar as in table A

6061 - H - A B C 0 - D - E G = Color

Color	Configuration key
jet black; RAL9005	A
silver grey; RAL7001	B
pure white; RAL9010	D

standard color: black

6061 - H - A B C 0 - D - E G = Style

Style	Configuration key
flange with countersunk holes	1
flange with through holes	2
flange with through holes (special type)	7

6061 - H - A B C 0 - D - E G = Dimension X

Dimension "X"	Configuration key
36	
40	

The dimension "X" is displayed in ($1/_{10}$ mm). This information is also valid for the order code

Distributor-Stock-Check | SCHURTER-Stock-Check | e-Store

Variants

Distributor-Stock-Check | SCHURTER-Stock-Check | e-Store

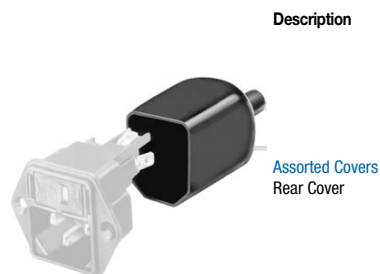
	Description	Order Number
6061-X-2220-A-136	6061, IEC Appliance Inlet C14, 70°C, version: I, L: short solder terminal (L=4,8mm), N: short solder terminal (L=4,8mm), ground: short solder terminal (L=4,8mm), color: jet black; RAL9005, design: flange with countersunk holes, dimension X: 36	6162.0045
6061-X-2220-A-140	6061, IEC Appliance Inlet C14, 70°C, version: I, L: short solder terminal (L=4,8mm), N: short solder terminal (L=4,8mm), ground: short solder terminal (L=4,8mm), color: jet black; RAL9005, design: flange with countersunk holes, dimension X: 40	6162.0046
6061-X-2220-A-240	6061, IEC Appliance Inlet C14, 70°C, version: I, L: short solder terminal (L=4,8mm), N: short solder terminal (L=4,8mm), ground: short solder terminal (L=4,8mm), color: jet black; RAL9005, design: flange with through holes, dimension X: 40	6162.0047
6061-X-2220-B-140	6061, IEC Appliance Inlet C14, 70°C, version: I, L: short solder terminal (L=4,8mm), N: short solder terminal (L=4,8mm), ground: short solder terminal (L=4,8mm), color: silver grey; RAL7001, design: flange with countersunk holes, dimension X: 40	6162.0048
6061-X-3330-A-136	6061, IEC Appliance Inlet C14, 70°C, version: I, L: long solder terminal (L=8,5mm), N: long solder terminal (L=8,5mm), ground: long solder terminal (L=8,5mm), color: jet black; RAL9005, design: flange with countersunk holes, dimension X: 36	6162.0049
6061-X-3330-A-140	6061, IEC Appliance Inlet C14, 70°C, version: I, L: long solder terminal (L=8,5mm), N: long solder terminal (L=8,5mm), ground: long solder terminal (L=8,5mm), color: jet black; RAL9005, design: flange with countersunk holes, dimension X: 40	6162.0050
6061-X-3330-A-240	6061, IEC Appliance Inlet C14, 70°C, version: I, L: long solder terminal (L=8,5mm), N: long solder terminal (L=8,5mm), ground: long solder terminal (L=8,5mm), color: jet black; RAL9005, design: flange with through holes, dimension X: 40	6162.0051
6061-X-3330-B-140	6061, IEC Appliance Inlet C14, 70°C, version: I, L: long solder terminal (L=8,5mm), N: long solder terminal (L=8,5mm), ground: long solder terminal (L=8,5mm), color: silver grey; RAL7001, design: flange with countersunk holes, dimension X: 40	6162.0052
6061-X-4460-A-740	6061, IEC Appliance Inlet C14, 70°C, version: I, L: PCB-terminal (standard), N: PCB-terminal (standard), ground: PCB-terminal (long), color: jet black; RAL9005, design: flange with through holes (special type), dimension X: 40	6162.0053
6061-X-8880-A-136	6061, IEC Appliance Inlet C14, 70°C, version: I, L: blade terminal (4,8x0,8mm), N: blade terminal (4,8x0,8mm), ground: blade terminal (4,8x0,8mm), color: jet black; RAL9005, design: flange with countersunk holes, dimension X: 36	6162.0054
6061-X-8880-A-140	6061, IEC Appliance Inlet C14, 70°C, version: I, L: blade terminal (4,8x0,8mm), N: blade terminal (4,8x0,8mm), ground: blade terminal (4,8x0,8mm), color: jet black; RAL9005, design: flange with countersunk holes, dimension X: 40	6162.0055
6061-X-8880-B-140	6061, IEC Appliance Inlet C14, 70°C, version: I, L: blade terminal (4,8x0,8mm), N: blade terminal (4,8x0,8mm), ground: blade terminal (4,8x0,8mm), color: silver grey; RAL7001, design: flange with countersunk holes, dimension X: 40	6162.0056
6061-X-9990-A-136	6061, IEC Appliance Inlet C14, 70°C, version: I, L: blade terminal (6,3x0,8mm), N: blade terminal (6,3x0,8mm), ground: blade terminal (6,3x0,8mm), color: jet black; RAL9005, design: flange with countersunk holes, dimension X: 36	6162.0057
6061-X-9990-A-140	6061, IEC Appliance Inlet C14, 70°C, version: I, L: blade terminal (6,3x0,8mm), N: blade terminal (6,3x0,8mm), ground: blade terminal (6,3x0,8mm), color: jet black; RAL9005, design: flange with countersunk holes, dimension X: 40	6162.0058
6061-X-9990-B-140	6061, IEC Appliance Inlet C14, 70°C, version: I, L: blade terminal (6,3x0,8mm), N: blade terminal (6,3x0,8mm), ground: blade terminal (6,3x0,8mm), color: silver grey; RAL7001, design: flange with countersunk holes, dimension X: 40	6162.0059
6061-X-9990-B-240	6061, IEC Appliance Inlet C14, 70°C, version: I, L: blade terminal (6,3x0,8mm), N: blade terminal (6,3x0,8mm), ground: blade terminal (6,3x0,8mm), color: silver grey; RAL7001, design: flange with through holes, dimension X: 40	6162.0060
6061-X-AAA0-A-140	6061, IEC Appliance Inlet C14, 70°C, version: I, L: screw terminal, N: screw terminal, ground: screw terminal, color: jet black; RAL9005, design: flange with countersunk holes, dimension X: 40	6162.0061
6061-X-AAA0-B-140	6061, IEC Appliance Inlet C14, 70°C, version: I, L: screw terminal, N: screw terminal, ground: screw terminal, color: silver grey; RAL7001, design: flange with countersunk holes, dimension X: 40	6162.0062

The listed variants should be available from stock. Other versions on request www.schurter.com/contact

Packaging unit

50 Pcs

Accessories



Mating Outlets/Connectors

Category / Description

[Appliance Outlet Overview complete](#)

IEC Appliance Outlet F, Screw-on Mounting, Front Side, Solder or Quick-connect Terminal	4787
IEC Appliance Outlet F, Snap-in Mounting, Front Side, Solder or Quick-connect Terminal	4788
IEC Appliance Outlet F or H, Screw-on Mounting, Front Side, Solder, PCB or Quick-connect Terminal	5091
IEC Appliance Outlet F or H, Screw-on Mounting, Front Side, Solder or Quick-connect Terminal	5092

[Appliance Outlet further types to 6061](#)

[Connector Overview complete](#)

IEC Connector C15, Rewireable, Straight	0101
IEC Connector C15A, Rewireable, Straight	0102
IEC Connector C15A, Rewireable, Straight	0102-G
IEC Connector C15A, Rewireable, Angled	0112
IEC Connector C13, Rewireable, Angled	4012

[Connector further types to 6061](#)

...

[Power Cord Overview complete](#)

Power Cord with IEC Connector C13, Angled	0311
Power Cord with IEC Connector C13, Angled	3011
Power Cord with IEC Connector C13, Angled	3012
Power Cord with IEC Connector C13, Angled	3013
Power Cord with IEC Connector C13	3020

[Power Cord further types to 6061](#)

...

[Power Supply or Interconnection Cord Overview complete](#)

Divers Power Supply and Interconnection Cords 10 A	Kabelverbindung/10 A
--	----------------------

[Power Supply or Interconnection Cord further types to 6061](#)