

IEC Appliance Inlet C14 or C18 with Line Switch 1-or 2 pole and Fuseholder 1- or 2-pole

**Description**

- Panel Mount:
- Screw-on version from front or rear side, Appliance Inlet, protection class I or II, Fuseholder for fuse-links 5 x 20 mm, Line Switch 2-pole
- Solder terminals or quick connect terminals

Approvals

- UL License Number: E88880
- CSA License Number: 1084381

Characteristics

- Line switch non-illuminated or illuminated

References

[General Product Information](#)

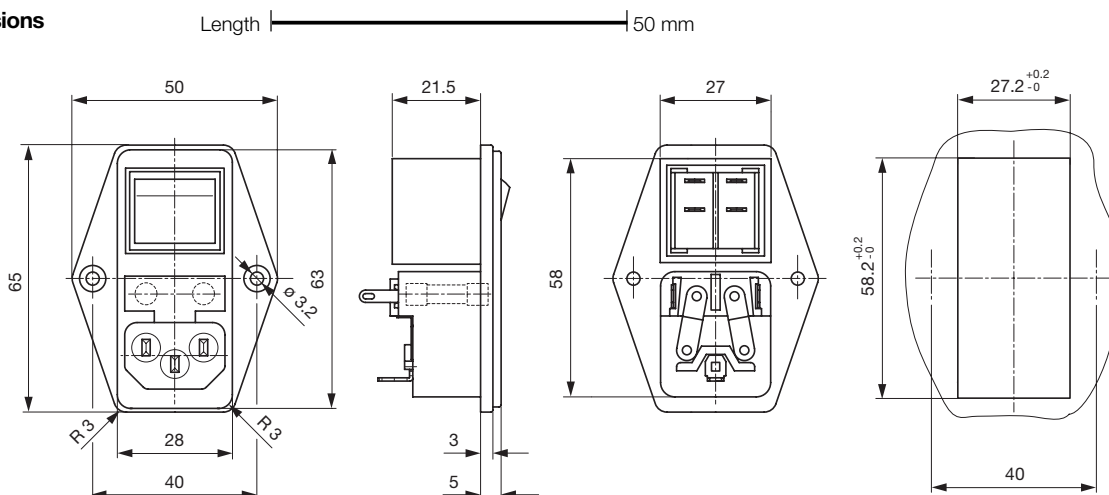
Weblinks

[Approvals](#), [RoHS](#), [CHINA-RoHS](#), [Mating Connectors](#), [e-Store](#), [SCHURTER-Stock-Check](#), [Distributor-Stock-Check](#), [Product Configurator](#)

Technical Data

Ratings IEC	10A / 250VAC; 50Hz
Ratings UL/CSA	10A / 250VAC; 60Hz
Dielectric Strength	> 3kVAC between L-N > 1.5kVAC between L/N-PE (1 min/50Hz)
Allowable Operation Temp.	-25 °C to 70 °C
Degree of Protection	from front side IP 20 acc. to IEC 60529
Protection Class	Suitable for appliances with protection class 1 or 2 acc. to IEC 61140
Terminal	Solder terminals or quick connect terminals
Material: Housing	black, UL 94V-0

Appliance Inlet	C14 acc. to IEC/EN 60320-1 UL 498, CSA C22.2 no. 42 (for cold conditions) pin-temperature 70 °C, 10A, Protection Class 1 or 2
Fuseholder	1 or 2 pole, acc. to IEC 60127-6, for fuse-links mm
Power Acceptance @ Ta > 23°C	Admissible power acceptance at higher ambient temperature see derating curves
Line Switch	Rocker switch 2-pole, non-illuminated or illuminated black, acc. to IEC 61058-1 Technical details

Dimensions

length of the terminal please find at the order code configuration table

Konfigurationsschlüssel

Product Configurator

6765 - H - A B C N - D - E G O P

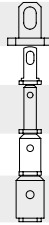
The characters are placeholders for the correspondingly keys of selections from the key tables.

6765 - H - A B C N - D - E G O P = Type

Type	Configuration key
protection class 2	B
protection class 1	X

6765 - H - A B C N - D - E G O P = Terminals

Terminal L	Configuration key
short solder terminal (L=4,8mm)	2
long solder terminal (L=8,5mm)	3
blade terminal (2,8x0,8mm)	7
blade terminal (4,8x0,8mm)	8
blade terminal (6,3x0,8mm)	9
connection to fuse holder	B



6765 - H - A B C N - D - E G O P = Terminals

Terminal N	Configuration key
short solder terminal (L=4,8mm)	2
long solder terminal (L=8,5mm)	3
blade terminal (2,8x0,8mm)	7
blade terminal (4,8x0,8mm)	8
blade terminal (6,3x0,8mm)	9
connection to fuse holder	B

Symbols similar as in table A

6765 - H - A B C N - D - E G O P = Terminals

Terminal Ground	Configuration key
without terminal	0
short solder terminal (L=4,8mm)	2
long solder terminal (L=8,5mm)	3
blade terminal (2,8x0,8mm)	7
blade terminal (4,8x0,8mm)	8
blade terminal (6,3x0,8mm)	9

Symbols similar as in table A

6765 - H - A B C N - D - E G O P = Terminal Fuseholder

Terminal Fuseholder	Configuration key
solder terminal	1

6765 - H - A B C N - D - E G O P = Color

Color	Configuration key
jet black; RAL9005	A
standard color: black	

6765 - H - A B C N - D - E G O P = Style

Style	Configuration key
flange with countersunk holes	1

6765 - H - A B C N - D - E G O P = Dimension X

Dimension "X"	Configuration key
00	

The dimension "X" is displayed in ($1/10$ mm). This information is also valid for the order code

6765 - H - A B C N - D - E G O P = Features

Features	Configuration key
dead cover	1
holder for 1 or 2 fuses (text legible, when inlet on top)	4
holder for 1 or 2 fuses (text legible, when inlet on bottom)	5

6765 - H - A B C N - D - E G O P = Switch

Switch	Configuration key
not used	0
dead cover	1
bipolar switch, 4,8mm blade terminal, black rocker	4
bipolar switch, solder terminals, black rocker	5
bipolar switch, 4,8mm blade terminal, rocker red illuminated	6
bipolar switch, solder terminal, rocker red illuminated	7
bipolar switch, 4,8mm blade terminals, rocker green illuminated	8
bipolar switch, solder terminals, rocker green illuminated	9

Distributor-Stock-Check | SCHURTER-Stock-Check | e-Store

Variants

Distributor-Stock-Check | SCHURTER-Stock-Check | e-Store

	Description	Order Number
6765-X-BB21-A-10044	6765, IEC Power Entry Module C14, 70°C, version: I or II, L: connection to fuse holder, N: connection to fuse holder, ground: short solder terminal (L=4,8mm), fuseholder: solder terminal, color: jet black; RAL9005, design: flange with countersunk holes, dimension X: 00, features: holder for 1 or 2 fuses (text legible, when inlet on top), bipolar switch, 4,8mm blade terminal, black rocker	4304.6079
6765-X-BB21-A-10045	6765, IEC Power Entry Module C14, 70°C, version: I or II, L: connection to fuse holder, N: connection to fuse holder, ground: short solder terminal (L=4,8mm), fuseholder: solder terminal, color: jet black; RAL9005, design: flange with countersunk holes, dimension X: 00, features: holder for 1 or 2 fuses (text legible, when inlet on top), bipolar switch, solder terminals, black rocker	4304.6080
6765-X-BB21-A-10054	6765, IEC Power Entry Module C14, 70°C, version: I or II, L: connection to fuse holder, N: connection to fuse holder, ground: short solder terminal (L=4,8mm), fuseholder: solder terminal, color: jet black; RAL9005, design: flange with countersunk holes, dimension X: 00, features: holder for 1 or 2 fuses (text legible, when inlet on bottom), bipolar switch, 4,8mm blade terminal, black rocker	4304.6081
6765-X-BB21-A-10055	6765, IEC Power Entry Module C14, 70°C, version: I or II, L: connection to fuse holder, N: connection to fuse holder, ground: short solder terminal (L=4,8mm), fuseholder: solder terminal, color: jet black; RAL9005, design: flange with countersunk holes, dimension X: 00, features: holder for 1 or 2 fuses (text legible, when inlet on bottom), bipolar switch, solder terminals, black rocker	4304.6082
6765-X-BB21-A-10056	6765, IEC Power Entry Module C14, 70°C, version: I or II, L: connection to fuse holder, N: connection to fuse holder, ground: short solder terminal (L=4,8mm), fuseholder: solder terminal, color: jet black; RAL9005, design: flange with countersunk holes, dimension X: 00, features: holder for 1 or 2 fuses (text legible, when inlet on bottom), bipolar switch, 4,8mm blade terminal, rocker red illuminated	4304.6083
6765-X-BB81-A-10041	6765, IEC Power Entry Module C14, 70°C, version: I or II, L: connection to fuse holder, N: connection to fuse holder, ground: blade terminal (4,8x0,8mm), fuseholder: solder terminal, color: jet black; RAL9005, design: flange with countersunk holes, dimension X: 00, features: holder for 1 or 2 fuses (text legible, when inlet on top), dead cover	4304.6086
6765-X-BB81-A-10044	6765, IEC Power Entry Module C14, 70°C, version: I or II, L: connection to fuse holder, N: connection to fuse holder, ground: blade terminal (4,8x0,8mm), fuseholder: solder terminal, color: jet black; RAL9005, design: flange with countersunk holes, dimension X: 00, features: holder for 1 or 2 fuses (text legible, when inlet on top), bipolar switch, 4,8mm blade terminal, black rocker	4304.6087
6765-X-BB81-A-10046	6765, IEC Power Entry Module C14, 70°C, version: I or II, L: connection to fuse holder, N: connection to fuse holder, ground: blade terminal (4,8x0,8mm), fuseholder: solder terminal, color: jet black; RAL9005, design: flange with countersunk holes, dimension X: 00, features: holder for 1 or 2 fuses (text legible, when inlet on top), bipolar switch, 4,8mm blade terminal, rocker red illuminated	4304.6088
6765-X-BB81-A-10048	6765, IEC Power Entry Module C14, 70°C, version: I or II, L: connection to fuse holder, N: connection to fuse holder, ground: blade terminal (4,8x0,8mm), fuseholder: solder terminal, color: jet black; RAL9005, design: flange with countersunk holes, dimension X: 00, features: holder for 1 or 2 fuses (text legible, when inlet on top), bipolar switch, 4,8mm blade terminals, rocker green illuminated	4304.6089
6765-X-BB81-A-10054	6765, IEC Power Entry Module C14, 70°C, version: I or II, L: connection to fuse holder, N: connection to fuse holder, ground: blade terminal (4,8x0,8mm), fuseholder: solder terminal, color: jet black; RAL9005, design: flange with countersunk holes, dimension X: 00, features: holder for 1 or 2 fuses (text legible, when inlet on bottom), bipolar switch, 4,8mm blade terminal, black rocker	4304.6090
6765-X-BB81-A-10058	6765, IEC Power Entry Module C14, 70°C, version: I or II, L: connection to fuse holder, N: connection to fuse holder, ground: blade terminal (4,8x0,8mm), fuseholder: solder terminal, color: jet black; RAL9005, design: flange with countersunk holes, dimension X: 00, features: holder for 1 or 2 fuses (text legible, when inlet on bottom), bipolar switch, 4,8mm blade terminals, rocker green illuminated	4304.6091
6765-X-BB91-A-10044	6765, IEC Power Entry Module C14, 70°C, version: I or II, L: connection to fuse holder, N: connection to fuse holder, ground: blade terminal (6,3x0,8mm), fuseholder: solder terminal, color: jet black; RAL9005, design: flange with countersunk holes, dimension X: 00, features: holder for 1 or 2 fuses (text legible, when inlet on top), bipolar switch, 4,8mm blade terminal, black rocker	4304.6092
6765-X-BB91-A-10045	6765, IEC Power Entry Module C14, 70°C, version: I or II, L: connection to fuse holder, N: connection to fuse holder, ground: blade terminal (6,3x0,8mm), fuseholder: solder terminal, color: jet black; RAL9005, design: flange with countersunk holes, dimension X: 00, features: holder for 1 or 2 fuses (text legible, when inlet on top), bipolar switch, solder terminals, black rocker	4304.6093
6765-X-BB91-A-10046	6765, IEC Power Entry Module C14, 70°C, version: I or II, L: connection to fuse holder, N: connection to fuse holder, ground: blade terminal (6,3x0,8mm), fuseholder: solder terminal, color: jet black; RAL9005, design: flange with countersunk holes, dimension X: 00, features: holder for 1 or 2 fuses (text legible, when inlet on top), bipolar switch, 4,8mm blade terminal, rocker red illuminated	4304.6094
6765-X-BB91-A-10054	6765, IEC Power Entry Module C14, 70°C, version: I or II, L: connection to fuse holder, N: connection to fuse holder, ground: blade terminal (6,3x0,8mm), fuseholder: solder terminal, color: jet black; RAL9005, design: flange with countersunk holes, dimension X: 00, features: holder for 1 or 2 fuses (text legible, when inlet on bottom), bipolar switch, 4,8mm blade terminal, black rocker	4304.6095

The listed variants should be available from stock. Other versions on request www.schurter.com/contact

Packaging unit

50 Pcs

Mating Outlets/Connectors

Category / Description

[Connector Overview complete](#)


IEC Connector C15, Rewireable, Straight	0101
IEC Connector C15A, Rewireable, Straight	0102
IEC Connector C15A, Rewireable, Straight	0102-G
IEC Connector C15A, Rewireable, Angled	0112
IEC Connector C13, Rewireable, Angled	4012

[Connector further types to 6765](#)

...

Power Cord Overview complete



Power Cord with IEC Connector C13, Angled	0311
Power Cord with IEC Connector C13, Angled	3011
Power Cord with IEC Connector C13, Angled	3012
Power Cord with IEC Connector C13, Angled	3013
Power Cord with IEC Connector C13	3020

[Power Cord further types to 6765](#)

...

Power Supply or Interconnection Cord Overview complete



Divers Power Supply and Interconnection Cords 10 A	6000.0214
Divers Power Supply and Interconnection Cords 10 A	6000.0224
Divers Power Supply and Interconnection Cords 10 A	6003.0204
Divers Power Supply and Interconnection Cords 10 A	6003.0205
Divers Power Supply and Interconnection Cords 10 A	6003.0215

[Power Supply or Interconnection Cord further types to 6765](#)

...