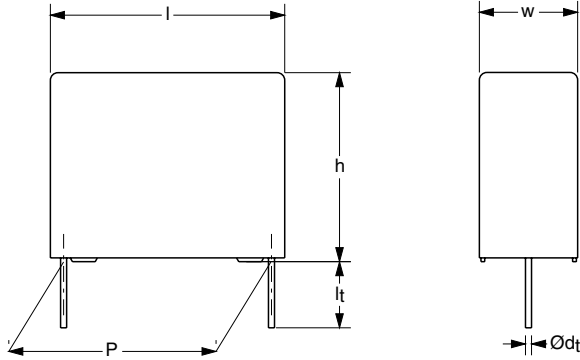


Metallized Polyester Film Capacitors

MKT Radial Potted Type



APPLICATIONS

Blocking and coupling. Bypass and energy reservoir

MARKING

C-value; tolerance; rated voltage; code for manufacturer; manufacturer's type designation; code for dielectric material; code for factory of origin, year and week of manufacturer

DIELECTRIC

Polyester film

ELECTRODES

Vacuum deposited aluminum

ENCAPSULATION

Flame retardant plastic case and epoxy resin (UL-class 94 V-0)

CONSTRUCTION

Wound mono construction

LEADS

Tinned wire

CAPACITANCE RANGE (E12 SERIES)

0.0047 to 15 μ F

FEATURES

- Available taped and loose in box
- Lead (Pb)-free product
- RoHS-compliant product

CAPACITANCE TOLERANCE

$\pm 10\%$; $\pm 5\%$

RATED (DC) VOLTAGE

100 V; 250 V; 400 V; 630 V

RATED (AC) VOLTAGE

63 V; 160 V; 220 V; 250 V

CLIMATIC CATEGORY

55/105/56

RATED TEMPERATURE

85 °C

MAXIMUM APPLICATION TEMPERATURE

100 °C

REFERENCE SPECIFICATIONS

IEC 60384-2

PERFORMANCE GRADE

Grade 1 (long life)

DETAIL SPECIFICATION

For more detailed data and test requirements contact:

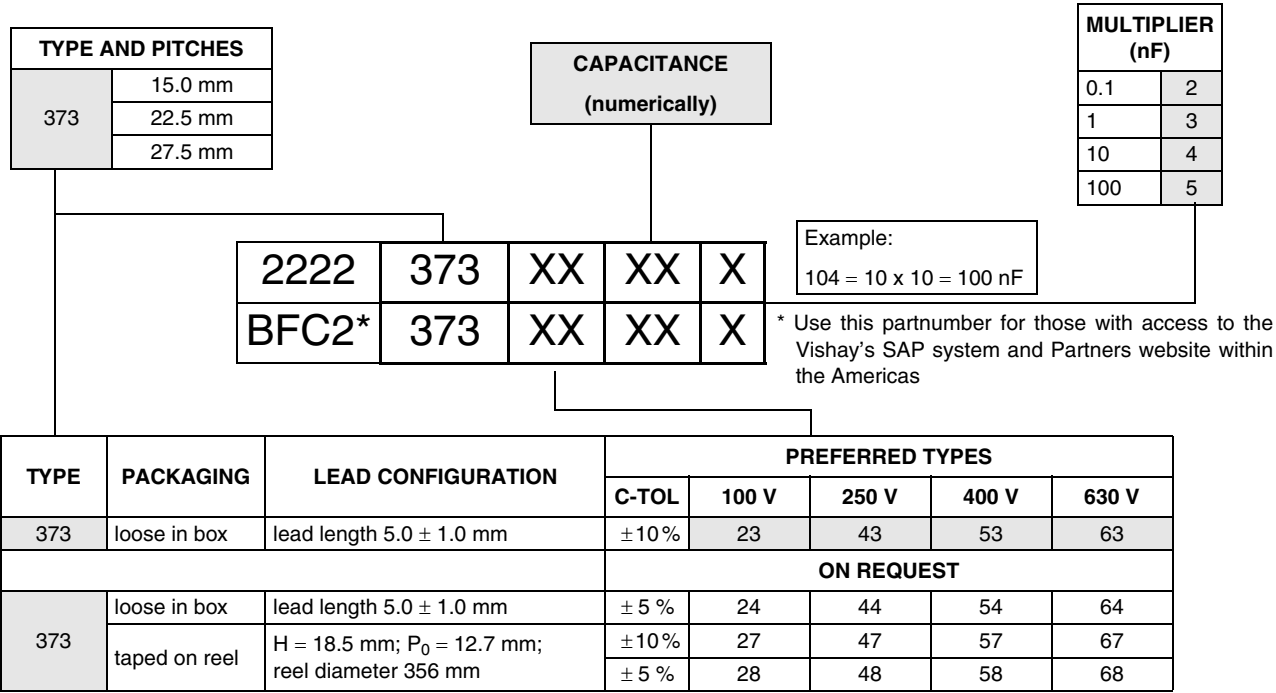
filmcaps.roeselare@vishay.com



RoHS
COMPLIANT



COMPOSITION OF CATALOG NUMBER



SPECIFIC REFERENCE DATA

DESCRIPTION	VALUE			
	at 1 kHz	at 10 kHz	at 100 kHz	
Tangent of loss angle:				
0.33 μF < C ≤ 0.47 μF	≤ 75 × 10 ⁻⁴	≤ 130 × 10 ⁻⁴	≤ 300 × 10 ⁻⁴	
0.47 μF < C ≤ 1.0 μF	≤ 75 × 10 ⁻⁴	≤ 130 × 10 ⁻⁴	-	
1.0 μF < C ≤ 10 μF	≤ 75 × 10 ⁻⁴	≤ 150 × 10 ⁻⁴	-	
C > 10 μF	≤ 75 × 10 ⁻⁴	-	-	
Rated voltage pulse slope (dU/dt) _R :	at 100 V (DC)	at 250 V (DC)	at 400 V (DC)	at 630 V (DC)
P = 15 mm	14 V/μs	16 V/μs	34 V/μs	90 V/μs
P = 22.5 mm	5 V/μs	7 V/μs	14 V/μs	35 V/μs
P = 27.5 mm	4 V/μs	6 V/μs	12 V/μs	30 V/μs
R between leads, for C ≤ 0.33 μF:				
at 100 V; 1 minute	> 15000 MΩ	> 30000 MΩ	> 30000 MΩ	
at 500 V; 1 minute				> 30000 MΩ
RC between leads, for C > 0.33 μF:				
at 100 V; 1 minute	> 5000 s	> 10000 s	> 10000 s	
at 500 V; 1 minute				> 10000 s
R between interconnected leads and case (foil method)	> 30000 MΩ	> 30000 MΩ	> 30000 MΩ	> 30000 MΩ
Withstanding (DC) voltage (cut off current 10 mA); rise time 100 V/s	160 V; 1 minute	400 V; 1 minute	640 V; 1 minute	1008 V; 1 minute
Withstanding (DC) voltage between leads and case	200 V; 1 minute	500 V; 1 minute	800 V; 1 minute	1260 V; 1 minute



MKT 373 Compact Size

Metallized Polyester Film Capacitors Vishay BCcomponents
MKT Radial Potted Type

$U_{Rdc} = 100\text{ V}$, $U_{Rac} = 63\text{ V}$ (compact size)

C (μF)	DIMENSIONS $w \times h \times l$ (mm)	MASS (g)	CATALOG NUMBER 2222 373 AND PACKAGING		
			LOOSE IN BOX		REEL
			$l_t = 5.0 \pm 1.0\text{ mm}$		SPQ
			C-tol = $\pm 10\%$	last 5 digits of catalog number	
Pitch = $15.0 \pm 0.4\text{ mm}$; $d_t = 0.60 \pm 0.06\text{ mm}$					
0.33	5.0 × 11.0 × 17.5	1.1	23334	1000	1100
0.39			23394		
0.47			23474		
0.56			23564		
0.68			23684		
0.82			23824		
1			23105		
1.2			23125		
1.5			23155		
1.8	23185				
2.2	6.0 × 12.0 × 17.5	1.4	23225	1000	900

$U_{Rdc} = 250\text{ V}$, $U_{Rac} = 160\text{ V}$ (compact size)

C (μF)	DIMENSIONS $w \times h \times l$ (mm)	MASS (g)	CATALOG NUMBER 2222 373 AND PACKAGING		
			LOOSE IN BOX		REEL
			$l_t = 5.0 \pm 1.0\text{ mm}$		SPQ
			C-tol = $\pm 10\%$	LAST 5 DIGITS OF CATALOG NUMBER	
Pitch = $15.0 \pm 0.4\text{ mm}$; $d_t = 0.60 \pm 0.06\text{ mm}$					
0.15	5.0 × 11.0 × 17.5	1.1	43154	1000	1100
0.18			43184		
0.22			43224		
0.27			43274		
0.33			43334		
0.39	6.0 × 12.0 × 17.5	1.4	43394	1000	900
0.47			43474		
Pitch = $15.0 \pm 0.4\text{ mm}$; $d_t = 0.80 \pm 0.08\text{ mm}$					
0.56	7.0 × 13.5 × 17.5	1.9	43564	1000	800
0.68			43684		
0.82	8.5 × 15.0 × 17.5	2.6	43824	1000	650
1			43105		
1.2	10.0 × 16.5 × 17.5	3.1	43125	500	600
Pitch = $22.5 \pm 0.4\text{ mm}$; $d_t = 0.80 \pm 0.08\text{ mm}$					
1.5	8.5 × 18.0 × 26.0	4.4	43155	200	450
1.8			43185		
2.2	10.0 × 19.5 × 26.0	5.5	43225	200	350
2.7			43275		
Pitch = $27.5 \pm 0.4\text{ mm}$; $d_t = 0.80 \pm 0.08\text{ mm}$					
3.3	11.0 × 21.0 × 31.0	7.8	43335	100	
3.9	13.0 × 23.0 × 31.0	10.4	43395	100	
4.7			43475		

MKT 373 Compact Size



Vishay BCcomponents Metallized Polyester Film Capacitors
MKT Radial Potted Type

$U_{Rdc} = 400\text{ V}$, $U_{Rac} = 220\text{ V}$ (compact size)

C (μF)	DIMENSIONS w × h × l (mm)	MASS (g)	CATALOG NUMBER 2222 373 AND PACKAGING		
			LOOSE IN BOX		REEL
			It = 5.0 ± 1.0 mm		SPQ
			C-tol = ± 10 %		
LAST 5 DIGITS OF CATALOG NUMBER		SPQ	SPQ		
Pitch = 15.0 ± 0.4 mm; d_t = 0.60 ± 0.06 mm					
0.047	5.0 × 11.0 × 17.5	1.1	53473	1000	1100
0.056			53563		
0.068			53683		
0.082			53823		
0.1			53104		
0.12			53124		
0.15			53154		
0.18	6.0 × 12.0 × 17.5	1.4	53184	1000	900
0.22			53224		
Pitch = 15.0 ± 0.4 mm; d_t = 0.80 ± 0.08 mm					
0.27	7.0 × 13.5 × 17.5	1.9	53274	1000	800
0.33			53334		
0.39	8.5 × 15.0 × 17.5	2.6	53394	1000	650
0.47			53474		
0.56	10.0 × 16.5 × 17.5	3.2	53564	500	600
Pitch = 22.5 ± 0.4 mm; d_t = 0.80 ± 0.08 mm					
0.68	8.5 × 18.0 × 26.0	4.4	53684	200	450
0.82			53824		
1	10.0 × 19.5 × 26.0	5.5	53105	200	350
1.2			53125		
Pitch = 27.5 ± 0.4 mm; d_t = 0.80 ± 0.08 mm					
1.5	11.0 × 21.0 × 31.0	7.8	53155	100	
1.8	13.0 × 23.0 × 31.0	10.5	53185	100	
2.2			53225		

$U_{Rdc} = 630\text{ V}$, $U_{Rac} = 250\text{ V}$ (compact size)

C (μF)	DIMENSIONS w × h × l (mm)	MASS (g)	CATALOG NUMBER 2222 373 AND PACKAGING		
			LOOSE IN BOX		REEL
			It = 5.0 ± 1.0 mm		SPQ
			C-tol = ± 10 %		
LAST 5 DIGITS OF CATALOG NUMBER		SPQ	SPQ		
Pitch = 15.0 ± 0.4 mm; d_t = 0.60 ± 0.06 mm					
0.047	5.0 × 11.0 × 17.5	1.1	63473	1000	1100
0.056			63563		
0.068			63683		
0.082			63823		
Pitch = 15.0 ± 0.4 mm; d_t = 0.80 ± 0.08 mm					
0.1	7.0 × 13.5 × 17.5	1.9	63104	1000	800
0.12			63124		
0.15	8.5 × 15.0 × 17.5	2.6	63154	1000	650
0.18			63184		
0.22	10.0 × 16.5 × 17.5	3.2	63224	500	600
Pitch = 22.5 ± 0.4 mm; d_t = 0.80 ± 0.08 mm					
0.27	8.5 × 18.0 × 26.0	4.4	63274	200	450
0.33			63334		
0.39	10.0 × 19.5 × 26.0	5.5	63394	200	350
0.47			63474		
Pitch = 27.5 ± 0.4 mm; d_t = 0.80 ± 0.08 mm					
0.56	11.0 × 21.0 × 31.0	7.8	63564	100	
0.68	13.0 × 23.0 × 31.0	10.5	63684	100	
0.82			63824		
1	15.0 × 25.0 × 31.0	7.8	63105	100	



MKT 373 Standard Size

Metallized Polyester Film Capacitors Vishay BCcomponents
MKT Radial Potted Type

$U_{Rdc} = 100\text{ V}$, $U_{Rac} = 63\text{ V}$ (standard size)

C (μF)	DIMENSIONS w × h × l (mm)	MASS (g)	CATALOG NUMBER 2222 373 AND PACKAGING		
			LOOSE IN BOX		REEL
			It = 5.0 ± 1.0 mm		SPQ
			C-tol = ± 10 %	LAST 5 DIGITS OF CATALOG NUMBER	
Pitch = 15.0 ± 0.4 mm; d_t = 0.60 ± 0.06 mm					
0.33 0.39 0.47 0.56 0.68	5.0 × 11.0 × 17.5	1.1	21334 21394 21474 21564 21684	1000	1100
0.82 1	6.0 × 12.0 × 17.5	1.4	21824 21105	1000	900
Pitch = 15.0 ± 0.4 mm; d_t = 0.80 ± 0.08 mm					
1.2 1.5	7.0 × 13.5 × 17.5	1.9	21125 21155	1000	800
1.8 2.2	8.5 × 15.0 × 17.5	2.6	21185 21225	1000	650
Pitch = 22.5 ± 0.4 mm; d_t = 0.80 ± 0.08 mm					
2.7 3.3	8.5 × 18.0 × 26.0	4.4	21275 21335	200	450
3.9 4.7	10.0 × 19.5 × 26.0	5.5	21395 21475	200	350
Pitch = 27.5 ± 0.4 mm; d_t = 0.80 ± 0.08 mm					
5.6 6.8	11.0 × 21.0 × 31.0	8.0	21565 21685	100	
8.2 10	13.0 × 23.0 × 31.0	10.5	21825 21106	100	
12 15	18.0 × 28.0 × 31.0	17.5	21126 21156	100	

$U_{Rdc} = 250\text{ V}$, $U_{Rac} = 160\text{ V}$ (standard size)

C (μF)	DIMENSIONS w × h × l (mm)	MASS (g)	CATALOG NUMBER 2222 373 AND PACKAGING		
			LOOSE IN BOX		REEL
			It = 5.0 ± 1.0 mm		SPQ
			C-tol = ± 10 %	LAST 5 DIGITS OF CATALOG NUMBER	
Pitch = 15.0 ± 0.4 mm; d_t = 0.60 ± 0.06 mm					
0.15 0.18 0.22	5.0 × 11.0 × 17.5	1.1	41154 41184 41224	1000	1100
0.27 0.33 0.39 0.47	6.0 × 12.0 × 17.5	1.4	41274 41334 41394 41474	1000	900
Pitch = 15.0 ± 0.4 mm; d_t = 0.80 ± 0.08 mm					
0.56 0.68	7.0 × 13.5 × 17.5	1.9	41564 41684	1000	800

MKT 373 Standard Size

Vishay BCcomponents Metallized Polyester Film Capacitors
MKT Radial Potted Type



C (μ F)	DIMENSIONS w × h × l (mm)	MASS (g)	CATALOG NUMBER 2222 373 AND PACKAGING				
			LOOSE IN BOX		REEL		
			It = 5.0 ± 1.0 mm			SPQ	SPQ
			C-tol = ± 10 %		LAST 5 DIGITS OF CATALOG NUMBER		
0.82 1	8.5 × 15.0 × 17.5	2.6	41824 41105	1000		650	
Pitch = 22.5 ± 0.4 mm; d_t = 0.80 ± 0.08 mm							
1.2 1.5	8.5 × 18.0 × 26.0	4.4	41125 41155	200	450		
1.8 2.2	10.0 × 19.5 × 26.0	5.5	41185 41225	200	350		
Pitch = 27.5 ± 0.4 mm; d_t = 0.80 ± 0.08 mm							
2.7 3.3	13.0 × 23.0 × 31.0	10.4	41275 41335	100			
3.9 4.7	15.0 × 25.0 × 31.0	12.5	41395 41475	100			

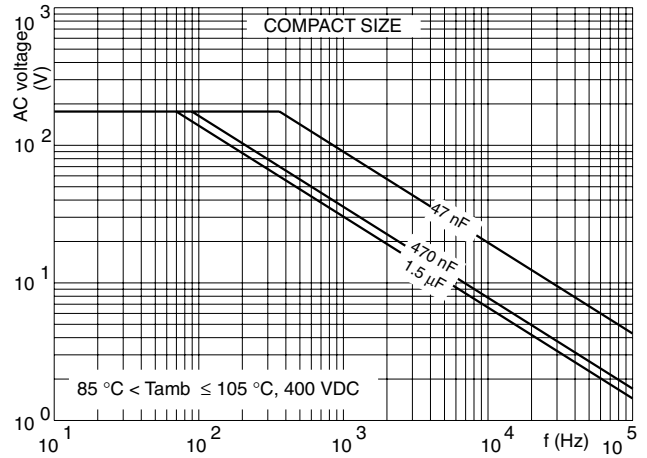
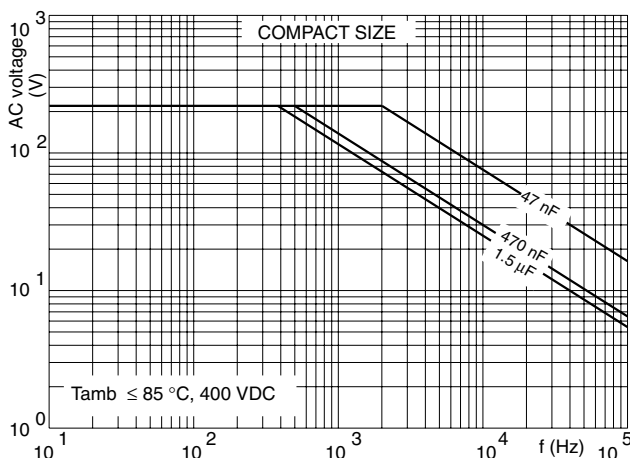
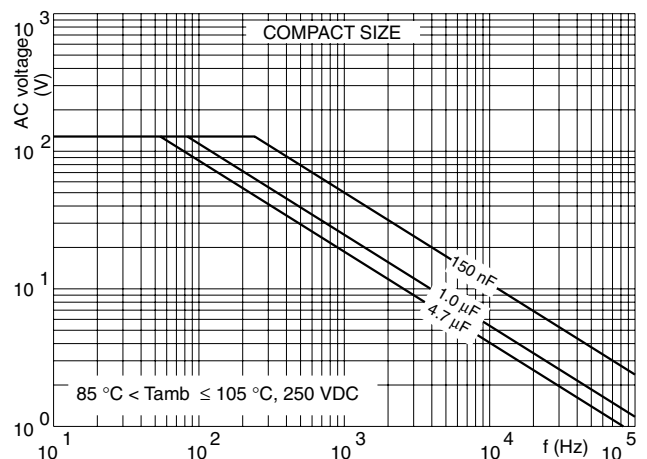
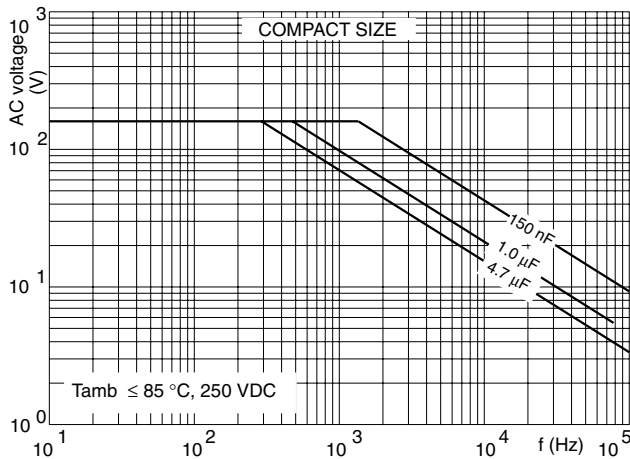
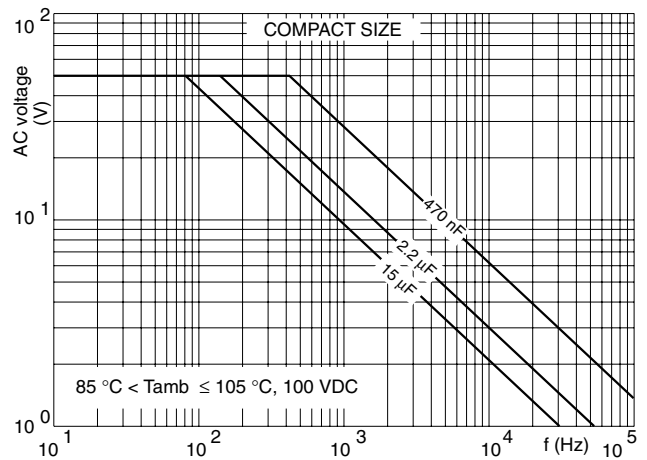
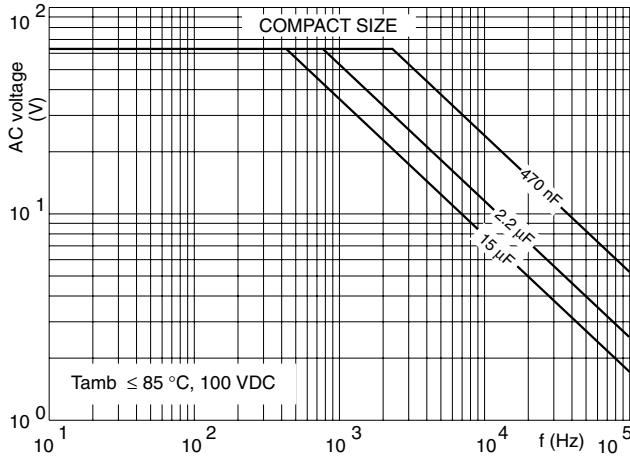
U_{Rdc} = 400 V, U_{Rac} = 220 V (standard size)

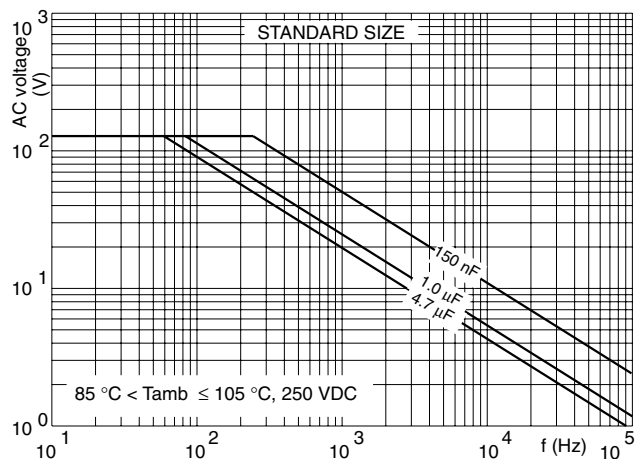
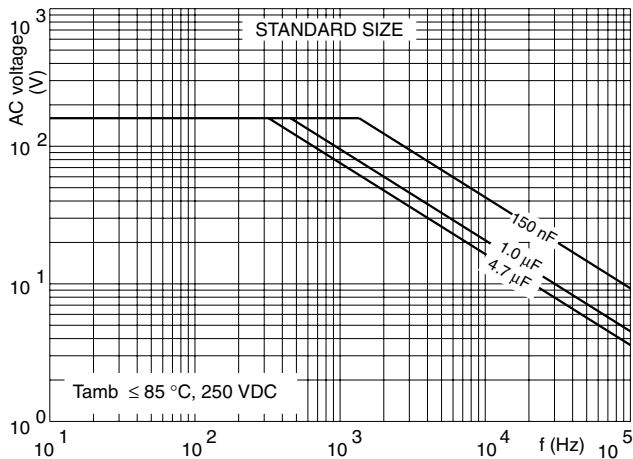
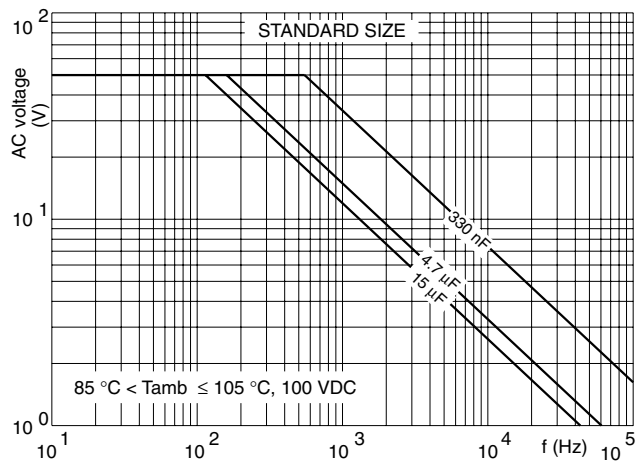
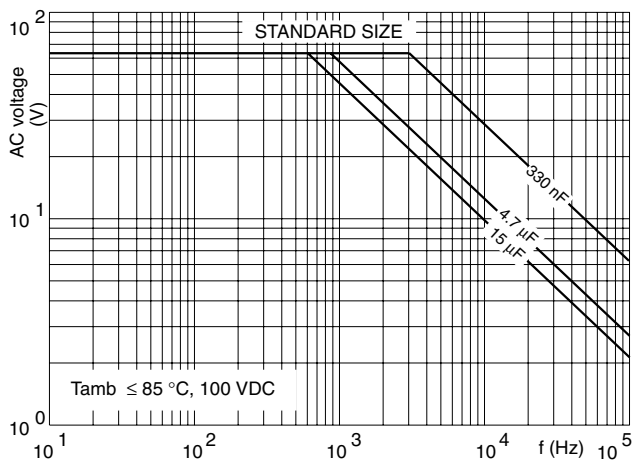
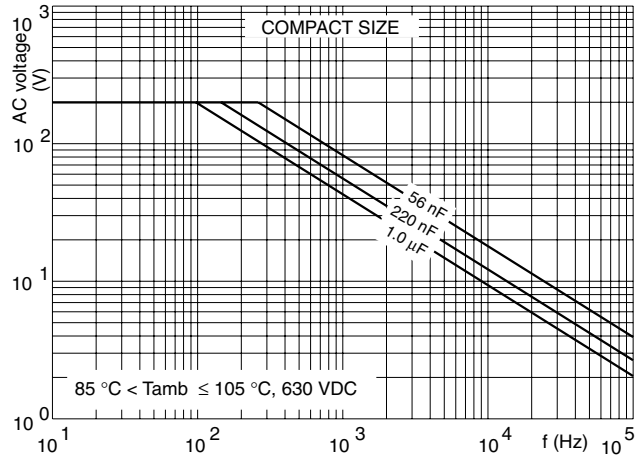
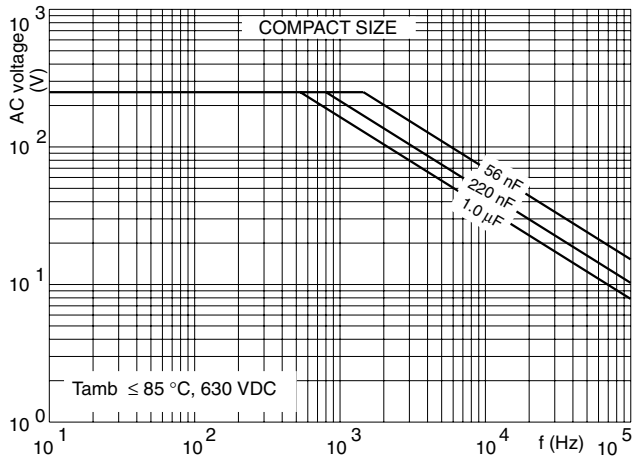
C (μ F)	DIMENSIONS w × h × l (mm)	MASS (g)	CATALOG NUMBER 2222 373 AND PACKAGING				
			LOOSE IN BOX		REEL		
			It = 5.0 ± 1.0 mm			SPQ	SPQ
			C-tol = ± 10 %		LAST 5 DIGITS OF CATALOG NUMBER		
Pitch = 15.0 ± 0.4 mm; d_t = 0.60 ± 0.06 mm							
0.047 0.056 0.068 0.082 0.1	5.0 × 11.0 × 17.5	1.1	51473 51563 51683 51823 51104	1000	1100		
0.12 0.15	6.0 × 12.0 × 17.5	1.4	51124 51154	1000	900		
Pitch = 15.0 ± 0.4 mm; d_t = 0.80 ± 0.08 mm							
0.18 0.22	7.0 × 13.5 × 17.5	1.9	51184 51224	1000	800		
0.27 0.33	8.5 × 15.0 × 17.5	2.6	51274 51334	1000	650		
Pitch = 22.5 ± 0.4 mm; d_t = 0.80 ± 0.08 mm							
0.39 0.47	8.5 × 18.0 × 26.0	4.4	51394 51474	200	450		
0.56 0.68	10.0 × 19.5 × 26.0	4.4 5.5	51564 51684	200	350		
Pitch = 27.5 ± 0.4 mm; d_t = 0.80 ± 0.08 mm							
0.82 1	11.0 × 21.0 × 31.0	7.8	51824 51105	100			
1.2 1.5	15.0 × 25.0 × 31.0	12.8	51125 51155	100			



Metallized Polyester Film Capacitors Vishay BCcomponents
MKT Radial Potted Type

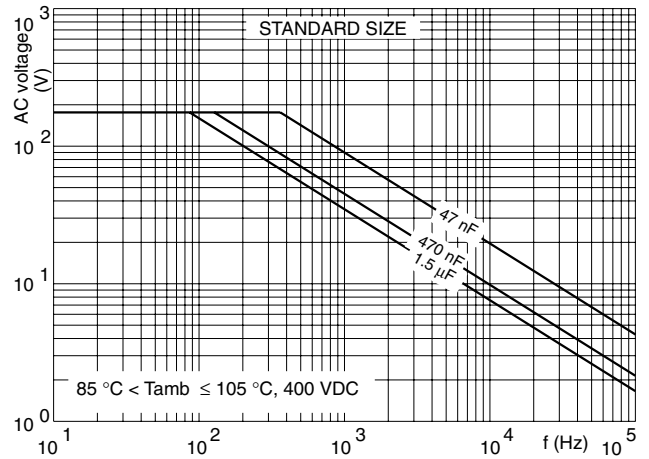
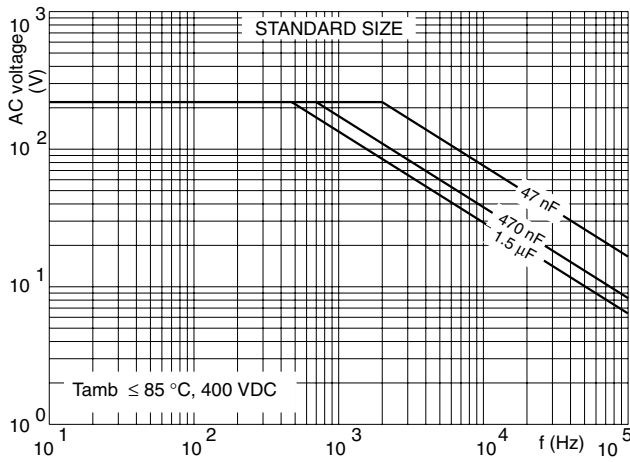
MAXIMUM RMS VOLTAGE (SINEWAVE) AS A FUNCTION OF FREQUENCY



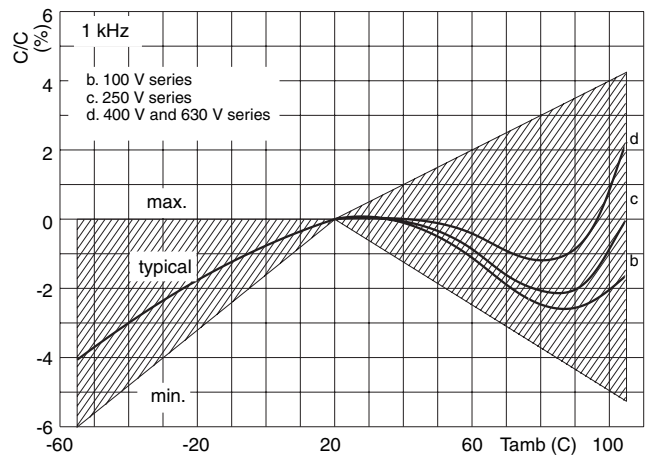
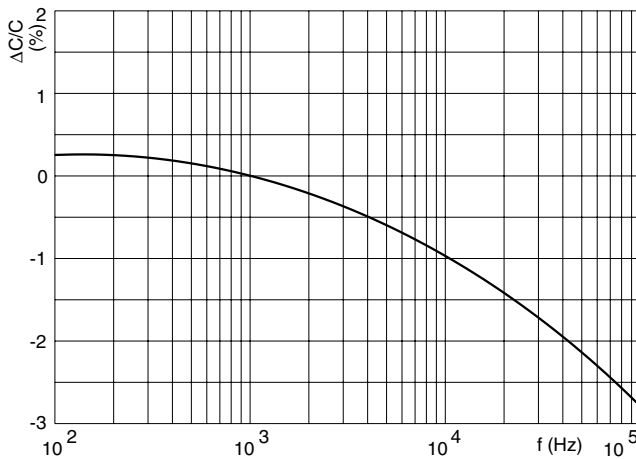




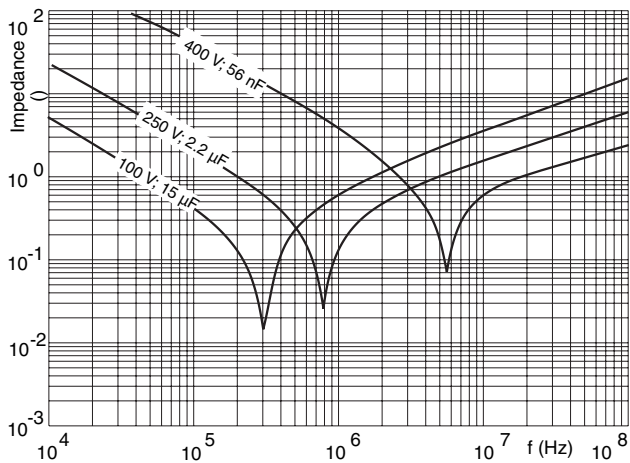
Metallized Polyester Film Capacitors Vishay BCcomponents
MKT Radial Potted Type



CAPACITANCE



IMPEDANCE





Notice

Specifications of the products displayed herein are subject to change without notice. Vishay Intertechnology, Inc., or anyone on its behalf, assumes no responsibility or liability for any errors or inaccuracies.

Information contained herein is intended to provide a product description only. No license, express or implied, by estoppel or otherwise, to any intellectual property rights is granted by this document. Except as provided in Vishay's terms and conditions of sale for such products, Vishay assumes no liability whatsoever, and disclaims any express or implied warranty, relating to sale and/or use of Vishay products including liability or warranties relating to fitness for a particular purpose, merchantability, or infringement of any patent, copyright, or other intellectual property right.

The products shown herein are not designed for use in medical, life-saving, or life-sustaining applications. Customers using or selling these products for use in such applications do so at their own risk and agree to fully indemnify Vishay for any damages resulting from such improper use or sale.